

Liteharbor



LED RETROFIT



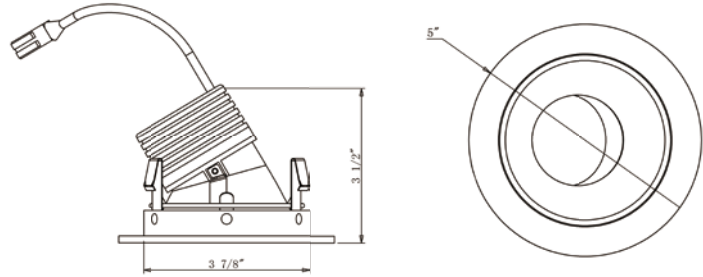
Liteharbor offers the largest selection of high-quality recessed housing, incorporating industry leading performance, features and efficiency. Flat or sloped ceilings; ambient, task or accent lighting; niches or open spaces; Liteharbor has a solution for every conceivable application.

www.liteharbor.com





4" LED Downlight Wall Washer Retrofit



ORDER MATRIX | Example: BWL4001

A	B	C	D	E	F
A	Series				
BWL4001	4" LED Downlight Wall Washer				
B	Power Supply				
	120V				
277	277V				
U	120-277V				
C	Dimmable				
	Non-Dimmable				
DM	Dimmable				
D	LED Available				
Cree	Cree				
Citizen	Citizen				
Epistar	Epistar				
Seoul	Seoul				
Osram	Osram				
E	Lumen Output				
700	700 Lumen				
950	950 Lumen				
F	Color Temperature				
30K	3000K				
40K	4000K				
50K	5000K				

Description

- > All-in-one LED retrofit wall washer trim designed to use with Liteharbor 4 inch recessed residential downlight
- > Provide 50000 hours of life at 70% lumen maintenance
- > No lead or mercury
- > Trim shipped with a medium base socket adapter whip

LED Light Engine

- > Cree true white® technology available
- > CRI>80%
- > Color temperature 3000K-5000K
- > Rated for 50000 hours at 70% lumen output

Driver

- > Dedicated 120 volt driver
- > Power factor >0.9
- > Dimmable to 10% with most brand dimmers
- > Rated for 50 to 60Hz at 120V/277V input
- > Produces less than 20% THD

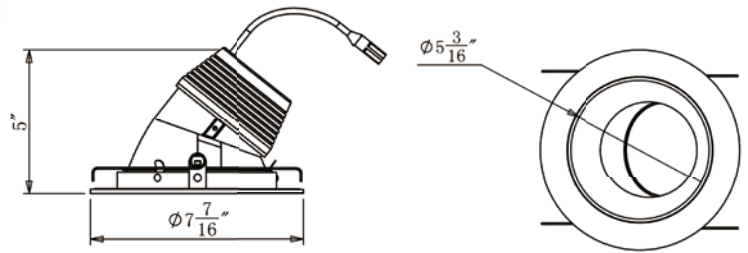
Input Power	Lumens
9W	700LM
12W	950LM

Listing & Warranty

- > ETL listed to US and Canadian standards for wet locations
- > 5-Year Limited Warranty



6" LED Downlight Wall Washer Retrofit



ORDER MATRIX | Example: BWL6001

A	B	C	D	E	F
A	Series				
BWL6001	6" LED Downlight Wall Washer				
B	Power Supply				
	120V				
277	277V				
U	120-277V				
C	Dimmable				
	Non-Dimmable				
DM	Dimmable				
D	LED Available				
Cree	Cree				
Citizen	Citizen				
Epistar	Epistar				
Seoul	Seoul				
Osram	Osram				
E	Lumen Output				
1100	1100 Lumen				
1400	1400 Lumen				
F	Color Temperature				
30K	3000K				
40K	4000K				
50K	5000K				

Description

- All-in-one LED retrofit wall washer trim designed to use with Liteharbor 6 inch recessed residential downlight
- Provide 50000 hours of life at 70% lumen maintenance
- No lead or mercury
- Trim shipped with a medium base socket adapter whip

LED Light Engine

- Cree true white® technology available
- CRI>80%
- Color temperature 3000K-5000K
- Rated for 50000 hours at 70% lumen output

Driver

- Dedicated 120 volt driver
- Power factor >0.9
- Dimmable to 10% with most brand dimmers
- Rated for 50 to 60Hz at 120V/277V input
- Produces less than 20% THD

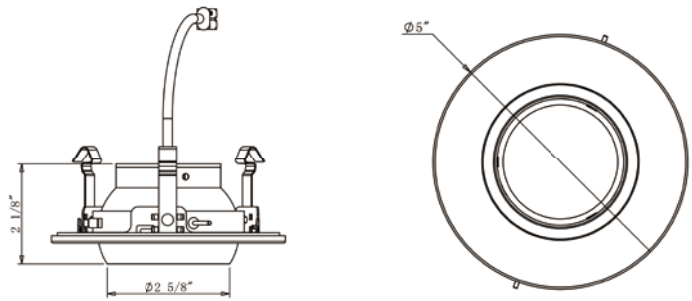
Input Power	Lumens
14W	1100LM
18W	1400LM

Listing & Warranty

- ETL listed to US and Canadian standards for wet locations
- 5-Year Limited Warranty



4" LED Downlight Eyeball Retrofit



ORDER MATRIX | Example: BEL4001

A	B	C	D	E	F
A	Series				
BEL4001	4" LED Downlight Eyeball				
B	Power Supply				
	120V				
277	277V				
U	120-277V				
C	Dimmable				
	Non-Dimmable				
DM	Dimmable				
D	LED Available				
Cree	Cree				
Citizen	Citizen				
Epistar	Epistar				
Seoul	Seoul				
Osram	Osram				
E	Lumen Output				
700	700 Lumen				
950	950 Lumen				
F	Color Temperature				
30K	3000K				
40K	4000K				
50K	5000K				

Description

- All-in-one LED retrofit eyeball trim designed to use with Liteharbor 4 inch recessed residential downlight
- Allows for 30° vertical adjustment
- Provide 50000 hours of life at 70% lumen maintenance
- No lead or mercury
- Trim shipped with a medium base socket adapter whip

LED Light Engine

- Cree true white® technology available
- CRI>80%
- Color temperature 3000K-5000K
- Rated for 50000 hours at 70% lumen output

Driver

- Dedicated 120 volt driver
- Power factor >0.9
- Dimmable to 10% with most brand dimmers
- Rated for 50 to 60Hz at 120V/277V input
- Produces less than 20% THD

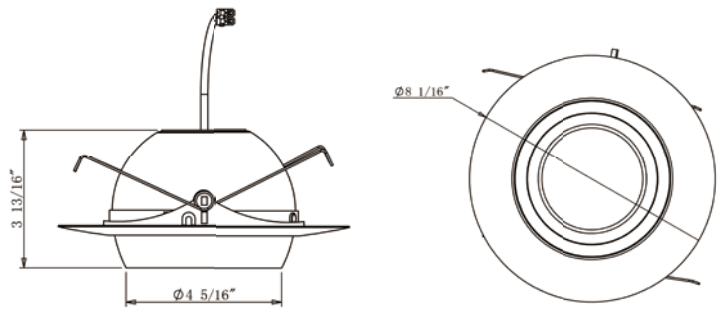
Input Power	Lumens
9W	700LM
12W	950LM

Listing & Warranty

- ETL listed to US and Canadian standards for wet locations
- 5-Year Limited Warranty



6" LED Downlight Eyeball Retrofit



ORDER MATRIX | Example: BEL6001

A	B	C	D	E	F
A	Series				
BEL6001	6" LED Downlight Eyeball				
B	Power Supply				
	120V				
277	277V				
U	120-277V				
C	Dimmable				
	Non-Dimmable				
DM	Dimmable				
D	LED Available				
Cree	Cree				
Citizen	Citizen				
Epistar	Epistar				
Seoul	Seoul				
Osram	Osram				
E	Lumen Output				
1100	1100 Lumen				
1400	1400 Lumen				
F	Color Temperature				
30K	3000K				
40K	4000K				
50K	5000K				

Description

- All-in-one LED retrofit eyeball trim designed to use with Liteharbor 6 inch recessed residential downlight
- Allows for 30° vertical adjustment
- Provide 50000 hours of life at 70% lumen maintenance
- No lead or mercury
- Trim shipped with a medium base socket adapter whip

LED Light Engine

- Cree true white® technology available
- CRI>80%
- Color temperature 3000K-5000K
- Rated for 50000 hours at 70% lumen output

Driver

- Dedicated 120 volt driver
- Power factor >0.9
- Dimmable to 10% with most brand dimmers
- Rated for 50 to 60Hz at 120V/277V input
- Produces less than 20% THD

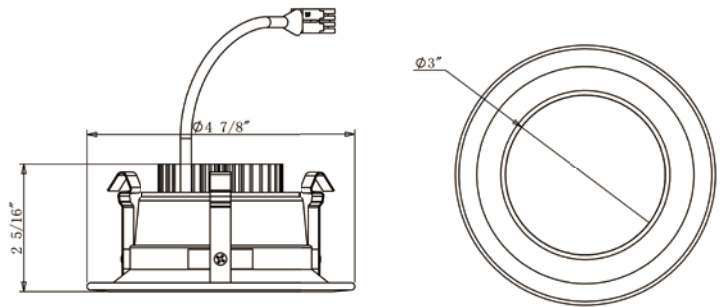
Input Power	Lumens
14W	1100LM
18W	1400LM

Listing & Warranty

- ETL listed to US and Canadian standards for wet locations
- 5-Year Limited Warranty



4" LED Downlight Module Retrofit



ORDER MATRIX | Example: BVL4001

A	B	C	D	E	F
A	Series				
BVL4001	4" LED Downlight Module				
B	Power Supply				
	120V				
277	277V				
U	120-277V				
C	Dimmable				
	Non-Dimmable				
DM	Dimmable				
D	LED Available				
Cree	Cree				
Citizen	Citizen				
Epistar	Epistar				
Seoul	Seoul				
Osram	Osram				
E	Lumen Output				
700	700 Lumen				
950	950 Lumen				
F	Color Temperature				
30K	3000K				
40K	4000K				
50K	5000K				

Description

- All-in-one LED retrofit trim designed to use with Liteharbor 4 inch recessed residential downlight
- Provide 50000 hours of life at 70% lumen maintenance
- No lead or mercury
- Trim shipped with a medium base socket adapter whip
- Available with dedicated Emergency Battery Back-up

LED Light Engine

- Cree true white® technology available
- CRI>80%
- Color temperature 3000K-5000K
- Rated for 50000 hours at 70% lumen output

Driver

- Dedicated 120 volt driver
- Power factor >0.9
- Dimmable to 10% with most brand dimmers
- Rated for 50 to 60Hz at 120V/277V input
- Produces less than 20% THD

Input Power	Lumens
9W	700LM
12W	950LM

Listing & Warranty

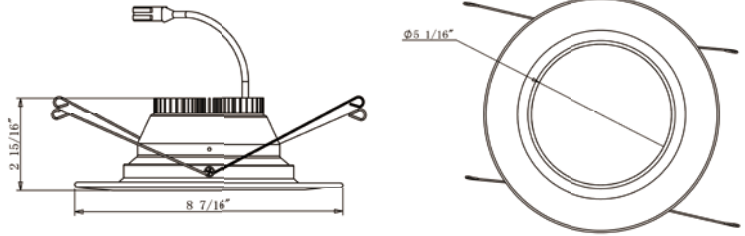
- ETL listed to US and Canadian standards for wet locations
- 5-Year Limited Warranty



ORDER MATRIX | Example: BVL6001

A	B	C	D	E	F
A	Series				
BVL6001	6" LED Downlight Module				
B	Power Supply				
	120V				
277	277V				
U	120-277V				
C	Dimmable				
	Non-Dimmable				
DM	Dimmable				
D	LED Available				
Cree	Cree				
Citizen	Citizen				
Epistar	Epistar				
Seoul	Seoul				
Osram	Osram				
E	Lumen Output				
950	950 Lumen				
1400	1400 Lumen				
F	Color Temperature				
27K	2700K				
40K	4000K				
50K	5000K				

6" LED Downlight Module Retrofit



Description

- All-in-one LED retrofit trim designed to use with Liteharbor 6 inch recessed residential downlight
- Provide 50000 hours of life at 70% lumen maintenance
- No lead or mercury
- Trim shipped with a medium base socket adapter whip
- Available with dedicated Emergency Battery Back-up

LED Light Engine

- Cree true white® technology available
- CRI>80%
- Color temperature 2700K-5000K
- Rated for 50000 hours at 70% lumen output

Driver

- Dedicated 120 volt driver
- Power factor >0.9
- Dimmable to 10% with most brand dimmers
- Rated for 50 to 60Hz at 120V/277V input
- Produces less than 20% THD

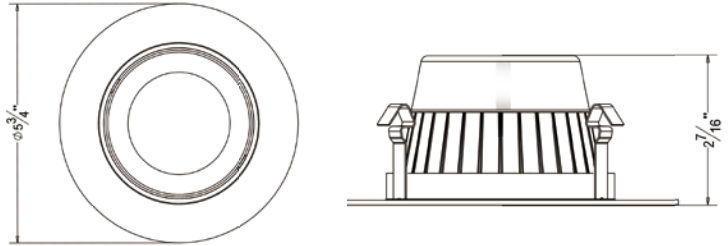
Input Power	Lumens
12W	950LM
18W	1400LM

Listing & Warranty

- ETL listed to US and Canadian standards for wet locations
- 5-Year Limited Warranty



4" LED Downlight Directional Gimbal Retrofit



ORDER MATRIX | Example: RT4004

A	B	C	D	E	F
A	Series				
RT4004	4" LED Downlight Directional Gimbal				
B	Power Supply				
	120V				
277	277V				
U	120-277V				
C	Dimmable				
	Non-Dimmable				
DM	Dimmable				
D	LED Available				
Cree	Cree				
Citizen	Citizen				
Epistar	Epistar				
Seoul	Seoul				
Osram	Osram				
E	Lumen Output				
700	700 Lumen				
950	950 Lumen				
F	Color Temperature				
27K	2700K				
40K	4000K				
60K	6000K				

Description

- All-in-one LED retrofit gimbal trim designed to use with Liteharbor 4 inch recessed residential downlight
- Allows for swivels 30° and rotates 355° adjustment
- Provide 50000 hours of life at 70% lumen maintenance
- No lead or mercury
- Trim shipped with a medium base socket adapter whip
- Available with dedicated Emergency Battery Back-up

LED Light Engine

- Cree true white® technology available
- CRI>80%
- Color temperature 2700K-6000K
- Rated for 50000 hours at 70% lumen output
- No heat, mercury or UV

Driver

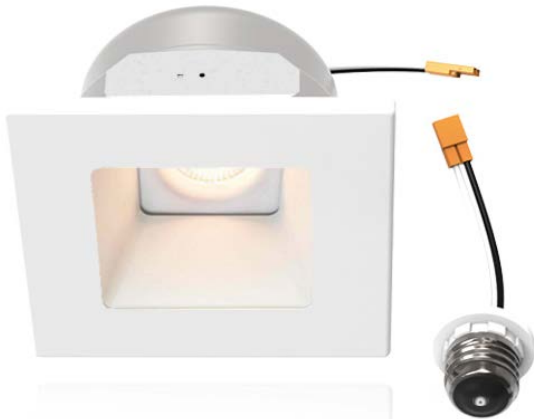
- Dedicated 120 volt driver
- Power factor >0.9
- Dimmable to 10% with most brand dimmers
- Rated for 50 to 60Hz at 120V/277V input
- Produces less than 20% THD

Wattage

Input Power	Lumens
9W	700LM
12W	950LM

Listing & Warranty

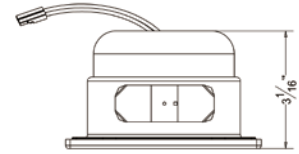
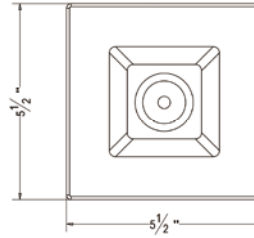
- ETL listed to US and Canadian standards for wet locations
- 5-Year Limited Warranty



ORDER MATRIX | Example: RT4006

A	B	C	D	E	F
A	Series				
RT4006	4" LED Downlight Square				
B	Power Supply				
	120V				
277	277V				
U	120-277V				
C	Dimmable				
	Non-Dimmable				
DM	Dimmable				
D	LED Available				
Cree	Cree				
Citizen	Citizen				
Epistar	Epistar				
Seoul	Seoul				
Osram	Osram				
E	Lumen Output				
650	650 Lumen				
800	800 Lumen				
F	Color Temperature				
27K	2700K				
40K	4000K				
60K	6000K				

4" LED Downlight Square Retrofit



Description

- > With over 1,800 color, trim, and lighting options, the four-part Easy to install and provides you with a fully customizable designer look at an affordable price.
- > Neodymium magnets make it possible to swap in different light engine, reflector, and trim elements — no tools required.
- > 650LM/ 800LM, comparable light output to 60W/ 75W halogen lamp
- > The LEDs offer energy efficiency with an average life of 50000 hours.

LED Light Engine

- > Cree true white® technology available
- > CRI>90%
- > Color temperature 2700K-6000K
- > Rated for 50000 hours at 70% lumen output

Wattage

Input Power	Lumens
10W (+/- 5%)	650LM
12W (+/- 5%)	800LM

Listing & Warranty

- > ETL listed to US and Canadian standards for wet locations
- > 5-Year Limited Warranty



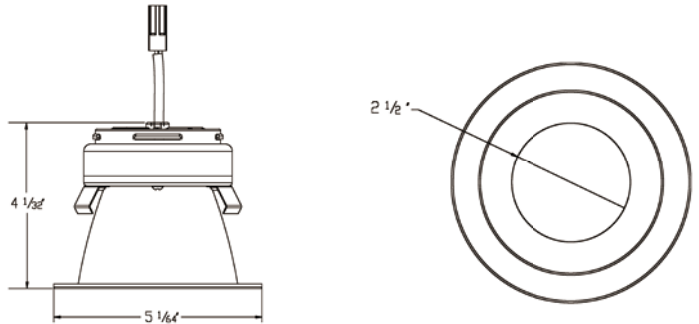
Shown With White Light Engine, Round Reflector And Round Trim



Shown With White Light Engine, Square Reflector And Square Trim



4" LED Downlight Deep Reflector Retrofit



ORDER MATRIX | Example: BCL4001-SF

A	B	C	D	E	F
A	Series				
BCL4001-SF	4" LED Downlight Deep Reflector				
B	Power Supply				
	120V				
277	277V				
U	120-277V				
C	Dimmable				
	Non-Dimmable				
DM	Dimmable				
D	LED Available				
Cree	Cree				
Citizen	Citizen				
Epistar	Epistar				
Seoul	Seoul				
Osram	Osram				
E	Lumen Output				
700	700 Lumen				
950	950 Lumen				
F	Color Temperature				
30K	3000K				
40K	4000K				
50K	5000K				

ORDER MATRIX

A	B	C
A	Trim	
SF	Self Flanged	
SFW	Self Flanged White	
B	Reflector Finish	
CL	Clear	
HZ	Haze	
WH	White	
C	Lens Type	
CR	Clear Tempered	
SB	Sand Blasted	

Description

- > Eco-friendly no lead or mercury
- > Compatible with Liteharbor 4 inch recessed downlight
- > Designed to last a minimum 50,000 hours at L70
- > Dimmable to 10% with most brand dimmers

Reflector

- > Reflector is designed to gather the light scattered by the led chip and shape it into functional beams that minimize brightness and glare while eliminating lamp image
- > Reflector is high quality available in clear, semi diffuse or white finish. Self flange trim is standard.

Features

- > Deep set LED for superior glare and cut-off
- > Cree True White® technology
- > Comprehensive solution with driver electronics, optics and core thermals
- > Versatile form factor for small-aperture designs

LED Module

- > 700 lumen LED
- > With integral power supply
- > Normal input power: 9W
- > Module lumen output: 950 lm
- > CRI: 80+
- > CCT: 3000K-5000K
- > 950 lumen LED
- > With integral power supply
- > Normal input power: 12W
- > Module lumen output: 950 lm
- > CRI: 80+
- > CCT: 3000K-5000K

Mounting

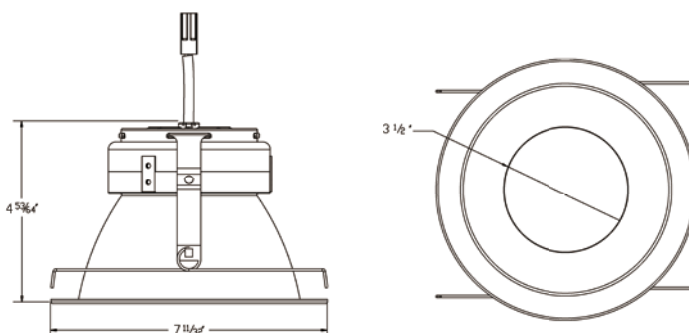
- > Spring clips safely secure LED trim and module to housing.

Listing & Warranty

- > ETL listed to US and Canadian standards for wet locations
- > 5-Year Limited Warranty



6" LED Downlight Deep Reflector Retrofit



ORDER MATRIX | Example: BCL6001-SF

A	B	C	D	E
A	Series			
BCL6001-SF	6" LED Downlight Deep Reflector			
B	Power Supply			
	120V			
277	277V			
U	120-277V			
C	Dimmable			
	Non-Dimmable			
DM	Dimmable			
D	LED Available			
Cree	Cree			
Citizen	Citizen			
Epistar	Epistar			
Seoul	Seoul			
Osram	Osram			
E	Lumen Output			
1100	1100 Lumen			
1400	1400 Lumen			
F	Color Temperature			
30K	3000K			
40K	4000K			
50K	5000K			

ORDER MATRIX

A	B	C
A	Trim	
SF	Self Flanged	
SFW	Self Flanged White	
B	Reflector Finish	
CL	Clear	
HZ	Haze	
WH	White	
C	Lens Type	
CR	Clear Tempered	
SB	Sand Blasted	

Description

- Eco-friendly no lead or mercury
- Compatible with Liteharbor 6 inch recessed downlight
- Designed to last a minimum 50,000 hours at L70
- Dimmable to 10% with most brand dimmers

Reflector

- Reflector is designed to gather the light scattered by the led chip and shape it into functional beams that minimize brightness and glare while eliminating lamp image
- Reflector is high quality available in clear, semi diffuse or white finish. Self flange trim is standard.

Features

- Deep set LED for superior glare and cut-off
- Cree True White® technology
- Comprehensive solution with driver electronics, optics and core thermals
- Versatile form factor for small-aperture designs

LED Module

- 1100 lumen LED
- With integral power supply
- Normal input power: 15W
- Module lumen output: 1100 lm
- CRI: 80+
- CCT: 3000K-5000K
- 1400 lumen LED
- With integral power supply
- Normal input power: 18W
- Module lumen output: 1400 lm
- CRI: 80+
- CCT: 3000K-5000K

Mounting

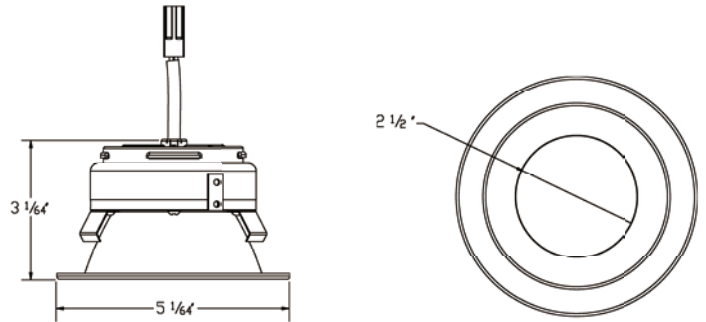
- Torsion spring safely secure LED trim and module to housing.

Listing & Warranty

- ETL listed to US and Canadian standards for wet locations
- 5-Year Limited Warranty



4" LED Downlight Shallow Reflector Retrofit



ORDER MATRIX | Example: BCSL4001-SF

A	B	C	D	E	F
A	Series				
BCSL4001-SF	4" LED Downlight Shallow Reflector				
B	Power Supply				
	120V				
277	277V				
U	120-277V				
C	Dimmable				
	Non-Dimmable				
DM	Dimmable				
D	LED Available				
Cree	Cree				
Citizen	Citizen				
Epistar	Epistar				
Seoul	Seoul				
Osram	Osram				
E	Lumen Output				
700	700 Lumen				
950	950 Lumen				
F	Color Temperature				
30K	3000K				
40K	4000K				
50K	5000K				

ORDER MATRIX

A	B	C
A	Trim	
SF	Self Flanged	
SFW	Self Flanged White	
B	Reflector Finish	
CL	Clear	
HZ	Haze	
WH	White	
C	Lens Type	
CR	Clear Tempered	
SB	Sand Blasted	

Description

- Eco-friendly no lead or mercury
- Compatible with Liteharbor 4 inch recessed downlight
- Designed to last a minimum 50,000 hours at L70
- Dimmable to 10% with most brand dimmers

Reflector

- Reflector is designed to gather the light scattered by the led chip and shape it into functional beams that minimize brightness and glare while eliminating lamp image
- Reflector is high quality available in clear, semi diffuse or white finish. Self flange trim is standard.

Features

- Deep set LED for superior glare and cut-off
- Cree True White® technology
- Comprehensive solution with driver electronics, optics and core thermals
- Versatile form factor for small-aperture designs

LED Module

- 700 lumen LED
- With integral power supply
- Normal input power: 9W
- Module lumen output: 950 lm
- CRI: 80+
- CCT: 3000K-5000K
- 950 lumen LED
- With integral power supply
- Normal input power: 12W
- Module lumen output: 950 lm
- CRI: 80+
- CCT: 3000K-5000K

Mounting

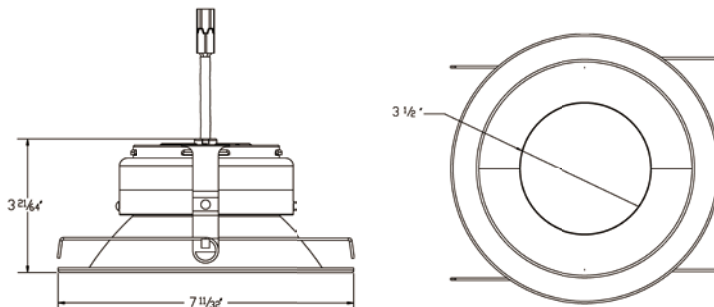
- Spring clips safely secure LED trim and module to housing.

Listing & Warranty

- ETL listed to US and Canadian standards for wet locations
- 5-Year Limited Warranty



6" LED Downlight Shallow Reflector Retrofit



ORDER MATRIX | Example: BCSL6001-SF

	A	B	C	D	E	F
	A	Series				
BCSL6001-SF		6" LED Downlight Shallow Reflector				
	B	Power Supply				
		120V				
277		277V				
U		120-277V				
	C	Dimmable				
		Non-Dimmable				
DM		Dimmable				
	D	LED Available				
Cree		Cree				
Citizen		Citizen				
Epistar		Epistar				
Seoul		Seoul				
Osram		Osram				
	E	Lumen Output				
1100		1100 Lumen				
1400		1400 Lumen				
	F	Color Temperature				
30K		3000K				
40K		4000K				
50K		5000K				

ORDER MATRIX

	A	B	C	
	A	Trim		
SF		Self Flanged		
SFW		Self Flanged White		
	B	Reflector Finish		
CL		Clear		
HZ		Haze		
WH		White		
	C	Lens Type		
CR		Clear Tempered		
SB		Sand Blasted		

Description

- Eco-friendly no lead or mercury
- Compatible with Liteharbor 6 inch recessed downlight
- Designed to last a minimum 50,000 hours at L70
- Dimmable to 10% with most brand dimmers

Reflector

- Reflector is designed to gather the light scattered by the led chip and shape it into functional beams that minimize brightness and glare while eliminating lamp image
- Reflector is high quality available in clear, semi diffuse or white finish. Self flange trim is standard.

Features

- Deep set LED for superior glare and cut-off
- Cree True White® technology
- Comprehensive solution with driver electronics, optics and core thermals
- Versatile form factor for small-aperture designs

LED Module

- | | |
|--------------------------------|--------------------------------|
| ➤ 1100 lumen LED | ➤ 1400 lumen LED |
| ➤ With integral power supply | ➤ With integral power supply |
| ➤ Normal input power: 14W | ➤ Normal input power: 18W |
| ➤ Module lumen output: 1100 lm | ➤ Module lumen output: 1400 lm |
| ➤ CRI: 80+ | ➤ CRI: 80+ |
| ➤ CCT: 3000K-5000K | ➤ CCT: 3000K-5000K |

Mounting

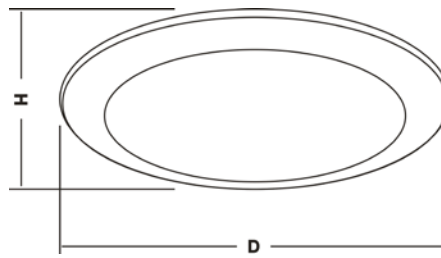
- Torsion spring safely secure LED trim and module to housing.

Listing & Warranty

- ETL listed to US and Canadian standards for wet locations
- 5-Year Limited Warranty



120V LED Low Profile Surface Recessed Disk Light



D=5.9"/7.4"
H=1.26"

ORDER MATRIX | Example: LC1536

A	B	C	D	E	F
A	Series				
LC1536	LED Recessed Disk Light				
B	Power Supply				
	120V				
277	277V				
U	120-277V				
C	Dimmable				
	Non-Dimmable				
DM	Dimmable				
D	LED Available				
Cree	Cree				
Citizen	Citizen				
Epistar	Epistar				
Seoul	Seoul				
Osram	Osram				
E	Lumen Output				
1050	1050 Lumen				
1250	1250 Lumen				
F	Color Temperature				
30K	3000K				
40K	4000K				
50K	5000K				

Description

- > 120V LED disk light provides surface mount light for most construction.
- > It fits most 4 inch junction boxes and can replace 5 inch and 6 inch recessed can lights to eliminate baffles.
- > And it is suitable for use in dry, damp locations indoor/outdoor enclosed applications.

Technical Specifications

- > 120V 60Hz AC operation
- > 15W 36pcs LED chips
- > Light source lumens: 1250; Fixture lumens: 1050
- > Translucent white PC opal diffuser
- > Two mounting screws
- > Philips screw driver sold separately
- > 2-Year limited warranty

This Fixture Can Be Surface Mounted Or Recessed Mounted

Steps For Surface Mounting

- > Before installation, please set two screws in the junction box and do not drive screws to the end of junction box.
- > Plug the white wire from the junction box to the driver white wire connector and plug the black wire to the black wire connector of the driver.
- > Then attach the disk light to the junction box. Plug the grounding wire to the ground connector of the driver.
- > Then use screw driver to drive the screw to the end and make the disk light tightly fix on the junction box.
- > Finally twist diffuser on the disk light metal enclosure and lock the diffuser in place.

Steps For Recessed Mounting

- > Make sure to release E26 lamp base inside can to be replaced by UL listed E26 base adapter and find white and black plug from E26 base adapter.
- > To use wire plug to connect white socket of the LED driver. And connect driver grounding wire in the can grounding screw.
- > Then squeeze the springs of LED disk light to be inserted into the can and it can be done one by one for both sides.
- > To make sure to hook them on the disk light should be pushed on to the surface of the can to make sure that the disk light is attached to the ceiling surface.
- > And then twist the diffuser, which should be locked in the disk metal enclosure and keep the diffuser in place of the disk light surface.