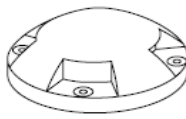
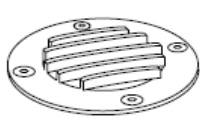
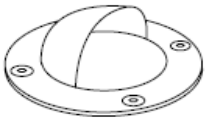
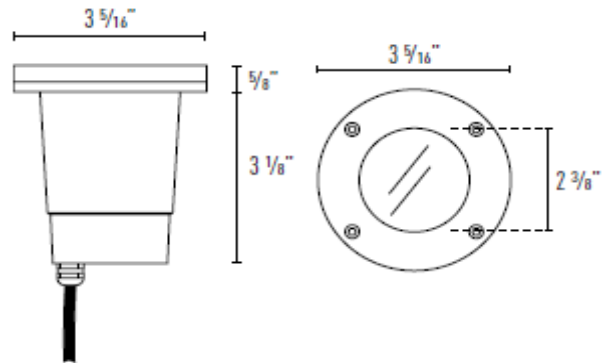


Y0701 IN-GROUND LIGHT

Catalog #		Prepared by	LiteHarbor
Project		Date	
Notes			



HM: Half Moon

RG: Rock Guard

4WIN: 4 Window

Order Matrix

A B C D E F G

Item No.	
----------	--

A	Series
Y0701	Round LED In-Ground Light

B	Finish
ST6	316 Stainless Steel
ST4	304 Stainless Steel
Cu	Solid Brass

C	Beam Spread
14	14° Beam Spread
26	26° Beam Spread

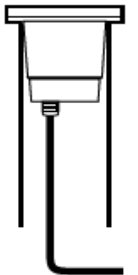
D	Color Temperature
35K	3500K
40K	4000K
60K	6000K

E	Wattage
L3	3W LED
L5	5W LED
H50	50W Halogen

Optional Housing for Direct Burial or Concrete Pour



Y0701H
In-Ground Housing
316 Stainless Steel Collar
For Direct Burial Applications
Height: 6" With Collar



Y0701HLC
Concrete Pour Housing For IVG30/33
316 Stainless Steel Collar
For Concrete Pour Applications
Height: 9 1/4" With Collar

Description:

The Liteharbor stainless steel in-ground series is available in 316 stainless steel or solid brass. The 316 marine grade stainless steel is cold worked and has superior corrosion resistance. Fixture is for use with a remote transformer (not included).

LED Module:

- 3W High Brightness LED
- Color options include neutral white 3500K or cool white 6000K
- Lumen output: 240 initial lumens

IN-GROUND LIGHT



Liteharbor Lighting Technology Co., Ltd.
New Industry Area Hecun Danzao Town
Nanhai Foshan City Guangdong China

TEL: +86-757-8180 8687
FAX: +86-757-8180 8685
E-mail: sales@liteharbor.com

Website: www.liteharbor.com
Specifications subject to change w/o notice
Revision: Jan. 2013

Y0701 IN-GROUND LIGHT

Catalog #		Prepared by	LiteHarbor
Project		Date	
Notes			

- Beam Spread: Available in 14° spot or 26°
- Heat sinking: Integral to the fixture
- L70 50,000 hours

Features:

- 10V - 24V inputs
- Aesthetic appearance
- Easy to maintain
- Impact resistant long life Stainless Steel
- Outdoor Applications only
- 10 ft. Cable standard with water proof entry to fixture

Transformer:

For use with 12/24V-AC remote transformer. Not included.

Finish:

Marine grade 316 stainless steel. Ideal for applications near the coast and other harsh environments. Stainless steel requires regular cleaning to ensure natural look and prevent tarnishing or tea staining.

Installation:

Fixture is for concrete pour or in-ground applications. Optional housing must be ordered separately.

Listing:

ETL listed for wet locations.



F	Accessories
HM	Half Moon
RG	Rock Guard
4WIN	4 Window
SBL	Sand Blasted Lens

G	Optional Housing
0701H	In-Ground
0701HLC	Concrete Pour

Other Special Requirements please Confirm with Factory



IN-GROUND LIGHT



Liteharbor Lighting Technology Co., Ltd.
New Industry Area Hecun Danzao Town
Nanhai Foshan City Guangdong China

TEL: +86-757-8180 8687
FAX: +86-757-8180 8685
E-mail: sales@liteharbor.com

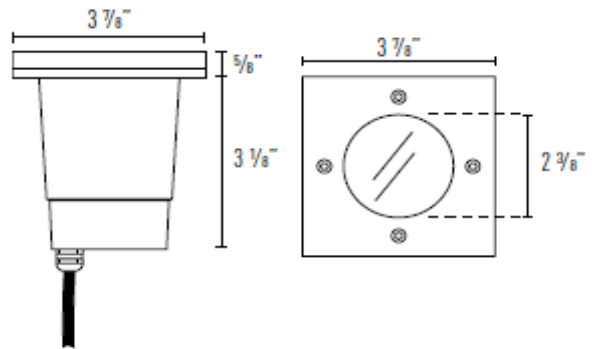
Website: www.liteharbor.com
Specifications subject to change w/o notice
Revision: Jan. 2013

Y0702 IN-GROUND LIGHT

Catalog #		Prepared by	LiteHarbor
Project		Date	
Notes			



IN-GROUND LIGHT



Order Matrix

A B C D E F G

Item No.	
----------	--

A	Series
Y0702	Round LED In-Ground Light

B	Finish
ST6	316 Stainless Steel
ST4	304 Stainless Steel
Cu	Solid Brass

C	Beam Spread
14	14° Beam Spread
26	26° Beam Spread

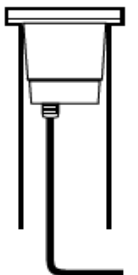
D	Color Temperature
35K	3500K
40K	4000K
60K	6000K

E	Wattage
L3	3W LED
L5	5W LED
H50	50W Halogen

Optional Housing for Direct Burial or Concrete Pour



Y0702H
In-Ground Housing
316 Stainless Steel Collar
For Direct Burial Applications
Height: 6" With Collar



Y0702HLC
Concrete Pour Housing For IVG30/33
316 Stainless Steel Collar
For Concrete Pour Applications
Height: 9 1/4" With Collar

Description:

The Liteharbor stainless steel in-ground series is available in 316 stainless steel or solid brass. The 316 marine grade stainless steel is cold worked and has superior corrosion resistance. Fixture is for use with a remote transformer (not included).

LED Module:

- 3W High Brightness LED
- Color options include neutral white 3500K or cool white 6000K
- Lumen output: 240 initial lumens

IN-GROUND LIGHT



Liteharbor Lighting Technology Co., Ltd.
New Industry Area Hecun Danzao Town
Nanhai Foshan City Guangdong China

TEL: +86-757-8180 8687
FAX: +86-757-8180 8685
E-mail: sales@liteharbor.com

Website: www.liteharbor.com
Specifications subject to change w/o notice
Revision: Jan. 2013

Y0702 IN-GROUND LIGHT

Catalog #		Prepared by	LiteHarbor
Project		Date	
Notes			

- Beam Spread: Available in 14° spot or 26°
- Heat sinking: Integral to the fixture
- L70 50,000 hours

Features:

- 10V - 24V inputs
- Aesthetic appearance
- Easy to maintain
- Impact resistant long life Stainless Steel
- Outdoor Applications only
- 10 ft. Cable standard with water proof entry to fixture

F	Accessories
SBL	Sand Blasted Lens

G	Optional Housing
0701H	In-Ground (160mm)
0701HLC	Concrete Pour (230mm)

Other Special Requirements please Confirm with Factory

Transformer:

For use with 12/24V-AC remote transformer. Not included.

Finish:

Marine grade 316 stainless steel. Ideal for applications near the coast and other harsh environments. Stainless steel requires regular cleaning to ensure natural look and prevent tarnishing or tea staining.

Installation:

Fixture is for concrete pour or in-ground applications. Optional housing must be ordered separately.

Listing:

ETL listed for wet locations.



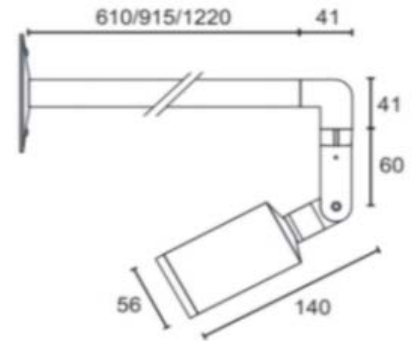
Liteharbor Lighting Technology Co., Ltd.
New Industry Area Hecun Danzao Town
Nanhai Foshan City Guangdong China

TEL: +86-757-8180 8687
FAX: +86-757-8180 8685
E-mail: sales@liteharbor.com

Website: www.liteharbor.com
Specifications subject to change w/o notice
Revision: Jan. 2013

Y0901 SPOT LIGHT

Catalog #		Prepared by	LiteHarbor
Project		Date	
Notes			



Outdoor Aluminum Spot Light

Description

- 1) Available in white, black or bronze die-cast aluminum. 316 stainless steel is also available. Custom finishes available by special order.
- 2) 1" diameter machined aluminum stem with 1/2" NPT threads at each end. Stem length available in 24", 36" and 48" lengths
- 3) 90 degree adapter provides transition from fixture to stem.
- 4) High temperature silicone O-ring set screw provides water tight seal.
- 5) Easy re-lamping with lamp cover secured by a flush tamper-proof aiming and 360 degree of horizontal rotation
- 6) Integral knuckle provides 196 degree of vertical
- 7) Tamper proof socket head screws ensures precise aiming
- 8) Lamp cover is sealed with a static O-ring.
- 9) Tempered glass lens is standard.
- 10) 1/2" pipe thread for mounting to junction box

Installation:

Machined aluminum canopy mounts to standard 3 1/2" octagon junction box or 4" junction box.

Integral Wiring:

18AWG tefl on coated wire 600V rated 250°C

Hardware

Stainless steel tamper-proof screws are flush mounted
Set of allen keys included with every fixture

Order Matrix

A B C D E F G

Item No. Y0901

A Series

Y0901 | Wall/Spot light

B Material & Finish

B Aluminum/black

W Aluminum/white

BR Aluminum/bronze

SV Aluminum/Silver

ST6 316 Stainless Steel

ST4 304 Stainless Steel

C Stem Length

24 24"

36 36"

48 48"

D Lamp

MR16 | MR16

GU10 | GU10

E Light Source & Wattage

L3 | LED 3W

H50 | Halogen 50W

SPOT LIGHT



Liteharbor Lighting Technology Co., Ltd.

New Industry Area Hecun Danzao Town
Nanhai Foshan City Guangdong China

TEL: +86-757-8180 8687

FAX: +86-757-8180 8685

E-mail: sales@liteharbor.com

Website: www.liteharbor.com

Specifications subject to change w/o notice

Revision: Jan. 2013

Y0901 SPOT LIGHT

Catalog #		Prepared by	LiteHarbor
Project		Date	
Notes			

Accessories

- 1) Lens cap accommodates accessory holder LH3.
Allows the use of up-to (3)1-5/8" media/color filters.
Must order separately.
- 2) IPV100 directional shield provides 45 degree cutoff
Available in aluminum or stainless steel

E	Color Temperature(LED)
27K	2700K
30K	3000K
35K	3500K
60K	6000K

Lamp

1) Low voltage Halogen

MR16 lamp 12V 50W max GU5.3 socket

F	Accessories
IPV100	45° Cutoff directional shield

2) MR16 LED

3W High brightness LED

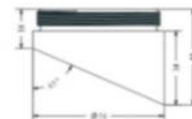
Heat sinking: Integral to the fixture

Color temperature do at customers' needs

G	Accessories
IPV100	45° Cutoff directional shield

Other Special Requirements please Confirm with Factory

3)Line Voltage GU10 lamp is also Available



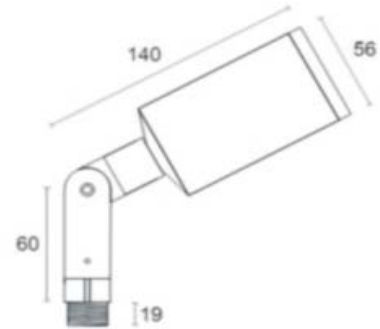
Liteharbor Lighting Technology Co., Ltd.
New Industry Area Hecun Danzao Town
Nanhai Foshan City Guangdong China

TEL: +86-757-8180 8687
FAX: +86-757-8180 8685
E-mail: sales@liteharbor.com

Website: www.liteharbor.com
Specifications subject to change w/o notice
Revision: Jan. 2013

Y0902 SPOT LIGHT

Catalog #		Prepared by	LiteHarbor
Project		Date	
Notes			



Outdoor Aluminum Spot Light

Description

- 1) Available in white, black or bronze die-cast aluminum. 316 stainless steel is also available
Custom finishes available by special order.
- 2) 1" diameter machined aluminum stem with 1/2" NPT threads at each end. Stem length available in 24", 36" and 48" lengths
- 3) 90 degree adapter provides transition from fixture to stem.
- 4) High temperature silicone O-ring set screw provides water tight seal.
- 5) Easy re-lamping with lamp cover secured by a flush tamper-proof aiming and 360 degree of horizontal rotation
- 6) Integral knuckle provides 196 degree of vertical
- 7) Tamper proof socket head screws ensures precise aiming
- 8) Lamp cover is sealed with a static O-ring.
- 9) Tempered glass lens is standard.
- 10) 1/2" pipe thread for mounting to junction box

Integral Wiring

18AWG teflon coated wire 600V rated 250°C

Hardware

Stainless steel tamper-proof screws are flush mounted
Set of allen keys included with every fixture

Accessories

- 1) Lens cap accommodates accessory holder LH3.
Allows the use of up-to (3) 1-5/8" media/color filters.
Must order separately.

Order Matrix

A B C D E F G

Item No. Y0902	
-----------------------	--

A	Series
Y0902	Spot light

B	Material & Finish
B	Aluminum/black
W	Aluminum/white
BR	Aluminum/bronze
SV	Aluminum/Silver
ST6	316 Stainless Steel
ST4	304 Stainless Steel

C	Stem Length
24	24"
36	36"
48	48"

D	Lamp
MR16	MR16
GU10	GU10
E	Wattage
L3	LED 3W
H50	Halogen 50W
M20	HID Metal Halide 20W

SPOT LIGHT



Liteharbor Lighting Technology Co., Ltd.
New Industry Area Hecun Danzao Town
Nanhai Foshan City Guangdong China

TEL: +86-757-8180 8687

FAX: +86-757-8180 8685

E-mail: sales@liteharbor.com

Website: www.liteharbor.com

Specifications subject to change w/o notice

Revision: Jan. 2013

Y0902 SPOT LIGHT

Catalog #		Prepared by	LiteHarbor
Project		Date	
Notes			

2) IPV100 directional shield provides 45 degree cutoff
Available in aluminum or stainless steel

Lamp

1) Low voltage Halogen

MR16 lamp 12V 50W max GU5.3 socket

For use with 12V-AC remote transformer. Not included

2) MR16 LED

3W High brightness LED

Heat sinking: Integral to the fixture

Color temperature do at customers' needs

For use with 12V-AC remote transformer. Not included

3) HID Metal Halide

20W MR16MH GX10 Base

39W MR16MH GX10 Base

Remote Ballast:

Universal input 120V-277V

Maximum mounting distance=50 feet

Minimum starting temperature:-30°C

Maximum case temperature:80°C

Sound rating A

Warranty: up to 5 years

Voltage: Wide range input 108-305VAC

Frequency:50/60Hz

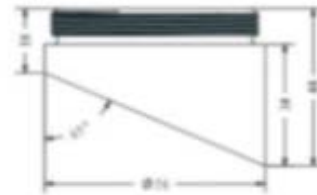
Power factor>95%

4)Line Voltage GU10 lamp is also Available

F	Color Temperature(LED)
27K	2700K
30K	3000K
35K	3500K
60K	6000K

G	Accessories
IPV100	45° Cutoff directional shield

Other Special Requirements please Confirm with Factory



SPOT LIGHT



Liteharbor Lighting Technology Co., Ltd.

New Industry Area Hecun Danzao Town

Nanhai Foshan City Guangdong China

TEL: +86-757-8180 8687

FAX: +86-757-8180 8685

E-mail: sales@liteharbor.com

Website: www.liteharbor.com

Specifications subject to change w/o notice

Revision: Jan. 2013