

Trim or Trimless Residential Mini Multiple Downlight

Catalog #		Prepared by	LiteHarbor
Project		Date	
Notes			



ORDER MATRIX | Example: G4011-E-GU10

<u>A</u>	<u>B</u>	<u>C</u>	<u>D</u>
	A	Series	
G4011-E-GU10		1-Lamp	
G4012-E-GU10		2-Lamp	
G4013-E-GU10		3-Lamp	
G4014-E-GU10		4-Lamp	
G4014-E-S-GU10		4-Lamp	
	B	Input Voltage	
		120V	
	277	277V	
	U	120-277V	
	C	Available Chips	
	Cree	Cree	
	Citizen	Citizen	
	Epistar	Epistar	
	Seoul	Seoul	
	Osram	Osram	

Description

Mini LED Multiple Spots for remodeling and new construction applications for residential and commercial environments. The Multiple Spots are marketed as complete units including the housing and trim. Available as one, two and three-light configurations, each spot is individually adjustable and provides a 30-degree visual cutoff for glare control.

Features

- Individually adjustable luminaries
- Complete unit includes housing & trim
- All housings are Non-IC rated
- 30° vertical tilt, 360° horizontal rotation

Construction

Trim and housing are constructed of Gauge Steel.

Mounting

Supplied with 4 ways hanger bar, adjustable from 14½"-25" to accommodate various joist construction and grid sizes. Hanger bars include a captive mounting "screw-nail" for ease installation. Can be accommodate a 1/2" to 1 1/4" ceiling thickness.

MULTIPLE DOWNLIGHT



Liteharbor Lighting Technology Co., Ltd.

New Industry Area Hecun Danzao Town
Nanhai Foshan City Guangdong China

TEL: +86-757-8180 8675

FAX: +86-757-8180 8685

E-mail: info@liteharbor.com

Website: www.liteharbor.com

Specifications subject to change w/o notice

Revision: Jan. 2015

D	Color Temperature
28K	2800K
30K	3000K
35K	3500K
41K	4100K
60K	6000K

Light Source

High output GU10 LED

Dimming

Dimmable to 10% with most brand dimmers.

Input Voltage	AC 120V/277V 50/60Hz
Rated Power	8W/Lamp
Luminous Efficiency	70 LM/W
Lamp	GU10
Socket	GU10
Color Temperature	2800-6000K
Material	Gauge Steel
CRI	Ra>80

Trimless



Option 1

Universal hollow open flanged design
Strong welding make a stable structure



Option 2

Special closed flanged design without seeing the body inside
One forming without welding spot make a better effect overall



MULTIPLE DOWNLIGHT



Liteharbor Lighting Technology Co., Ltd.

New Industry Area Hecun Danzao Town
Nanhai Foshan City Guangdong China

TEL: +86-757-8180 8675

FAX: +86-757-8180 8685

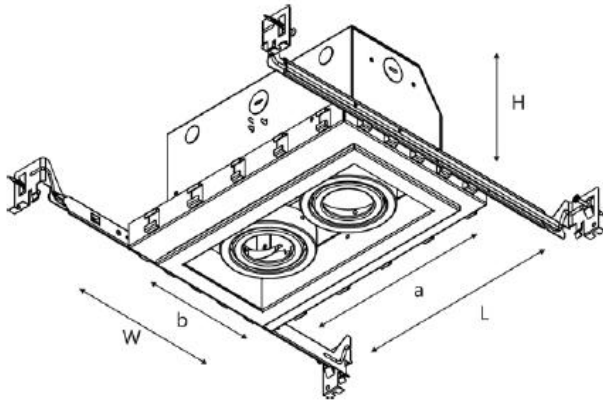
E-mail: info@liteharbor.com

Website: www.liteharbor.com

Specifications subject to change w/o notice

Revision: Jan. 2015

Size



1x1 SPOTS

L: 5 7/8"xW: 6 1/4"xH: 5 1/16"
Cut-Out(axb): 4 3/4" x 4 3/4"

1x3 SPOTS

L: 14 1/2"xW: 6 1/4"xH: 5 1/16"
Cut-Out(axb): 13 1/4" x 4 3/8"

1x4 SPOTS

L: 18 7/8"xW: 6 1/4"xH: 5 1/16"
Cut-Out(axb): 17 7/16" x 4 3/8"

1x2 SPOTS

L: 10 9/16"xW: 6 1/4"xH: 5 1/16"
Cut-Out(axb): 8 3/4" x 4 3/8"

2x2 SPOTS

L: 10 15/16"xW: 10 15/16"xH: 5 1/16"
Cut-Out(axb): 8 3/4" x 8 3/4"



Liteharbor Lighting Technology Co., Ltd.

New Industry Area Hecun Danzao Town
Nanhai Foshan City Guangdong China

TEL: +86-757-8180 8675

FAX: +86-757-8180 8685

E-mail: info@liteharbor.com

Website: www.liteharbor.com

Specifications subject to change w/o notice

Revision: Jan. 2015