

# G401X-F Multiple Downlight

Catalog #		Prepared by	LiteHarbor
Project		Date	
Notes			



G4011-F



G4012-F



G4013-F



## ORDER MATRIX | Example: G4011-F

<u>A</u>	<u>B</u>	<u>C</u>	<u>D</u>
A	Series		
G4011-F	1-Lamp		
G4012-F	2-Lamp		
G4013-F	3-Lamp		
B	Input Voltage		
	120V		
277	277V		
U	120-277V		
C	Available Chips		
Cree	Cree		
Citizen	Citizen		
Epistar	Epistar		
Seoul	Seoul		
Osram	Osram		

### Description

Mini LED Multiple Spots for remodeling and new construction applications for residential and commercial environments. The Multiple Spots are marketed as complete units including the housing and trim (trimless available). Available as one, two and three-light configurations, each spot is individually adjustable and provides a 30-degree visual cutoff for glare control.

### Features

- Individually adjustable luminaries
- Complete unit includes housing & trim
- All housings are Non-IC rated
- 30° vertical tilt, 360° horizontal rotation

### Construction

Trim and housing are constructed of Gauge Steel.

### Junction Box

Seven knockouts and four Romex (R) style wiring connectors provided for ease of installation. Rated for branch wiring.

MULTIPLE DOWNLIGHT



**Liteharbor Lighting Technology Co., Ltd.**  
New Industry Area Hecun Danzao Town  
Nanhai Foshan City Guangdong China

TEL: +86-757-8180 8675  
FAX: +86-757-8180 8685  
E-mail: info@liteharbor.com

Website: www.liteharbor.com  
Specifications subject to change w/o notice  
Revision: Jan. 2015

D	Color Temperature
28K	2800K
30K	3000K
35K	3500K
41K	4100K
60K	6000K

### Light Source

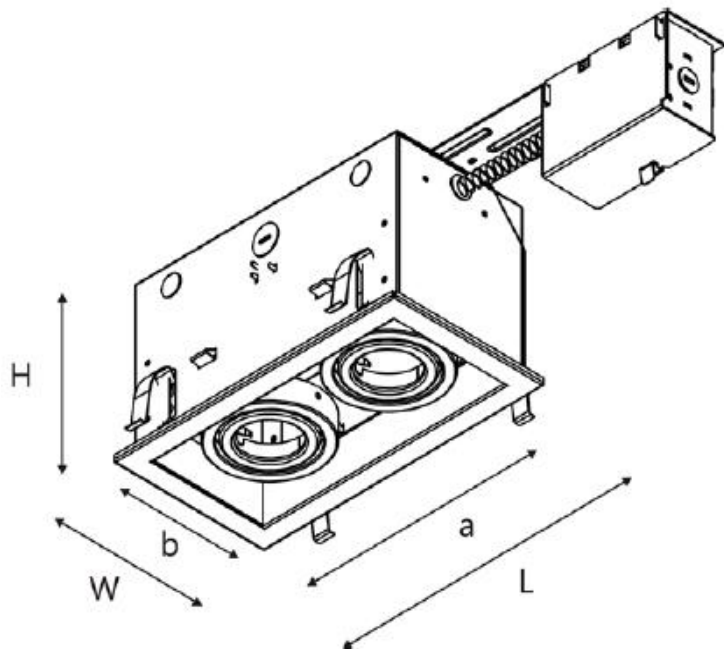
High output GU10 LED

### Dimming

Dimmable to 10% with most brand dimmers.

Input Voltage	AC 120V/277V 50/60Hz
Rated Power	8W/Lamp
Luminous Efficiency	70 LM/W
Lamp	GU10
Socket	GU10
Color Temperature	2800-6000K
Material	Gauge Steel
CRI	Ra>80

### Szie



#### 1x1 SPOTS

L: 12 3/16" x W: 5" x H: 5 1/16"  
Cut-Out(axb): 4 1/4" x 4 1/4"

#### 1x2 SPOTS

L: 16 1/2" x W: 5" x H: 5 1/16"  
Cut-Out(axb): 8 3/4" x 4 1/4"

#### 1x3 SPOTS

L: 19 15/16" x W: 5" x H: 5 1/16"  
Cut-Out(axb): 13" x 4 1/4"



**Liteharbor Lighting Technology Co., Ltd.**

New Industry Area Hecun Danzao Town  
Nanhai Foshan City Guangdong China

TEL: +86-757-8180 8675

FAX: +86-757-8180 8685

E-mail: info@liteharbor.com

Website: www.liteharbor.com

Specifications subject to change w/o notice

Revision: Jan. 2015