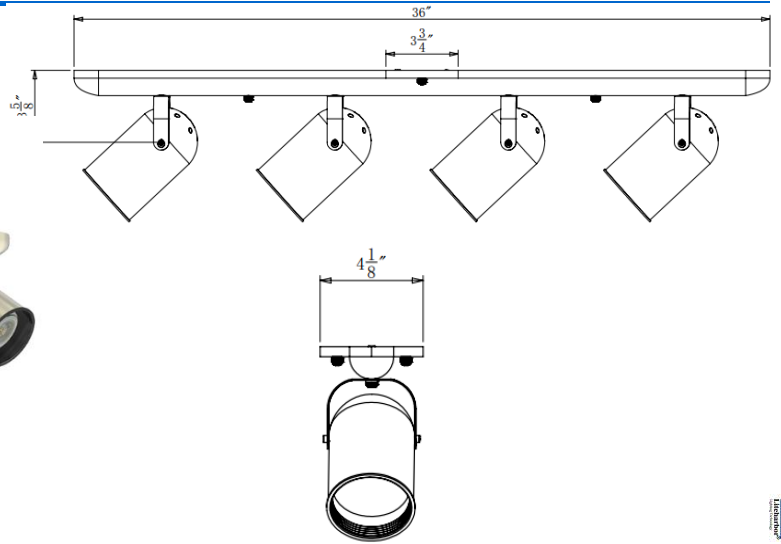


K2553-4C
Line Voltage Round Back Track Light
4 Heads

Catalog #		Prepared by	LiteHarbor
Project		Date	
Notes			



Line Voltage Round Back Track Light 4 Heads

Description

Line voltage die-cast aluminum designer gimbal fixtures with PAR20 light source. Yoke provides full adjustment position of light source for special aiming and dual tightening knobs assure secure lock on angle position.

Features

- 1) Die-cast aluminum provides superior strength and rigidity.
- 2) Low profile, aesthetic design.
- 3) Adjustable yoke for custom aiming.
- 4) One or two circuit track capable.

Housing

Iron / die-cast aluminum construction;
 Gimbal appearance and design features
 All edges are softened for aesthetic appearance.

Yoke

Iron yoke connects fixture housing to electrical contact head. Dual plastic angle tightening knobs maintain clean, decorative appearance of the fixture and provides secure angle position.

A B C D E F

Item No.:K2553-4C

A	Series
K2553-4C	Track Light 4 Heads

B	Wire
02W	2-wire
03W	3-wire
04W	4-wire

C	Finish
BK	Black
WH	White
SN	Satin Nickel



TRACK LIGHTING



Liteharbor Lighting Technology Co., Ltd.
 New Industry Area Hecun Danzao Town
 Nanhai Foshan City Guangdong China

TEL: +86-757-8180 8675
 FAX: +86-757-8180 8685
 E-mail: info@liteharbor.com

Website: www.liteharbor.com
 Specifications subject to change w/o notice
 Revision: Jan. 2015

Finishes

Black, White and Satin Nickel heat rated baked enamel paint. Custom painting or anodizing for special applications is also available.

Custom finishes will require lead times that vary depending on vendor schedule. Please consult factory for quotation.

Wiring

Teflon coated wire lead connects socket and housing to electrical contact head.

Teflon coating is durable and resists heat degradation from lamp and housing radiation.

Lamp

LED PAR20 E26 10W/Lamp Max.

Listing

c-UL-us Listed

D	Mounting
TM	Track Rail Mounting
CM	Canopy Mounting
PM	Pendant Mounting

E	Wattage
L10/Lamp	LED 10W/Lamp

F	Color Temperature
28K	2800K
35K	3500K
50K	5000K



Liteharbor Lighting Technology Co., Ltd.

New Industry Area Hecun Danzao Town
Nanhai Foshan City Guangdong China

TEL: +86-757-8180 8675

FAX: +86-757-8180 8685

E-mail: info@liteharbor.com

Website: www.liteharbor.com

Specifications subject to change w/o notice

Revision: Jan. 2015

OPTIONAL ACCESSORIES



K500

Global Adaptor

Finish: WH/BK



K600

Single/Two Circuit Live End

Finish: WH/BK



K601

Single /Two Circuit End Feed

Finish: WH/BK



K602

Single/Two Circuit Flexible Connector

Finish: WH/BK



K604

T-bar Attachment Clips For T-bar Drop Ceiling

Finish: WH/BK/SN



K605

Single/Two Circuit Floating Canopy

Finish: WH/BK



K606

Single/Two Circuit Live End With Box Cover

Finish: WH/BK



K607

Track End Cap

Finish: WH/BK



K608

Mini Coupling

Finish: WH/BK



K609

Single/Two Circuit T-Connector

Finish: WH/BK



K610

Single Circuit 90° Connector

Finish: WH/BK



K611

Single/Two Circuit X-Connector

Finish: WH/BK



K612

Live End With Cord&Plug

Finish: WH/BK

Available in 2 wire,3 wire,4 wire



K5-3

Single Circuit/Two Circuit Track

Single circuit track is rated for 2400W

features 12-gauge copper conductors and

a separate ground conductor.

Two circuit track includes 12-gauge copper

conductors and features a double load

capacity at 4800W max.

Single/Two Circuit Track is available in

white,black,and satin nickel finishes,and

in 4,6,and 8-foot sizes,and can also be

field cut to your preference.



Liteharbor Lighting Technology Co., Ltd.

New Industry Area Hecun Danzao Town

Nanhai Foshan City Guangdong China

TEL: +86-757-8180 8675

FAX: +86-757-8180 8685

E-mail: info@liteharbor.com

Website: www.liteharbor.com

Specifications subject to change w/o notice

Revision: Jan. 2015