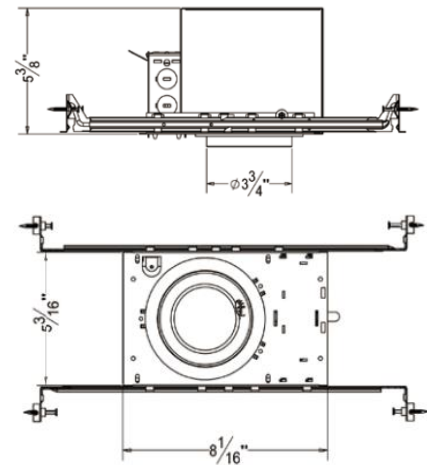


A35-IA
New Construction IC Airtight LED
Recessed Housing

Catalog #		Prepared by	LiteHarbor
Project		Date	
Notes			



3.5" New Construction IC Airtight Housing

Housing

- 1) Die-formed aluminum for maximum heat dissipation and rust protection
- 2) Desinged for New Construction installation
- 3) Housing can be installed in 1/2" to 1-3/8" thick ceilings.

Hanger Bar

- 1) Allow housing to be positioned and locked at any point within a 24" joist span.
- 2) Can be shortened for 12" joists
- 3) Can be positioned on long or short axis of the housing
- 4) Contain integral nail
- 5) Hanger fit onto T-bar spline for quick alignment

Junction Box

- 1) ETL listed for through branch wiring
- 2) 4 in-4 out J-box for your better choices
- 3) Designed for straight through conduit runs
- 4) 1/2" and 3/4" romex wiring knockouts

Lamp

LED GU10 Lamp 8W max. MR16 GU5.3 8W Max. PAR16 E26 8W Max.

Order Matrix

A	B	C	D
----------	----------	----------	----------

Item No.: A35-IA

A	Series
A35-IA	3"/New Construction IC Airtight

B	Input Voltage
	120V
277	277V

C	Wattage
L3	LED 3W
L5	LED 5W

RECESSED DOWNLIGHT



Liteharbor Lighting Technology Co., Ltd.

New Industry Area Hecun Danzao Town
 Nanhai Foshan City Guangdong China

TEL: +86-757-8180 8687

FAX: +86-757-8180 8685

E-mail: info@liteharbor.com

Website: www.liteharbor.com

Specifications subject to change w/o notice

Revision: Jan. 2015

CRI>80%

PF>0.9

Color Temperature:2800K-6500K

Listing

ETL listed for damp location W/Feed through

Other Special requirement please confirm with factory

D	Color Temperature
28K	2800k
35K	3500K
50K	5000K
60K	6000K



RECESSED DOWNLIGHT



Liteharbor Lighting Technology Co., Ltd.

New Industry Area Hecun Danzao Town
Nanhai Foshan City Guangdong China

TEL: +86-757-8180 8687

FAX: +86-757-8180 8685

E-mail: info@liteharbor.com

Website: www.liteharbor.com

Specifications subject to change w/o notice

Revision: Jan. 2015

3.5" TRIM OPTIONS



B35001/3.5 inch Baffle Trim

Lamp: MR16 LED GU5.3 8W Max.
GU10 LED GU10 8W Max.
PAR16 LED E26 8W Max.



B35002/3.5 inch Reflector Trim

Lamp: MR16 LED GU5.3 8W Max.
GU10 LED GU10 8W Max.
PAR16 LED E26 8W Max.



B35003/3.5 inch Eyeball Trim

Lamp: MR16 LED GU5.3 8W Max.
GU10 LED GU10 8W Max.
PAR16 LED E26 8W Max.



B35005/3.5 inch Slot Trim

Lamp: MR16 LED GU5.3 8W Max.
GU10 LED GU10 8W Max.
PAR16 LED E26 8W Max.



B35014/3.5 inch Pinhole Trim

Lamp: MR16 LED GU5.3 8W Max.
GU10 LED GU10 8W Max.
PAR16 LED E26 8W Max.



B35024/3.5 inch Adjustable Trim

Lamp: MR16 LED GU5.3 8W Max.
GU10 LED GU10 8W Max.
PAR16 LED E26 8W Max.



RECESSED DOWNLIGHT



Liteharbor Lighting Technology Co., Ltd.
New Industry Area Hecun Danzao Town
Nanhai Foshan City Guangdong China

TEL: +86-757-8180 8687
FAX: +86-757-8180 8685
E-mail: info@liteharbor.com

Website: www.liteharbor.com
Specifications subject to change w/o notice
Revision: Jan. 2015



B35071/3.5 inch Large Gimbal Trim

Lamp: MR16 LED GU5.3 8W Max.
GU10 LED GU10 8W Max.
PAR16 LED E26 8W Max.



B35602/3.5 inch Shower Trim with Dome Lens

Lamp: MR16 LED GU5.3 6W Max.
GU10 LED GU10 6W Max.
PAR16 LED E26 6W Max.



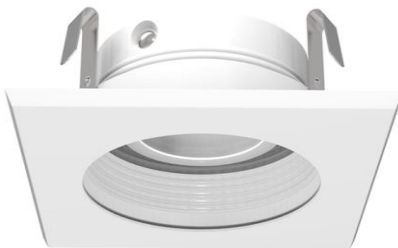
B35802/3.5 inch Shower Trim with Frosted Lens

Lamp: MR16 LED GU5.3 6W Max.
GU10 LED GU10 6W Max.
PAR16 LED E26 6W Max.



B35011/3.5 inch Square Baffle Trim

Lamp: MR16 LED GU5.3 8W Max.
GU10 LED GU10 8W Max.
PAR16 LED E26 8W Max.



BS35001/3.5 inch Square Baffle Trim

Lamp: MR16 LED GU5.3 8W Max.
GU10 LED GU10 8W Max.
PAR16 LED E26 8W Max.



BS35002/3.5 inch Square Reflector Trim

Lamp: MR16 LED GU5.3 8W Max.
GU10 LED GU10 8W Max.
PAR16 LED E26 8W Max.



Liteharbor Lighting Technology Co., Ltd.
New Industry Area Hecun Danzao Town
Nanhai Foshan City Guangdong China

TEL: +86-757-8180 8687
FAX: +86-757-8180 8685
E-mail: info@liteharbor.com

Website: www.liteharbor.com
Specifications subject to change w/o notice
Revision: Jan. 2015



RECESSED DOWNLIGHT



BS35007/3.5 inch Square Gimbal Trim

Lamp: MR16 LED GU5.3 8W Max.

PAR16 LED E26 8W Max.



Liteharbor Lighting Technology Co., Ltd.

New Industry Area Hecun Danzao Town

Nanhai Foshan City Guangdong China

TEL: +86-757-8180 8687

FAX: +86-757-8180 8685

E-mail: info@liteharbor.com

Website: www.liteharbor.com

Specifications subject to change w/o notice

Revision: Jan. 2015

