

**AL35-R2**  
**3.5 inch Remodel Recessed Housing**

<b>Catalog #</b>		<b>Prepared by</b>	LiteHarbor
<b>Project</b>		<b>Date</b>	
<b>Notes</b>			



**3.5 inch Remodel Recessed Housing**

**Housing**

- 1) Die-formed aluminum for maximum heat dissipation and rust protection
- 2) Designed for remodel installations
- 3) Housing can be installed in 1/2" to 1-3/8" thick ceilings.
- 4) Housing is Noc-IC rated must be kept at least 3" away from insulation

**Junction Box**

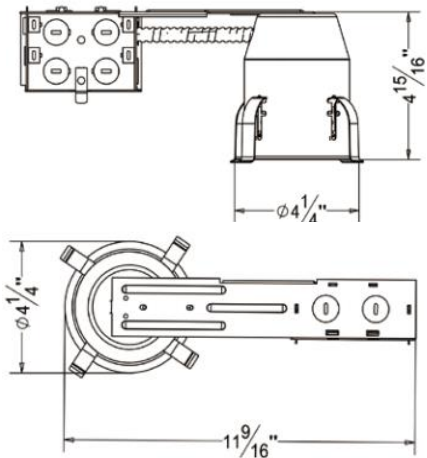
- 1) ETL listed for through branch wiring
- 2) 2 in-2 out or 4 in-4 out J-box for your better choices
- 3) Designed for straight through conduit runs
- 4) 1/2" and 3/4" romex wiring knockouts

**Lamp**

LED GU10 Lamp 8W max. MR16 GU5.3 8W Max. PAR16 E26 8W Max.  
CRI>80%  
PF>0.9  
Color Temperature:2800K-6500K

**Listing**

ETL listed for damp location W/Feed through  
**Other Special requirement please confirm with factory**



**Order Matrix**

<b>A</b>	<b>B</b>	<b>C</b>	<b>D</b>
----------	----------	----------	----------

<b>Item No.:</b> A35-R2
-------------------------

<b>A</b>	Series
A35-R2	3.5"/Remodel Non-IC Housing

<b>B</b>	Input Voltage
	120V
277	277V

<b>C</b>	Wattage
L3	LED 3W
L5	LED 5W

<b>D</b>	Color Temperature
35K	3500K
50K	5000K
60K	6000K



Recessed Downlight



**Liteharbor Lighting Technology Co., Ltd.**  
New Industry Area Hecun Danzao Town  
Nanhai Foshan City Guangdong China

TEL: +86-757-8180 8687  
FAX: +86-757-8180 8685  
E-mail: info@liteharbor.com

Website: www.liteharbor.com  
Specifications subject to change w/o notice  
Revision: Jan. 2015

### 3.5" TRIM OPTIONS



#### **B35001/3.5 inch Baffle Trim**

Lamp: MR16 LED GU5.3 8W Max.  
GU10 LED GU10 8W Max.  
PAR16 LED E26 8W Max.



#### **B35002/3.5 inch Reflector Trim**

Lamp: MR16 LED GU5.3 8W Max.  
GU10 LED GU10 8W Max.  
PAR16 LED E26 8W Max.



#### **B35003/3.5 inch Eyeball Trim**

Lamp: MR16 LED GU5.3 8W Max.  
GU10 LED GU10 8W Max.  
PAR16 LED E26 8W Max.



#### **B35005/3.5 inch Slot Trim**

Lamp: MR16 LED GU5.3 8W Max.  
GU10 LED GU10 8W Max.  
PAR16 LED E26 8W Max.



#### **B35014/3.5 inch Pinhole Trim**

Lamp: MR16 LED GU5.3 8W Max.  
GU10 LED GU10 8W Max.  
PAR16 LED E26 8W Max.



#### **B35024/3.5 inch Adjustable Trim**

Lamp: MR16 LED GU5.3 8W Max.  
GU10 LED GU10 8W Max.  
PAR16 LED E26 8W Max.



Recessed Downlight



**Liteharbor Lighting Technology Co., Ltd.**

New Industry Area Hecun Danzao Town  
Nanhai Foshan City Guangdong China

TEL: +86-757-8180 8687

FAX: +86-757-8180 8685

E-mail: info@liteharbor.com

Website: www.liteharbor.com

Specifications subject to change w/o notice

Revision: Jan. 2015



**B35071/3.5 inch Large Gimbal Trim**

Lamp: MR16 LED GU5.3 8W Max.  
GU10 LED GU10 8W Max.  
PAR16 LED E26 8W Max.



**B35602/3.5 inch Shower Trim with Dome Lens**

Lamp: MR16 LED GU5.3 6W Max.  
GU10 LED GU10 6W Max.  
PAR16 LED E26 6W Max.



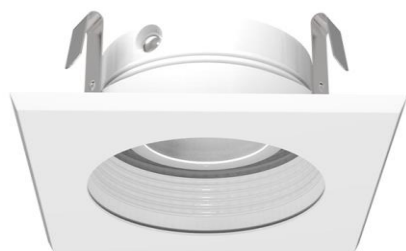
**B35802/3.5 inch Shower Trim with Frosted Lens**

Lamp: MR16 LED GU5.3 6W Max.  
GU10 LED GU10 6W Max.  
PAR16 LED E26 6W Max.



**B35011/3.5 inch Square Baffle Trim**

Lamp: MR16 LED GU5.3 8W Max.  
GU10 LED GU10 8W Max.  
PAR16 LED E26 8W Max.



**BS35001/3.5 inch Square Baffle Trim**

Lamp: MR16 LED GU5.3 8W Max.  
GU10 LED GU10 8W Max.  
PAR16 LED E26 8W Max.



**BS35002/3.5 inch Square Reflector Trim**

Lamp: MR16 LED GU5.3 8W Max.  
GU10 LED GU10 8W Max.  
PAR16 LED E26 8W Max.



*Recessed Downlight*



**Liteharbor Lighting Technology Co., Ltd.**

New Industry Area Hecun Danzao Town  
Nanhai Foshan City Guangdong China

TEL: +86-757-8180 8687

FAX: +86-757-8180 8685

E-mail: info@liteharbor.com

Website: www.liteharbor.com

Specifications subject to change w/o notice

Revision: Jan. 2015



**BS35007/3.5 inch Square Gimbal Trim**

Lamp: MR16 LED GU5.3 8W Max.

PAR16 LED E26 8W Max.



**Liteharbor Lighting Technology Co., Ltd.**

New Industry Area Hecun Danzao Town

Nanhai Foshan City Guangdong China

TEL: +86-757-8180 8687

FAX: +86-757-8180 8685

E-mail: [info@liteharbor.com](mailto:info@liteharbor.com)

Website: [www.liteharbor.com](http://www.liteharbor.com)

Specifications subject to change w/o notice

Revision: Jan. 2015

