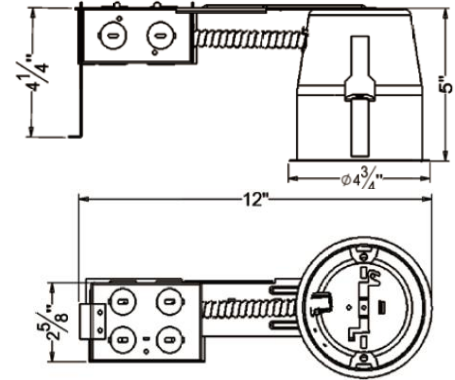


A4-RJ
4 inch Remodel NON-IC Recessed
Housing

Catalog #		Prepared by	LiteHarbor
Project		Date	
Notes			



4 inch Remodel NON-IC Recessed Housing

Housing

- 1) Die-formed aluminum for maximum heat dissipation and rust protection
- 2) Designed for remodel installations
- 3) Housing can be installed in 1/2" to 1-3/8" thick ceilings.
- 4) Housing is Non-IC rated must be kept at least 3" away from insulation

Junction Box

- 1) ETL listed for through branch wiring
- 2) 2 in-2 out or 4 in-4 out J-box for your better choices
- 3) Designed for straight through conduit runs
- 4) 1/2" and 3/4" romex wiring knockouts

Lamp

See trim for max. wattage and lamp
 CRI>80%
 PF>0.9
 Color Temperature:2700K-6500K

Listing

ETL listed for damp location W/Feed through

Order Matrix

A B C D E

Item No.: A4-RJ

A	Series
A4-RJ	4"/Remodel Non-IC Housing

B	Input Voltage
	120V
277	277V

C	Lamp
P16	PAR16
P20	PAR20
R20	R20
GU10	GU10

D	Wattage
L8	LED 8W
L10	LED 10W



Liteharbor Lighting Technology Co., Ltd.
 New Industry Area Hecun Danzao Town
 Nanhai Foshan City Guangdong China

TEL: +86-757-8180 8687
 FAX: +86-757-8180 8685
 E-mail: sales@liteharbor.com

Website: www.liteharbor.com
 Specifications subject to change w/o notice
 Revision: Jan. 2013

RECESSED DOWNLIGHT

Other Special requirement please confirm with factory

E	Color Temperature
27K	2700K
35K	3500K
50K	5000K
60K	6000K



RECESSED DOWNLIGHT



Liteharbor Lighting Technology Co., Ltd.
New Industry Area Hecun Danzao Town
Nanhai Foshan City Guangdong China

TEL: +86-757-8180 8687
FAX: +86-757-8180 8685
E-mail: sales@liteharbor.com

Website: www.liteharbor.com
Specifications subject to change w/o notice
Revision: Jan. 2013

4" TRIM OPTICS



B4001

4" Baffle Trim

Lamp: R20/PAR20 LED E26 10W Max.



B4002

4" Reflector Trim

Lamp: R20/PAR20 LED E26 10W Max.



B4003

4" Eyeball Trim

Lamp: R20/PAR20 LED E26 10W Max.



B4007

4" Large Gimbal Trim

Lamp: R20/PAR20 LED E26 10W Max.



B4012

4" Gimbal Trim

Lamp: R20/PAR20 LED E26 10W Max.



B4301

**4" Shower Baffle Trim with
Fresnel Lens**

Lamp: R20/PAR20 LED E26 8W Max.

Gasket used to prevent moisture
Wet location listed



B4302

**4" Shower Reflector Trim with
Fresnel Lens**

Lamp: R20/PAR20 LED E26 8W Max.

Gasket used to prevent moisture
Wet location listed



B4400

4" Shower Trim with Frosted Lens

Lamp: R20/PAR20 LED E26 8W Max.

Gasket used to prevent moisture
Wet location listed



B4401

**4" Shower Baffle Trim with Sand
Blasted Lens**

Lamp: R20/PAR20 LED E26 8W Max.

Gasket used to prevent moisture
Wet location listed



B4402

**4" Shower Reflector Trim with
Sand Blasted Lens**

Lamp: R20/PAR20 LED E26 8W Max.

Gasket used to prevent moisture
Wet location listed



RECESSED DOWNLIGHT



Liteharbor Lighting Technology Co., Ltd.

New Industry Area Hecun Danzao Town
Nanhai Foshan City Guangdong China

TEL: +86-757-8180 8687

FAX: +86-757-8180 8685

E-mail: info@liteharbor.com

Website: www.liteharbor.com

Specifications subject to change w/o notice

Revision: Jan. 2015



B4501
4" Shower Baffle Trim with Drop Opal

Lamp: R20/PAR20 LED E26 8W Max.
 Gasket used to prevent moisture
 Wet location listed



B4502
4" Shower Reflector Trim with Drop Opal

Lamp: R20/PAR20 LED E26 8W Max.
 Gasket used to prevent moisture
 Wet location listed



B4601
4" Shower Baffle Trim with Dome Lens

Lamp: : R20/PAR20 LED E26 8W Max.
 Gasket used to prevent moisture
 Wet location listed



B4602
4" Shower Reflector Trim with Dome Lens

Lamp: R20/PAR20 LED E26 8W Max.
 Gasket used to prevent moisture
 Wet location listed



B4701
4" Shower Baffle Trim with Frosted Lens Clear in Centre

Lamp: R20/PAR20 LED E26 8W Max.
 Gasket used to prevent moisture
 Wet location listed



B4702
4" Shower Reflector Trim with Frosted Lens Clear in Centre

Lamp: R20/PAR20 LED E26 8W Max.
 Gasket used to prevent moisture
 Wet location listed



B4801
4" Shower Baffle Trim With Frosted Lens

Lamp: R20/PAR20 LED E26 8W Max.
 Gasket used to prevent moisture
 Wet location listed



BD4001
4" Baffle Trim

Lamp: MR16 LED GU5.3 10W Max.
 GU10 LED GU10 10W Max.
 PAR16 LED E26 10W Max.



BD4002
4" Reflector Trim

Lamp: MR16 LED GU5.3 10W Max.
 GU10 LED GU10 10W Max.
 PAR16 LED E26 10W Max.



BD4003
4" Eyeball Trim

Lamp: MR16 LED GU5.3 10W Max.
 GU10 LED GU10 10W Max.
 PAR16 LED E26 10W Max.



RECESSED DOWNLIGHT



Liteharbor Lighting Technology Co., Ltd.
 New Industry Area Hecun Danzao Town
 Nanhai Foshan City Guangdong China

TEL: +86-757-8180 8687
 FAX: +86-757-8180 8685
 E-mail: info@liteharbor.com

Website: www.liteharbor.com
 Specifications subject to change w/o notice
 Revision: Jan. 2015



BD4004

4" Pinhole Trim

Lamp: MR16 LED GU5.3 10W Max.
GU10 LED GU10 10W Max.
PAR16 LED E26 10W Max.



BD4004L

4" Large Pinhole Trim

Lamp: MR16 LED GU5.3 10W Max.
GU10 LED GU10 10W Max.
PAR16 LED E26 10W Max.



BD4005

4" Slot Trim

Lamp: MR16 LED GU5.3 10W Max.
GU10 LED GU10 10W Max.
PAR16 LED E26 10W Max.



BD4007

4" Gimbal Ring Trim

Lamp: MR16 LED GU5.3 10W Max.
GU10 LED GU10 10W Max.
PAR16 LED E26 10W Max.



BD4007L

4" Large Gimbal Ring Trim

Lamp: MR16 LED GU5.3 10W Max.
GU10 LED GU10 10W Max.
PAR16 LED E26 10W Max.



BD4012

4" Gimbal Trim

Lamp: MR16 LED GU5.3 10W Max.
GU10 LED GU10 10W Max.
PAR16 LED E26 10W Max.



BD4009

4" Large Regress Rotating Eyeball Trim

Lamp: MR16 LED GU5.3 10W Max.
GU10 LED GU10 10W Max.
PAR16 LED E26 10W Max.



BD4010

4" Retractable Trim

Lamp: MR16 LED GU5.3 10W Max.
GU10 LED GU10 10W Max.
PAR16 LED E26 10W Max.



BD4014

4" Large Pinhole Trim

Lamp: MR16 LED GU5.3 10W Max.
GU10 LED GU10 10W Max.
PAR16 LED E26 10W Max.



BD4015

4" Slot Baffle Trim

Lamp: MR16 LED GU5.3 10W Max.
GU10 LED GU10 10W Max.
PAR16 LED E26 10W Max.

RECESSED DOWNLIGHT



Liteharbor Lighting Technology Co., Ltd.

New Industry Area Hecun Danzao Town
Nanhai Foshan City Guangdong China

TEL: +86-757-8180 8687

FAX: +86-757-8180 8685

E-mail: info@liteharbor.com

Website: www.liteharbor.com

Specifications subject to change w/o notice

Revision: Jan. 2015



BD4016

4" Wall Wash Trim

Lamp: MR16 LED GU5.3 10W Max.
GU10 LED GU10 10W Max.
PAR16 LED E26 10W Max.



BD4024

4" Pinhole Reflector Trim

Lamp: MR16 LED GU5.3 10W Max.
GU10 LED GU10 10W Max.
PAR16 LED E26 10W Max.



BD4022

4" Accent Angle Cut Reflector Trim

Lamp: MR16 LED GU5.3 10W Max.
GU10 LED GU10 10W Max.
PAR16 LED E26 10W Max.



BD4025

4" Slot Trim with Reflector

Lamp: MR16 LED GU5.3 10W Max.
GU10 LED GU10 10W Max.
PAR16 LED E26 10W Max.



BD4026

4" Wall Wash Trim with Reflector

Lamp: MR16 LED GU5.3 10W Max.
GU10 LED GU10 10W Max.
PAR16 LED E26 10W Max.



BD4301

4" Shower Baffle Trim with Fresnel Lens

Lamp: MR16 LED GU5.3 8W Max.
GU10 LED GU10 8W Max.
PAR16 LED E26 8W Max.
Gasket used to prevent moisture
Wet location listed



BD4302

4" Shower Reflector Trim with Fresnel Lens

Lamp: MR16 LED GU5.3 8W Max.
GU10 LED GU10 8W Max.
PAR16 LED E26 8W Max.
Gasket used to prevent moisture
Wet location listed



BD4326

4" Wall Washer Reflector Trim with Spread Lens

40° Adjustment
Lamp: MR16 LED GU5.3 8W Max.
GU10 LED GU10 8W Max.
PAR16 LED E26 8W Max.
Gasket used to prevent moisture
Wet location listed

RECESSED DOWNLIGHT



Liteharbor Lighting Technology Co., Ltd.

New Industry Area Hecun Danzao Town
Nanhai Foshan City Guangdong China

TEL: +86-757-8180 8687

FAX: +86-757-8180 8685

E-mail: info@liteharbor.com

Website: www.liteharbor.com

Specifications subject to change w/o notice

Revision: Jan. 2015



BD4401

4" Shower Baffle Trim with Albalite

Lamp: MR16 LED GU5.3 8W Max.
GU10 LED GU10 8W Max.
PAR16 LED E26 8W Max.
Gasket used to prevent moisture
Wet location listed



BD4402

4" Shower Reflector Trim with Albalite

Lamp: MR16 LED GU5.3 8W Max.
GU10 LED GU10 8W Max.
PAR16 LED E26 8W Max.
Gasket used to prevent moisture
Wet location listed



BD4501

4" Shower Baffle Trim with Drop opal

Lamp: MR16 LED GU5.3 8W Max.
GU10 LED GU10 8W Max.
PAR16 LED E26 8W Max.
Gasket used to prevent moisture
Wet location listed



BD4502

4" Shower Reflector Trim with Drop opal

Lamp: MR16 LED GU5.3 8W Max.
GU10 LED GU10 8W Max.
PAR16 LED E26 8W Max.
Gasket used to prevent moisture
Wet location listed



BD4601

4" Shower Baffle Trim with Dome Lens

Lamp: MR16 LED GU5.3 8W Max.
GU10 LED GU10 8W Max.
PAR16 LED E26 8W Max.
Gasket used to prevent moisture
Wet location listed



BD4602

4" Shower Reflector Trim with Dome Lens

Lamp: MR16 LED GU5.3 8W Max.
GU10 LED GU10 8W Max.
PAR16 LED E26 8W Max.
Gasket used to prevent moisture
Wet location listed



BD4701

4" Shower Baffle Trim with Frosted Lens Clear in Centre

Lamp: MR16 LED GU5.3 8W Max.
GU10 LED GU10 8W Max.
PAR16 LED E26 8W Max.
Gasket used to prevent moisture
Wet location listed



BD4702

4" Shower Reflector Trim with Frosted Lens Clear in Centre

Lamp: MR16 LED GU5.3 8W Max.
GU10 LED GU10 8W Max.
PAR16 LED E26 8W Max.
Gasket used to prevent moisture
Wet location listed



RECESSED DOWNLIGHT



Liteharbor Lighting Technology Co., Ltd.

New Industry Area Hecun Danzao Town
Nanhai Foshan City Guangdong China

TEL: +86-757-8180 8687

FAX: +86-757-8180 8685

E-mail: info@liteharbor.com

Website: www.liteharbor.com

Specifications subject to change w/o notice

Revision: Jan. 2015



BD4801

4" Shower Baffle Trim with Frosted Lens

Lamp: MR16 LED GU5.3 8W Max.
GU10 LED GU10 8W Max.
PAR16 LED E26 8W Max.
Gasket used to prevent moisture
Wet location listed



BD4802

4" Shower Reflector Trim with Frosted Lens

Lamp: MR16 LED GU5.3 8W Max.
GU10 LED GU10 8W Max.
PAR16 LED E26 8W Max.
Gasket used to prevent moisture
Wet location listed



B4802

4" Shower Reflector Trim With Frosted Lens

Lamp: R20/PAR20 LED E26 8W Max.
Gasket used to prevent moisture
Wet location listed



BD4902

4" Clear Reflector Trim with Drop Glass

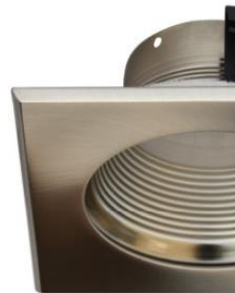
Lamp: MR16 LED GU5.3 8W Max.
GU10 LED GU10 8W Max.
PAR16 LED E26 8W Max.
Gasket used to prevent moisture
Wet location listed



B4011

4" Square Baffle Trim

Lamp: R20/PAR20 LED E26 10W Max.



BS4001

4" Square Baffle Trim

Lamp: R20/PAR20 LED E26 10W Max.



BS4002

4" Square Reflector Trim

Lamp: R20/PAR20 LED E26 10W Max.



BS4007

4" Square Gimbal Trim

Lamp: R20/PAR20 LED E26 8W Max.

RECESSED DOWNLIGHT



Liteharbor Lighting Technology Co., Ltd.

New Industry Area Hecun Danzao Town
Nanhai Foshan City Guangdong China

TEL: +86-757-8180 8687

FAX: +86-757-8180 8685

E-mail: info@liteharbor.com

Website: www.liteharbor.com

Specifications subject to change w/o notice

Revision: Jan. 2015



BS4301

4" Square Shower Baffle Trim with Fresnel Lens

Lamp: R20/PAR20 LED E26 8W Max.

Gasket used to prevent moisture
Wet location listed



BS4302

4" Square Shower Reflector Trim with Fresnel Lens

Lamp: R20/PAR20 LED E26 8W Max.

Gasket used to prevent moisture
Wet location listed



BS4401

4" Square Shower Baffle Trim with Albalite Lens

Lamp: R20/PAR20 LED E26 8W Max.

Gasket used to prevent moisture
Wet location listed



BS4402

4" Square Reflector Trim with Albalite Lens

Lamp: R20/PAR20 LED E26 10W Max.

Gasket used to prevent moisture
Wet location listed



BS4701

4" Square Shower Baffle Trim with Frosted Lens Clear in Centre

Lamp: R20/PAR20 LED E26 10W Max.

Gasket used to prevent moisture
Wet location listed



BS4702

4" Square Shower Reflector Trim with Frosted Lens Clear in Centre

Lamp: R20/PAR20 LED E26 8W Max.

Gasket used to prevent moisture
Wet location listed



BS4801

4" Square Shower Baffle Trim with Frosted Lens

Lamp: R20/PAR20 LED E26 10W Max.

Gasket used to prevent moisture
Wet location listed



BS4802

4" Square Shower Reflector Trim with Frosted Lens

Lamp: R20/PAR20 LED E26 10W Max.

Gasket used to prevent moisture
Wet location listed

RECESSED DOWNLIGHT



Liteharbor Lighting Technology Co., Ltd.

New Industry Area Hecun Danzao Town
Nanhai Foshan City Guangdong China

TEL: +86-757-8180 8687

FAX: +86-757-8180 8685

E-mail: info@liteharbor.com

Website: www.liteharbor.com

Specifications subject to change w/o notice

Revision: Jan. 2015



BD4011

4" Square Baffle Trim

Lamp: MR16 LED GU5.3 10W Max.
GU10 LED GU10 10W Max.
PAR16 LED E26 10W Max.



BD4017

4" Square Retractable Trim

Lamp: MR16 LED GU5.3 10W Max.
GU10 LED GU10 10W Max.
PAR16 LED E26 10W Max.



BDS4001

4" Square Baffle Trim

Lamp: MR16 LED GU5.3 8W Max.
GU10 LED GU10 8W Max.
PAR16 LED E26 8W Max.



BDS4002

4" Square Reflector Trim

Lamp: MR16 LED GU5.3 8W Max.
GU10 LED GU10 8W Max.
PAR16 LED E26 8W Max.



BDS4007

4" Square Gimbal Trim

Lamp: MR16 LED GU5.3 8W Max.
GU10 LED GU10 8W Max.
PAR16 LED E26 8W Max.



BDS4301

4" Square Shower Baffle Trim with Fresnel Lens

Lamp: MR16 LED GU5.3 8W Max.
GU10 LED GU10 8W Max.
PAR16 LED E26 8W Max.
Gasket used to prevent moisture
Wet location listed



BDS4302

4" Square Reflector Trim with Fresnel Lens

Lamp: MR16 LED GU5.3 8W Max.
GU10 LED GU10 8W Max.
PAR16 LED E26 8W Max.
Gasket used to prevent moisture
Wet location listed



BDS4401

4" Square Shower Baffle Trim with Albalite Lens

Lamp: MR16 LED GU5.3 8W Max.
GU10 LED GU10 8W Max.
PAR16 LED E26 8W Max.
Gasket used to prevent moisture
Wet location listed

RECESSED DOWNLIGHT



Liteharbor Lighting Technology Co., Ltd.

New Industry Area Hecun Danzao Town
Nanhai Foshan City Guangdong China

TEL: +86-757-8180 8687

FAX: +86-757-8180 8685

E-mail: info@liteharbor.com

Website: www.liteharbor.com

Specifications subject to change w/o notice

Revision: Jan. 2015



BDS4402

4" Square Shower Reflector Trim with Albalite Lens

Lamp: MR16 LED GU5.3 8W Max.
GU10 LED GU10 8W Max.
PAR16 LED E26 8W Max.
Gasket used to prevent moisture
Wet location listed



BDS4701

4" Square Shower Baffle Trim with Frosted Lens Clear in Centre

Lamp: MR16 LED GU5.3 8W Max.
GU10 LED GU10 8W Max.
PAR16 LED E26 8W Max.
Gasket used to prevent moisture
Wet location listed



BDS4702

4" Square Shower Reflector Trim with Frosted Lens Clear in Centre

Lamp: MR16 LED GU5.3 8W Max.
GU10 LED GU10 8W Max.
PAR16 LED E26 8W Max.
Gasket used to prevent moisture
Wet location listed



BDS4801

4" Square Shower Baffle Trim with Frosted Lens

Lamp: MR16 LED GU5.3 8W Max.
GU10 LED GU10 8W Max.
PAR16 LED E26 8W Max.
Gasket used to prevent moisture
Wet location listed



BDS4802

4" Square Shower Reflector Trim with Frosted Lens

Lamp: MR16 LED GU5.3 8W Max.
GU10 LED GU10 8W Max.
PAR16 LED E26 8W Max.
Gasket used to prevent moisture
Wet location listed



RECESSED DOWNLIGHT



Liteharbor Lighting Technology Co., Ltd.

New Industry Area Hecun Danzao Town
Nanhai Foshan City Guangdong China

TEL: +86-757-8180 8687

FAX: +86-757-8180 8685

E-mail: info@liteharbor.com

Website: www.liteharbor.com

Specifications subject to change w/o notice

Revision: Jan. 2015