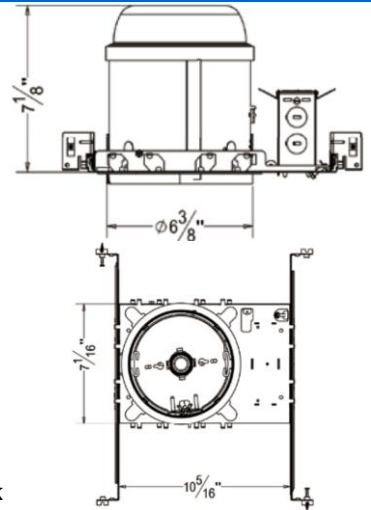


**A6-IA**  
**6 inch New Construction IC Airtight Recessed Housing**

<b>Catalog #</b>		<b>Prepared by</b>		<b>LiteHarbor</b>
<b>Project</b>		<b>Date</b>		
<b>Notes</b>				



**6 inch New Construction IC Airtight Recessed Housing**

**Housing**

- 1) Die-formed aluminum for maximum heat dissipation and rust protection
- 2) Designed for New Construction installation
- 3) Housing can be installed in 1/2" to 1-3/8" thick ceilings.

**Hanger Bar**

- 1) Allow housing to be positioned and locked at any point within a 24" joist span.
- 2) Can be shortened for 12" joists
- 3) Can be positioned on long or short axis of the housing
- 4) Contain integral nail
- 5) Hanger fit onto T-bar spline for quick alignment

**Junction Box**

- 1) ETL listed for through branch wiring
- 2) 4 in-4 out J-box
- 3) Designed for straight through conduit runs
- 4) 1/2" and 3/4" romex wiring knockouts

**Order Matrix**

<b>A</b>	<b>B</b>	<b>C</b>	<b>D</b>	<b>E</b>
----------	----------	----------	----------	----------

<b>Item No.:</b> <b>A6-IA</b>
-------------------------------

<b>A</b> Series
A6-IA 6" New Construction IC Airtight Housing

<b>B</b> Input Voltage
120V
277V

<b>C</b> Lamp
P30 PAR30
P38 PAR38
R30 R30
R40 R40
A19 A19

<b>D</b> Wattage
L12 LED 12W
L18 LED 18W
L24 LED 24W

RECESSED DOWNLIGHT



**Liteharbor Lighting Technology Co., Ltd.**  
 New Industry Area Hecun Danzao Town  
 Nanhai Foshan City Guangdong China

TEL: +86-757-8180 8675  
 FAX: +86-757-8180 8685  
 E-mail: info@liteharbor.com

Website: www.liteharbor.com  
 Specifications subject to change w/o notice  
 Revision: Jan. 2015

**Lamp & Socket**

See Trim for max. wattage and lamp  
CRI>80%  
PF>0.9  
Color Temperature:2800K-6500K

E	Color Temperature
28K	2800k
35K	3500K
50K	5000K
60K	6000K

**Listing**

ETL listed for damp location W/Feed through

Other Special requirement please confirm with factory



RECESSED DOWNLIGHT



**Liteharbor Lighting Technology Co., Ltd.**  
New Industry Area Hecun Danzao Town  
Nanhai Foshan City Guangdong China

TEL: +86-757-8180 8675  
FAX: +86-757-8180 8685  
E-mail: info@liteharbor.com

Website: www.liteharbor.com  
Specifications subject to change w/o notice  
Revision: Jan. 2015

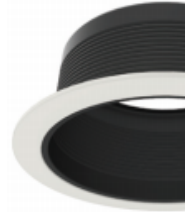
## 6" TRIM OPTICS



**B6001**

**6" Baffle Trim**

**Lamp:** R30/PAR30 LED E26 18W Max.



**B6001L**

**6" Baffle Trim**

**Lamp:** R40/PAR38 LED E26 24W Max.



**B6002**

**6" Reflector Trim**

**Lamp:** R30/PAR30 LED E26 18W Max.



**B6002L**

**6" Reflector Trim**

**Lamp:** R40/PAR38 LED E26 24W Max.



**B6003**

**6" Eyeball Trim**

**Lamp:** R30/PAR30 LED E26 18W Max.



**B6003B**

**6" Eyeball Baffle Trim**

**Lamp:** R30/PAR30 LED E26 18W Max.



**B6007**

**6" Gimbal Ring Trim**

**Lamp:** R30/PAR30 LED E26 18W Max.



**B6007L**

**6" PAR38 Gimbal Ring Trim**

**Lamp:** R40/PAR38 LED E26 24W Max.



**B6011**

**6" Cone Baffle Trim**

**Lamp:** A19 LED E26 12W Max.



**B6012**

**6" Reflector and Baffle Trim**

**Lamp:** A19 LED E26 12W Max.



RECESSED DOWNLIGHT



**Liteharbor Lighting Technology Co., Ltd.**

New Industry Area Hecun Danzao Town

Nanhai Foshan City Guangdong China

TEL: +86-757-8180 8675

FAX: +86-757-8180 8685

E-mail: info@liteharbor.com

Website: www.liteharbor.com

Specifications subject to change w/o notice

Revision: Jan. 2015



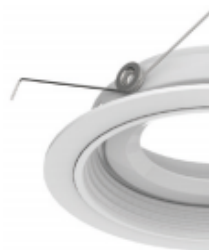
**B6012W**  
**6" Full Reflector Trim**  
**Lamp:** A19 LED E26 12W Max.



**B6013**  
**6" Eyeball and Baffle Trim**  
**Lamp:** R30/PAR30 LED E26 18W Max.



**B6016**  
**6" Wall Wash Baffle Trim**  
**Lamp:** R30/PAR30 LED E26 18W Max.



**B6017**  
**6" Gimbal Ring Trim with Baffle**  
**Lamp:** R30/PAR30 LED E26 18W Max.



**B6017L**  
**6" Adjustable Gimbal Trim with Baffle**  
**Lamp:** R40/PAR38 LED E26 24W Max.



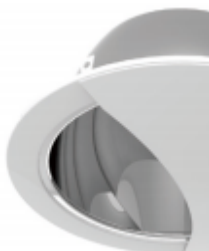
**B6021**  
**6" PAR30 Baffle Trim**  
**Lamp:** R30/PAR30 LED E26 18W Max.



**B6021L**  
**6" PAR38 Baffle Trim**  
**Lamp:** R40/PAR38 LED E26 24W Max.



**B6022**  
**6" Cone Reflector Trim**  
**Lamp:** A19 LED E26 12W Max.



**B6026**  
**6" Wall Wash Reflector Trim**  
**Lamp:** R30/PAR30 LED E26 18W Max.



**B6300**  
**6" Shower Trim with Fresnel Lens**  
**Lamp:** A19 LED E26 12W Max.  
 Gasket used to prevent moisture  
 Wet location listed



RECESSED DOWNLIGHT



**Liteharbor Lighting Technology Co., Ltd.**  
 New Industry Area Hecun Danzao Town  
 Nanhai Foshan City Guangdong China

TEL: +86-757-8180 8675  
 FAX: +86-757-8180 8685  
 E-mail: info@liteharbor.com

Website: www.liteharbor.com  
 Specifications subject to change w/o notice  
 Revision: Jan. 2015



### B6400

#### 6" Shower Trim with Albalite Lens

**Lamp:** A19 LED E26 12W Max.

Gasket used to prevent moisture  
Wet location listed



### B6500

#### 6" Shower Trim with Drop Opal

**Lamp:** A19 LED E26 12W Max.

Gasket used to prevent moisture  
Wet location listed



### B6700

#### 6" Shower Trim with Centre Frosted Lens

**Lamp:** A19 LED E26 12W Max.

Gasket used to prevent moisture  
Wet location listed



### B6800

#### 6" Shower with Frosted Lens

**Lamp:** A19 LED E26 12W Max.

Gasket used to prevent moisture  
Wet location listed



**Liteharbor Lighting Technology Co., Ltd.**

New Industry Area Hecun Danzao Town  
Nanhai Foshan City Guangdong China

TEL: +86-757-8180 8675

FAX: +86-757-8180 8685

E-mail: [info@liteharbor.com](mailto:info@liteharbor.com)

Website: [www.liteharbor.com](http://www.liteharbor.com)

Specifications subject to change w/o notice

Revision: Jan. 2015