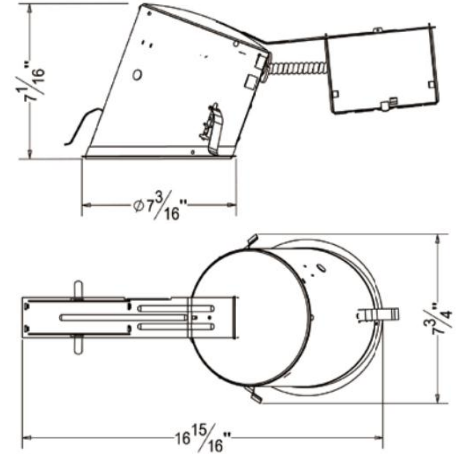


A6-PRIA
6 inch Remodel IC Airtight Slope
Recessed Housing

Catalog #		Prepared by		LiteHarbor
Project		Date		
Notes				



6 inch Remodel IC Airtight Slope Recessed Housing

Housing

- 1) Die-formed aluminum for maximum heat dissipation and rust protection
- 2) Designed for Remodel installation
- 3) Housing can be installed in 1/2" to 1-3/8" thick ceilings.

Junction Box

- 1) ETL listed for through branch wiring
- 2) 4 in-4 out J-box
- 3) Designed for straight through conduit runs
- 4) 1/2" and 3/4" romex wiring knockouts

Lamp

See trim for max. wattage and lamp
 CRI>80%
 PF>0.9
 Color Temperature:2700K-6500K

Listing

ETL listed for damp location W/Feed through

Order Matrix

A B C D E

Item No.:A6-PRIA				
-------------------------	--	--	--	--

	A Series
A6-PRIA	6"/ Remodel IC Airtight Slope Housing

	B Input Voltage
	120V
277	277V

	C Lamp
P30	PAR30
R30	R30

	D Wattage
L12	LED 12W
L18	LED 18W

RECESSED DOWNLIGHT



Liteharbor Lighting Technology Co., Ltd.
 New Industry Area Hecun Danzao Town
 Nanhai Foshan City Guangdong China

TEL: +86-757-8180 8675
 FAX: +86-757-8180 8685
 E-mail: info@liteharbor.com

Website: www.liteharbor.com
 Specifications subject to change w/o notice
 Revision: Jan. 2015

Other Special requirement please confirm with factory

E	Color Temperature
28K	2800k
35K	3500K
50K	5000K
60K	6000K



RECESSED DOWNLIGHT



Liteharbor Lighting Technology Co., Ltd.

New Industry Area Hecun Danzao Town
Nanhai Foshan City Guangdong China

TEL: +86-757-8180 8675

FAX: +86-757-8180 8685

E-mail: info@liteharbor.com

Website: www.liteharbor.com

Specifications subject to change w/o notice

Revision: Jan. 2015

6" TRIM OPTICS



BP6001

6" Slope Trim With Baffle

Lamp: R30/PAR30 LED E26 18W Max.



BP6002

6" Slope Trim With Reflector

Lamp: R30/PAR30 LED E26 18W Max.



RECESSED DOWNLIGHT



Liteharbor Lighting Technology Co., Ltd.

New Industry Area Hecun Danzao Town

Nanhai Foshan City Guangdong China

TEL: +86-757-8180 8675

FAX: +86-757-8180 8685

E-mail: info@liteharbor.com

Website: www.liteharbor.com

Specifications subject to change w/o notice

Revision: Jan. 2015