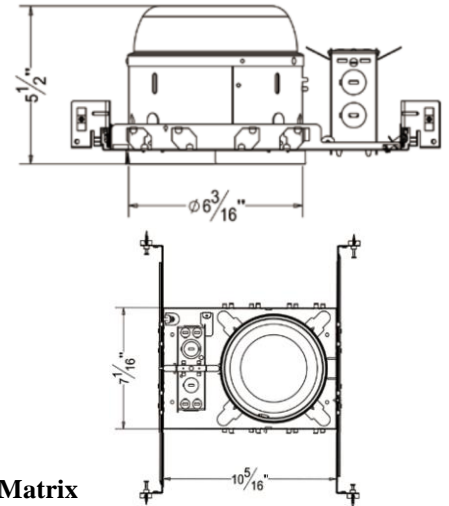


A6-S
6 inch New Construction Non-IC
Shallow Recessed Housing

Catalog #		Prepared by		LiteHarbor
Project		Date		
Notes				



6 inch New Construction Non-IC Shallow Recessed Housing

Housing

- 1) Die-formed aluminum for maximum heat dissipation and rust protection
- 2) Designed for New Construction installation
- 3) Housing can be installed in 1/2" to 1-3/8" thick ceilings.
- 4) Housing is Non-IC rated must be kept at least 3" away from insulation

Hanger Bar

- 1) Allow housing to be positioned and locked at any point within a 24" joist span.
- 2) Can be shortened for 12" joists
- 3) Can be positioned on long or short axis of the housing
- 4) Contain integral nail
- 5) Hanger fit onto T-bar spline for quick alignment

Junction Box

- 1) ETL listed for through branch wiring
- 2) 4 in-4 out J-box
- 3) Designed for straight through conduit runs
- 4) 1/2" and 3/4" romex wiring knockouts

Order Matrix

A B C D E

Item No.:A6-S				
----------------------	--	--	--	--

A	Series
A6-S	6"/ New Construction NON-IC Shallow Housing

B	Input Voltage
	120V
277	277V

C	Lamp
P30	PAR30
P38	PAR38
R30	R30
R40	R40
A19	A19

D	Wattage
L12	LED 12W
L18	LED 18W
L24	LED 24W

RECESSED DOWNLIGHT



Liteharbor Lighting Technology Co., Ltd.
 New Industry Area Hecun Danzao Town
 Nanhai Foshan City Guangdong China

TEL: +86-757-8180 8675
 FAX: +86-757-8180 8685
 E-mail: info@liteharbor.com

Website: www.liteharbor.com
 Specifications subject to change w/o notice
 Revision: Jan. 2015

Lamp & Socket

See Trim for max. wattage and lamp

CRI>80%

PF>0.9

Color Temperature:2800K-6500K

E	Color Temperature
28K	2800k
35K	3500K
50K	5000K
60K	6000K

Listing

ETL listed for damp location W/Feed through

Other Special requirement please confirm with factory



RECESSED DOWNLIGHT



Liteharbor Lighting Technology Co., Ltd.

New Industry Area Hecun Danzao Town

Nanhai Foshan City Guangdong China

TEL: +86-757-8180 8675

FAX: +86-757-8180 8685

E-mail: info@liteharbor.com

Website: www.liteharbor.com

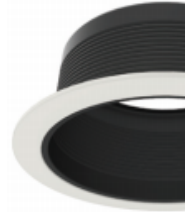
Specifications subject to change w/o notice

Revision: Jan. 2015

6" TRIM OPTICS



B6001
6" Baffle Trim
Lamp: R30/PAR30 LED E26 18W Max.



B6001L
6" Baffle Trim
Lamp: R40/PAR38 LED E26 24W Max.



B6002
6" Reflector Trim
Lamp: R30/PAR30 LED E26 18W Max.



B6002L
6" Reflector Trim
Lamp: R40/PAR38 LED E26 24W Max.



B6003
6" Eyeball Trim
Lamp: R30/PAR30 LED E26 18W Max.



B6003B
6" Eyeball Baffle Trim
Lamp: R30/PAR30 LED E26 18W Max.



B6007
6" Gimbal Ring Trim
Lamp: R30/PAR30 LED E26 18W Max.



B6007L
6" PAR38 Gimbal Ring Trim
Lamp: R40/PAR38 LED E26 24W Max.



B6011
6" Cone Baffle Trim
Lamp: A19 LED E26 12W Max.



B6012
6" Reflector and Baffle Trim
Lamp: A19 LED E26 12W Max.



RECESSED DOWNLIGHT



Liteharbor Lighting Technology Co., Ltd.
 New Industry Area Hecun Danzao Town
 Nanhai Foshan City Guangdong China

TEL: +86-757-8180 8675
 FAX: +86-757-8180 8685
 E-mail: info@liteharbor.com

Website: www.liteharbor.com
 Specifications subject to change w/o notice
 Revision: Jan. 2015



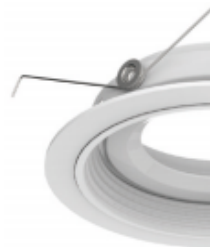
B6012W
6" Full Reflector Trim
Lamp: A19 LED E26 12W Max.



B6013
6" Eyeball and Baffle Trim
Lamp: R30/PAR30 LED E26 18W Max.



B6016
6" Wall Wash Baffle Trim
Lamp: R30/PAR30 LED E26 18W Max.



B6017
6" Gimbal Ring Trim with Baffle
Lamp: R30/PAR30 LED E26 18W Max.



B6017L
6" Adjustable Gimbal Trim with Baffle
Lamp: R40/PAR38 LED E26 24W Max.



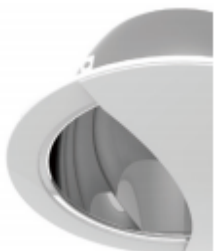
B6021
6" PAR30 Baffle Trim
Lamp: R30/PAR30 LED E26 18W Max.



B6021L
6" PAR38 Baffle Trim
Lamp: R40/PAR38 LED E26 24W Max.



B6022
6" Cone Reflector Trim
Lamp: A19 LED E26 12W Max.



B6026
6" Wall Wash Reflector Trim
Lamp: R30/PAR30 LED E26 18W Max.



B6300
6" Shower Trim with Fresnel Lens
Lamp: A19 LED E26 12W Max.
 Gasket used to prevent moisture
 Wet location listed



RECESSED DOWNLIGHT



Liteharbor Lighting Technology Co., Ltd.
 New Industry Area Hecun Danzao Town
 Nanhai Foshan City Guangdong China

TEL: +86-757-8180 8675
 FAX: +86-757-8180 8685
 E-mail: info@liteharbor.com

Website: www.liteharbor.com
 Specifications subject to change w/o notice
 Revision: Jan. 2015



B6400

6" Shower Trim with Albalite Lens

Lamp: A19 LED E26 12W Max.
Gasket used to prevent moisture
Wet location listed



B6500

6" Shower Trim with Drop Opal

Lamp: A19 LED E26 12W Max.
Gasket used to prevent moisture
Wet location listed



B6700

6" Shower Trim with Centre Frosted Lens

Lamp: A19 LED E26 12W Max.
Gasket used to prevent moisture
Wet location listed



B6800

6" Shower with Frosted Lens

Lamp: A19 LED E26 12W Max.
Gasket used to prevent moisture
Wet location listed



Liteharbor Lighting Technology Co., Ltd.

New Industry Area Hecun Danzao Town
Nanhai Foshan City Guangdong China

TEL: +86-757-8180 8675

FAX: +86-757-8180 8685

E-mail: info@liteharbor.com

Website: www.liteharbor.com

Specifications subject to change w/o notice

Revision: Jan. 2015