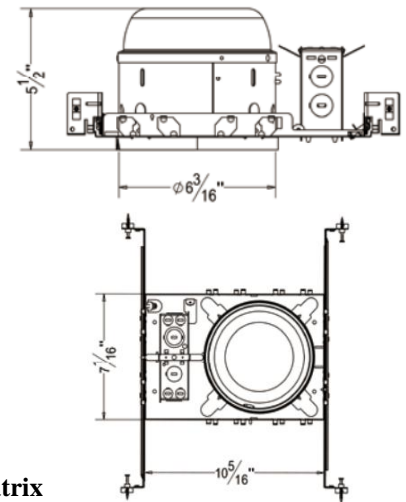


**A6-SIA**  
**6 inch New Construction IC Airtight**  
**Shallow Recessed Housing**

|                  |  |                    |  |                   |
|------------------|--|--------------------|--|-------------------|
| <b>Catalog #</b> |  | <b>Prepared by</b> |  | <b>LiteHarbor</b> |
| <b>Project</b>   |  | <b>Date</b>        |  |                   |
| <b>Notes</b>     |  |                    |  |                   |



**6 inch New Construction IC Airtight Shallow Recessed Housing**

**Housing**

- 1) Die-formed aluminum for maximum heat dissipation and rust protection
- 2) Designed for New Construction installation
- 3) Housing can be installed in 1/2" to 1-3/8" thick ceilings.

**Hanger Bar**

- 1) Allow housing to be positioned and locked at any point within a 24" joist span.
- 2) Can be shortened for 12" joists
- 3) Can be positioned on long or short axis of the housing
- 4) Contain integral nail
- 5) Hanger fit onto T-bar spline for quick alignment

**Junction Box**

- 1) ETL listed for through branch wiring
- 2) 4 in-4 out J-box
- 3) Designed for straight through conduit runs
- 4) 1/2" and 3/4" romex wiring knockouts

**Order Matrix**

**A      B      C      D      E**

|                        |  |  |  |  |
|------------------------|--|--|--|--|
| <b>Item No.:A6-SIA</b> |  |  |  |  |
|------------------------|--|--|--|--|

|          |  |
|----------|--|
| <b>A</b> | <b>Series</b>                                    |
| A6-SIA   | 6"/ New Construction IC Airtight Shallow Housing |

|          |                      |
|----------|----------------------|
| <b>B</b> | <b>Input Voltage</b> |
|          | 120V                 |
| 277      | 277V                 |

|          |             |
|----------|-------------|
| <b>C</b> | <b>Lamp</b> |
| P30      | PAR30       |
| P38      | PAR38       |
| R30      | R30         |
| R40      | R40         |
| A19      | A19         |

|          |                |
|----------|----------------|
| <b>D</b> | <b>Wattage</b> |
| L12      | LED 12W        |
| L18      | LED 18W        |
| L24      | LED 24W        |

RECESSED DOWNLIGHT



**Liteharbor Lighting Technology Co., Ltd.**  
 New Industry Area Hecun Danzao Town  
 Nanhai Foshan City Guangdong China

TEL: +86-757-8180 8687  
 FAX: +86-757-8180 8685  
 E-mail: info@liteharbor.com

Website: www.liteharbor.com  
 Specifications subject to change w/o notice  
 Revision: Jan. 2015

**Lamp & Socket**

See Trim for max. wattage and lamp  
CRI>80%  
PF>0.9  
Color Temperature:2800K-6500K

| E   | Color Temperature |
|-----|-------------------|
| 28K | 2800k             |
| 35K | 3500K             |
| 50K | 5000K             |
| 60K | 6000K             |

**Listing**

ETL listed for damp location W/Feed through

Other Special requirement please confirm with factory



RECESSED DOWNLIGHT



**Liteharbor Lighting Technology Co., Ltd.**  
New Industry Area Hecun Danzao Town  
Nanhai Foshan City Guangdong China

TEL: +86-757-8180 8687  
FAX: +86-757-8180 8685  
E-mail: info@liteharbor.com

Website: www.liteharbor.com  
Specifications subject to change w/o notice  
Revision: Jan. 2015

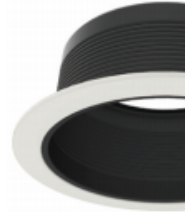
## 6" TRIM OPTICS



**B6001**

**6" Baffle Trim**

**Lamp:** R30/PAR30 LED E26 18W Max.



**B6001L**

**6" Baffle Trim**

**Lamp:** R40/PAR38 LED E26 24W Max.



**B6002**

**6" Reflector Trim**

**Lamp:** R30/PAR30 LED E26 18W Max.



**B6002L**

**6" Reflector Trim**

**Lamp:** R40/PAR38 LED E26 24W Max.



**B6003**

**6" Eyeball Trim**

**Lamp:** R30/PAR30 LED E26 18W Max.



**B6003B**

**6" Eyeball Baffle Trim**

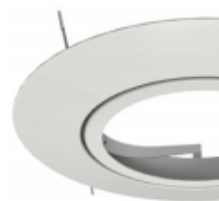
**Lamp:** R30/PAR30 LED E26 18W Max.



**B6007**

**6" Gimbal Ring Trim**

**Lamp:** R30/PAR30 LED E26 18W Max.



**B6007L**

**6" PAR38 Gimbal Ring Trim**

**Lamp:** R40/PAR38 LED E26 24W Max.



**B6011**

**6" Cone Baffle Trim**

**Lamp:** A19 LED E26 12W Max.



**B6012**

**6" Reflector and Baffle Trim**

**Lamp:** A19 LED E26 12W Max.



RECESSED DOWNLIGHT



**Liteharbor Lighting Technology Co., Ltd.**

New Industry Area Hecun Danzao Town  
Nanhai Foshan City Guangdong China

TEL: +86-757-8180 8687

FAX: +86-757-8180 8685

E-mail: info@liteharbor.com

Website: www.liteharbor.com

Specifications subject to change w/o notice

Revision: Jan. 2015



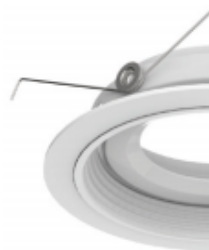
**B6012W**  
**6" Full Reflector Trim**  
**Lamp:** A19 LED E26 12W Max.



**B6013**  
**6" Eyeball and Baffle Trim**  
**Lamp:** R30/PAR30 LED E26 18W Max.



**B6016**  
**6" Wall Wash Baffle Trim**  
**Lamp:** R30/PAR30 LED E26 18W Max.



**B6017**  
**6" Gimbal Ring Trim with Baffle**  
**Lamp:** R30/PAR30 LED E26 18W Max.



**B6017L**  
**6" Adjustable Gimbal Trim with Baffle**  
**Lamp:** R40/PAR38 LED E26 24W Max.



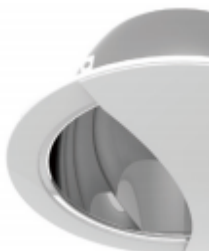
**B6021**  
**6" PAR30 Baffle Trim**  
**Lamp:** R30/PAR30 LED E26 18W Max.



**B6021L**  
**6" PAR38 Baffle Trim**  
**Lamp:** R40/PAR38 LED E26 24W Max.



**B6022**  
**6" Cone Reflector Trim**  
**Lamp:** A19 LED E26 12W Max.



**B6026**  
**6" Wall Wash Reflector Trim**  
**Lamp:** R30/PAR30 LED E26 18W Max.



**B6300**  
**6" Shower Trim with Fresnel Lens**  
**Lamp:** A19 LED E26 12W Max.  
 Gasket used to prevent moisture  
 Wet location listed



RECESSED DOWNLIGHT



**Liteharbor Lighting Technology Co., Ltd.**  
 New Industry Area Hecun Danzao Town  
 Nanhai Foshan City Guangdong China

TEL: +86-757-8180 8687  
 FAX: +86-757-8180 8685  
 E-mail: info@liteharbor.com

Website: www.liteharbor.com  
 Specifications subject to change w/o notice  
 Revision: Jan. 2015



**B6400**

**6" Shower Trim with Albalite Lens**

**Lamp:** A19 LED E26 12W Max.  
Gasket used to prevent moisture  
Wet location listed



**B6500**

**6" Shower Trim with Drop Opal**

**Lamp:** A19 LED E26 12W Max.  
Gasket used to prevent moisture  
Wet location listed



**B6700**

**6" Shower Trim with Centre Frosted Lens**

**Lamp:** A19 LED E26 12W Max.  
Gasket used to prevent moisture  
Wet location listed



**B6800**

**6" Shower with Frosted Lens**

**Lamp:** A19 LED E26 12W Max.  
Gasket used to prevent moisture  
Wet location listed



**Liteharbor Lighting Technology Co., Ltd.**

New Industry Area Hecun Danzao Town  
Nanhai Foshan City Guangdong China

TEL: +86-757-8180 8687

FAX: +86-757-8180 8685

E-mail: info@liteharbor.com

Website: www.liteharbor.com

Specifications subject to change w/o notice

Revision: Jan. 2015