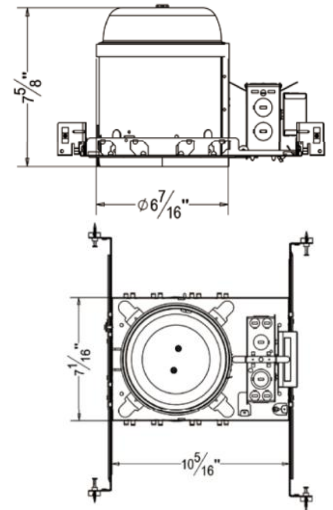


**AF6-IA**  
**6 inch Compact Fluorescent New Construction IC Airtight Recessed Housing**

<b>Catalog #</b>		<b>Prepared by</b>		<b>LiteHarbor</b>
<b>Project</b>		<b>Date</b>		
<b>Notes</b>				



**6 inch Compact Fluorescent New Construction IC Airtight Recessed Housing**

**Housing**

- 1) Die-formed aluminum for maximum heat dissipation and rust protection
- 2) Designed for New Construction installation
- 3) Housing can be installed in 1/2" to 1-3/8" thick ceilings.

**Hanger Bar**

- 1) Allow housing to be positioned and locked at any point within a 24" joist span.
- 2) Can be shortened for 12" joists
- 3) Can be positioned on long or short axis of the housing
- 4) Contain integral nail
- 5) Hanger fit onto T-bar spline for quick alignment

**Junction Box**

- 1) ETL listed for through branch wiring
- 2) 4 in-4 out J-box
- 3) Designed for straight through conduit runs
- 4) 1/2" and 3/4" romex wiring knockouts

**Order Matrix**

A    B    C    D

<b>Item No.:AF6-IA</b>			
------------------------	--	--	--

<b>A Series</b>	
AF6-IA	6"/ Compact Fluorescent New Construction IC Airtight Housing

<b>B Input Voltage</b>	
	120V
277	277V

<b>C Wattage</b>	
F13	CFL 13W
F18	CFL 18W
F26	CFL 26W

RECESSED DOWNLIGHT



**Liteharbor Lighting Technology Co., Ltd.**  
 New Industry Area Hecun Danzao Town  
 Nanhai Foshan City Guangdong China

TEL: +86-757-8180 8675  
 FAX: +86-757-8180 8685  
 E-mail: info@liteharbor.com

Website: www.liteharbor.com  
 Specifications subject to change w/o notice  
 Revision: Jan. 2015

### Ballast

- 1) Thermally protected
- 2) Electronic ballast provides full light output and rated lamp life
- 3) Flicker free and noise free operation and starting
- 4) End of lamp life protection is standard
- 5) Attached to junction box cover so it may be serviced from below the ceiling no tools required

D	Color Temperature
28K	2800k
35K	3500K
50K	5000K
60K	6000K

### Lamp & Socket

See Trim for max. wattage and lamp

CRI>80%

PF>0.9

Color Temperature:2800K-6500K

### Listing

ETL listed for damp location W/Feed through

Other Special requirement please confirm with factory



RECESSED DOWNLIGHT



**Liteharbor Lighting Technology Co., Ltd.**

New Industry Area Hecun Danzao Town

Nanhai Foshan City Guangdong China

TEL: +86-757-8180 8675

FAX: +86-757-8180 8685

E-mail: info@liteharbor.com

Website: www.liteharbor.com

Specifications subject to change w/o notice

Revision: Jan. 2015

## 6" COMPACT FLUORESCENT TRIM OPTICS



### B6011

**6" Full Reflector Baffle Cone Trim**  
**Lamp:** 18/26/32W TRT



### B6012

**6" Clear Reflector With Baffle**  
**Lamp:** 18/26/32W TRT



### B6012W

**6" Full Reflector Trim**  
**Lamp:** 18/26/32W TRT



### B6022

**6" Cone Trim With Reflector**  
**Lamp:** 18/26/32W TRT



### BF6302

**6" Shower Trim With Fresnel Lens**  
**Lamp:** 13/18/26W TRT  
 Gasket used to prevent moisture  
 Wet location listed



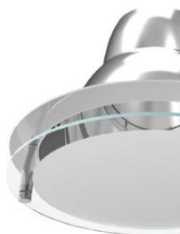
### BF6402

**6" Shower Trim With Albalite Lens**  
**Lamp:** 13/18/26W TRT  
 Gasket used to prevent moisture  
 Wet location listed



### BF6502

**6" Shower Trim With Drop Opal Lens**  
**Lamp:** 13/18/26W TRT  
 Gasket used to prevent moisture  
 Wet location listed



### BF6512

**6" Clear Specular Reflector With Drop Glass**  
**Lamp:** 13/18/26W TRT  
 Gasket used to prevent moisture  
 Wet location listed



### BF6702

**6" Shower Trim With Frosted Spot Lens**  
**Lamp:** 13/18/26W TRT  
 Gasket used to prevent moisture  
 Wet location listed



### BF6800

**6" Shower Trim With Sand Blasted Lens**  
**Lamp:** 13/18/26W TRT  
 Gasket used to prevent moisture  
 Wet location listed



RECESSED DOWNLIGHT



**Liteharbor Lighting Technology Co., Ltd.**

New Industry Area Hecun Danzao Town  
 Nanhai Foshan City Guangdong China

TEL: +86-757-8180 8675

FAX: +86-757-8180 8685

E-mail: info@liteharbor.com

Website: www.liteharbor.com

Specifications subject to change w/o notice

Revision: Jan. 2015