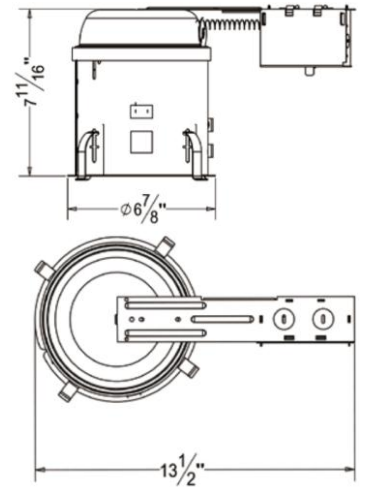
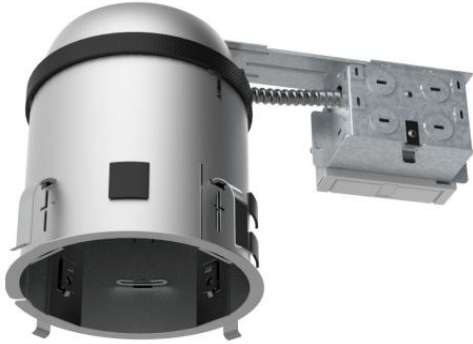


AF6-RIA
6 inch Compact Fluorescent Remodel
IC Airtight Recessed Housing

Catalog #		Prepared by		LiteHarbor
Project		Date		
Notes				



6 inch Compact Fluorescent Remodel IC Airtight Recessed Housing

Order Matrix

A B C D

Item No.: AF6-RIA

Housing

- 1) Die-formed aluminum for maximum heat dissipation and rust protection
- 2) Designed for Remodel installation
- 3) Housing can be installed in 1/2" to 1-3/8" thick ceilings.

Junction Box

- 1) ETL listed for through branch wiring
- 2) 4 in-4 out J-box
- 3) Designed for straight through conduit runs
- 4) 1/2" and 3/4" romex wiring knockouts

Ballast

- 1) Thermally protected
- 2) Electronic ballast provides full light output and rated lamp life
- 3) Flicker free and noise free operation and starting
- 4) End of lamp life protection is standard
- 5) Attached to junction box cover so it may be serviced from below the ceiling no tools required

	A Series
AF6-RIA	6"/ Compact Fluorescent Remodel IC Airtight Housing

	B Input Voltage
	120V
277	277V

	C Wattage
F13	CFL 13W
F18	CFL 18W
F26	CFL 26W

RECESSED DOWNLIGHT



Liteharbor Lighting Technology Co., Ltd.
 New Industry Area Hecun Danzao Town
 Nanhai Foshan City Guangdong China

TEL: +86-757-8180 8675
 FAX: +86-757-8180 8685
 E-mail: info@liteharbor.com

Website: www.liteharbor.com
 Specifications subject to change w/o notice
 Revision: Jan. 2015

Lamp & Socket

See Trim for max. wattage and lamp

CRI>80%

PF>0.9

Color Temperature:2800K-6500K

D	Color Temperature
28K	2800k
35K	3500K
50K	5000K
60K	6000K

Listing

ETL listed for damp location W/Feed through

Other Special requirement please confirm with factory



RECESSED DOWNLIGHT



Liteharbor Lighting Technology Co., Ltd.

New Industry Area Hecun Danzao Town

Nanhai Foshan City Guangdong China

TEL: +86-757-8180 8675

FAX: +86-757-8180 8685

E-mail: info@liteharbor.com

Website: www.liteharbor.com

Specifications subject to change w/o notice

Revision: Jan. 2015

6" COMPACT FLUORESCENT TRIM OPTICS



B6011

6" Full Reflector Baffle Cone Trim
Lamp: 18/26/32W TRT



B6012

6" Clear Reflector With Baffle Lamp: 18/26/32W TRT



B6012W

6" Full Reflector Trim
Lamp: 18/26/32W TRT



B6022

6" Cone Trim With Reflector
Lamp: 18/26/32W TRT



BF6302

6" Shower Trim With Fresnel Lens
Lamp: 13/18/26W TRT
Gasket used to prevent moisture
Wet location listed



BF6402

6" Shower Trim With Albalite Lens
Lamp: 13/18/26W TRT
Gasket used to prevent moisture
Wet location listed



BF6502

6" Shower Trim With Drop Opal Lens
Lamp: 13/18/26W TRT
Gasket used to prevent moisture
Wet location listed



BF6512

6" Clear Specular Reflector With Drop Glass
Lamp: 13/18/26W TRT
Gasket used to prevent moisture
Wet location listed



BF6702

6" Shower Trim With Frosted Spot Lens
Lamp: 13/18/26W TRT
Gasket used to prevent moisture
Wet location listed



BF6800

6" Shower Trim With Sand Blasted Lens
Lamp: 13/18/26W TRT
Gasket used to prevent moisture
Wet location listed



RECESSED DOWNLIGHT



Liteharbor Lighting Technology Co., Ltd.

New Industry Area Hecun Danzao Town
Nanhai Foshan City Guangdong China

TEL: +86-757-8180 8675

FAX: +86-757-8180 8685

E-mail: info@liteharbor.com

Website: www.liteharbor.com

Specifications subject to change w/o notice

Revision: Jan. 2015