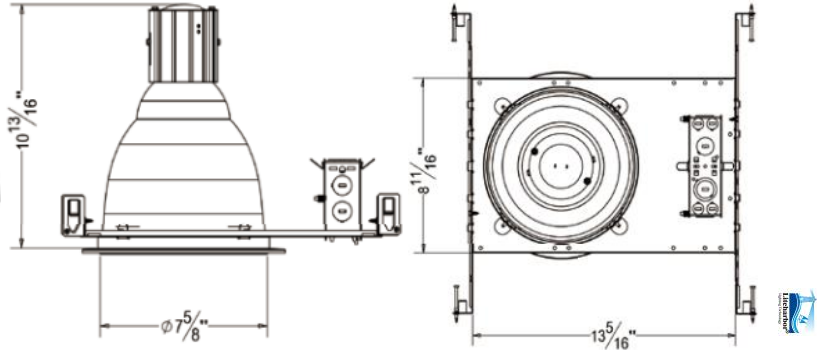


# 8 inch Vertical Fluorescent Commercial Housing

Catalog #		Prepared by	LiteHarbor
Project		Date	
Notes			



## 8 inch Vertical Fluorescent Commercial Housing

### Mounting

- 1) Constructed from 16-gauge steel
- 2) Frame includes bar hangers with nails for wood joist
- 3) Installed spring steel friction clips
- 4) Adjustable 14"-25" for precise placement
- 5) Bar hangers include T-bar notch for T-grid ceiling installations
- 6) Fully assembled for ease of installation
- 7) Must be kept at least 3" away from insulation

### Junction Box

- 1) Pre-wired junction box provided with 1/2" and 3/4" knockouts
- 2) Provided with removable access plates
- 3) Knockouts equipped with pryout slots
- 4) All leads are #18AWG wire, the ground wire connected to the bottom and quick connectors are supplied on all leads
- 5) Through branch circuit wiring(4 in, 4 out)

### Reflector

- 1) High quality reflector with 1.2mm thickness available in multiple architectural finishes and types.
- 2) Optional painted white flange is available

### Order Matrix

A	B	C	D	E
A	Series			
AF8-VC	8" Vertical Commercial Housing Fluorescent			
B	Ballast			
	No Ballast			
E	Electronic Ballast			
DE	Dimmable Electronic Ballast			
C	Input Voltage			
	120V			
277	277V			

COMMERCIAL HOUSING



**Liteharbor Lighting Technology Co., Ltd.**  
 New Industry Area Hecun Danzao Town  
 Nanhai Foshan City Guangdong China

TEL: +86-757-8180 8675  
 FAX: +86-757-8180 8685  
 E-mail: info@liteharbor.com

Website: www.liteharbor.com  
 Specifications subject to change w/o notice  
 Revision: Jan. 2015

- 3) Single position optics eliminate possibility of specified lamp being installed in incorrect position

#### Ballast

- 1) Thermally protected
- 2) Electronic ballast provide full light output and rated lamp life
- 3) Flicker free and noise free operation and starting
- 4) End of lamp life protection is standard
- 5) Attached to junction box cover so it may be serviced from below the ceiling no tools required

#### Socket

Unversal G24 4-pin

#### Lamp

13W/18W/26W/32W/42W 4 pin

Unversal G24 4-PIN

CRI>80%

PF>0.9

Color Temperature:2800K-6500K

#### Listing

ETL listed for damp location W/Feed through

D	Wattage
F26	CFL 26W
F32	CFL 32W
F42	CFL 42W

E	Color Temperature
28K	2800k
35K	3500K
50K	5000K
60K	6000K



**Special Requirements Confirm with Factory**



**Liteharbor Lighting Technology Co., Ltd.**

New Industry Area Hecun Danzao Town  
Nanhai Foshan City Guangdong China

TEL: +86-757-8180 8675

FAX: +86-757-8180 8685

E-mail: info@liteharbor.com

Website: www.liteharbor.com

Specifications subject to change w/o notice

Revision: Jan. 2015



### RV8002

8 inch Vertical Reflector  
Self Flanged/White Ring



### RC802

8 inch Vertical Reflector with  
Regressed Lens  
Self Flanged/White Ring



### RC803

8 inch Vertical Baffle with  
Regressed Lens  
Self Flanged/White Ring



### RC808

8 inch Vertical Cross Blade  
White Ring



### RV812

8 inch Vertical Reflector with  
Baffle  
White Ring



### RC188

8 inch Vertical Reflector with Drop  
Glass  
Self Flanged

COMMERCIAL HOUSING



**Liteharbor Lighting Technology Co., Ltd.**

New Industry Area Hecun Danzao Town  
Nanhai Foshan City Guangdong China

TEL: +86-757-8180 8675

FAX: +86-757-8180 8685

E-mail: info@liteharbor.com

Website: www.liteharbor.com

Specifications subject to change w/o notice

Revision: Jan. 2015