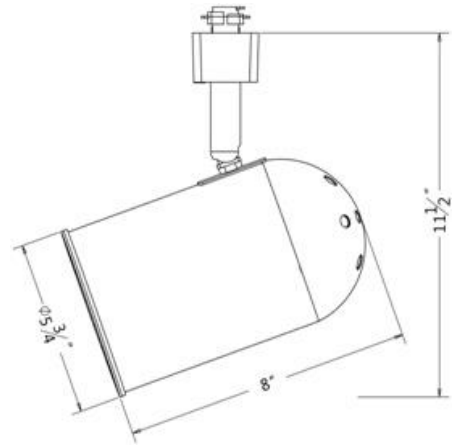


# K2573

## Line Volt. Round Back Track Head

Catalog #		Prepared by	LiteHarbor
Project		Date	
Notes			



### Line Voltage Round Back Track Head

#### Description

Line voltage die-cast aluminum designer gimbal fixtures with PAR38 light source. Yoke provides full adjustment position of light source for special aiming and dual tightening knobs assure secure lock on angle position.

#### Features

- 1) Die-cast aluminum provides superior strength and rigidity.
- 2) Low profile, aesthetic design.
- 3) Adjustable yoke for custom aiming.
- 4) One or two circuit track capable.

#### Housing

Iron / die-cast aluminum construction;  
Gimbal appearance and design features  
All edges are softened for aesthetic appearance.

#### Yoke

Iron yoke connects fixture housing to electrical contact head. Dual plastic angle tightening knobs maintain clean, decorative appearance of the fixture and provides secure angle position.

A    B    C    D    E    F

Item No.:K2573

A	Series
K2573	Track Light

B	Wire
02W	2-wire
03W	3-wire
04W	4-wire

C	Finish
BK	Black
WH	White
SN	Satin Nickel



TRACK LIGHTING



**Liteharbor Lighting Technology Co., Ltd.**

New Industry Area Hecun Danzao Town  
Nanhai Foshan City Guangdong China

TEL: +86-757-8180 8675  
FAX: +86-757-8180 8685  
E-mail: info@liteharbor.com

Website: www.liteharbor.com  
Specifications subject to change w/o notice  
Revision: Jan. 2015

### Transformer

Solid state electronic transformer provides noise-free voltage reduction and operation.

If dimming, use electronic low voltage rated only dimming controls.

Integral Unit: 120V/60Hz Input; 12V Output; 50VA Max. load

### Finishes

Black, White and Satin Nickel heat rated baked enamel paint.

Custom painting or anodizing for special applications is also available.

Custom finishes will require lead times that vary depending on vendor schedule. Please consult factory for quotation.

### Wiring

Teflon coated wire lead connects socket and housing to electrical contact head.

Teflon coating is durable and resists heat degradation from lamp and housing radiation.

### Lamp

LED PAR38 E26 24W Max.

### Listing

c-UL-us Listed

D	Mounting
TM	Track Rail Mounting
CM	Canopy Mounting
PM	Pendant Mounting

E	Wattage
L24	LED 24W

F	Color Temperature
28K	2800K
35K	3500K
50K	5000K



## OPTIONAL ACCESSORIES



**K500**  
Global Adaptor  
Finish: WH/BK



**K600**  
Single/Two Circuit Live End  
Finish: WH/BK



**K601**  
Single /Two Circuit End Feed  
Finish: WH/BK



**K602**  
Single/Two Circuit Flexible Connector  
Finish: WH/BK



**K604**  
T-bar Attachment Clips For T-bar Drop Ceiling  
Finish: WH/BK/SN



**K605**  
Single/Two Circuit Floating Canopy  
Finish: WH/BK



**K606**  
Single/Two Circuit Live End With Box Cover  
Finish: WH/BK



**K607**  
Track End Cap  
Finish: WH/BK



**K608**  
Mini Coupling  
Finish: WH/BK



**K609**  
Single/Two Circuit T-Connector  
Finish: WH/BK



**K610**  
Single Circuit 90 °Connector  
Finish: WH/BK



**K611**  
Single/Two Circuit X-Connector  
Finish: WH/BK



**K612**  
Live End With Cord&Plug  
Finish: WH/BK  
Available in 2 wire,3 wire,4 wire



**K5-3**  
Single Circuit/Two Circuit Track  
Single circuit track is rated for 2400W  
features 12-gauge copper conductors and

a separate ground conductor.  
Two circuit track includes 12-gauge copper conductors and features a double load capacity at 4800W max.  
Single/Two Circuit Track is available in white,black,and satin nickel finishes,and in 4,6,and 8-foot sizes,and can also be field cut to your preference.



**Liteharbor Lighting Technology Co., Ltd.**  
New Industry Area Hecun Danzao Town  
Nanhai Foshan City Guangdong China

TEL: +86-757-8180 8675  
FAX: +86-757-8180 8685  
E-mail: info@liteharbor.com

Website: www.liteharbor.com  
Specifications subject to change w/o notice  
Revision: Jan. 2015

