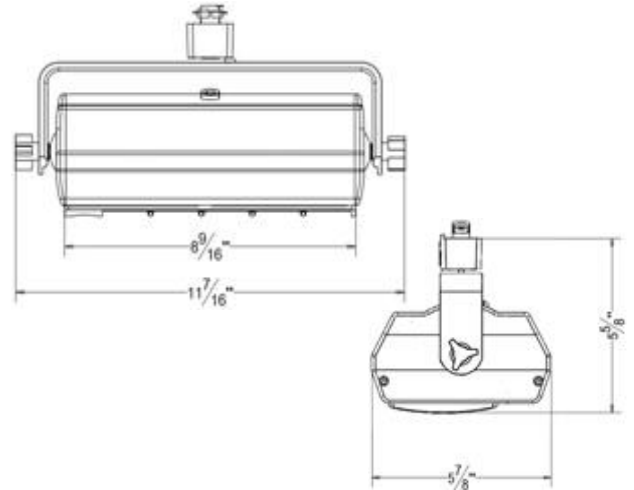


K4003 Flood Wall Wash Track Light

Catalog #		Prepared by	LiteHarbor
Project		Date	
Notes			



Flood Wall Wash Track Light

Description

- Die-cast aluminum provides superior strength and rigidity.
- Specular parabolic louver.
- Computer contoured reflector.
- Low profile, aesthetic design.
- One or two circuit track capable.

Finishes

- Black, White and Satin Nickel heat rated baked enamel paint.
- Custom painting or anodizing for special applications is also available.
- Custom finishes will require lead times that vary depending on vendor schedule. Please consult factory for quotation.

Connections

- Standard track adapters.

Aiming

- 90° vertical aiming capability and 358° rotation.
- Two locking knobs provided.

Adapters

- Contacts provide precise spring action - no arcing and will

A B C D E

Item No.:K4003

A	Series
K4003	Track Light

B	Wire
02W	2-wire
03W	3-wire
04W	4-wire

C	Finish
BK	Black
WH	White
SN	Satin Nickel



TRACK LIGHTING



Liteharbor Lighting Technology Co., Ltd.

New Industry Area Hecun Danzao Town
Nanhai Foshan City Guangdong China

TEL: +86-757-8180 8675
FAX: +86-757-8180 8685
E-mail: info@liteharbor.com

Website: www.liteharbor.com
Specifications subject to change w/o notice
Revision: Jan. 2015

not take a set.

On/off switch optional.

Spring-loaded positive latch .

"Pull-up"contact to up position for two-circuit application.

D	Wattage
F42	TRT 42W
F32	TRT 32W
F26	DTT 26W

Louver

One piece parabolic blade louvers are of sturdy,injection molded construction with snap-in design.

Specular louvers offer controlled brightness,with minimal loss in efficiency.

Equally efficient, white louvers have a more contemporary appearance and are easier to keep clean.

Black louvers provide excellent brightness control,but with a moderate reduction in fixture efficiency.

Louvers must be specified separately.

E	Color Temperature
28K	2800K
35K	3500K
50K	5000K

Mounting

For ceiling mount installations only.

Ballast

120V Magnetic Ballast.

120V Electronic Ballast.

End of lamp life protection.

Lamp

26W DTT 4-Pin

32W TRT 4-Pin

42W TRT 4-Pin

Listing

c-UL-us Listed



Liteharbor Lighting Technology Co., Ltd.

New Industry Area Hecun Danzao Town

Nanhai Foshan City Guangdong China

TEL: +86-757-8180 8675

FAX: +86-757-8180 8685

E-mail: info@liteharbor.com

Website: www.liteharbor.com

Specifications subject to change w/o notice

Revision: Jan. 2015

OPTIONAL ACCESSORIES



K500
Global Adaptor
Finish: WH/BK



K600
Single/Two Circuit Live End
Finish: WH/BK



K601
Single /Two Circuit End Feed
Finish: WH/BK



K602
Single/Two Circuit Flexible Connector
Finish: WH/BK



K604
T-bar Attachment Clips For T-bar Drop Ceiling
Finish: WH/BK/SN



K605
Single/Two Circuit Floating Canopy
Finish: WH/BK



K606
Single/Two Circuit Live End With Box Cover
Finish: WH/BK



K607
Track End Cap
Finish: WH/BK



K608
Mini Coupling
Finish: WH/BK



K609
Single/Two Circuit T-Connector
Finish: WH/BK



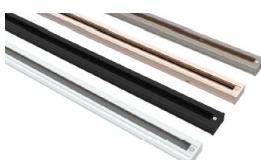
K610
Single Circuit 90 °Connector
Finish: WH/BK



K611
Single/Two Circuit X-Connector
Finish: WH/BK



K612
Live End With Cord&Plug
Finish: WH/BK
Available in 2 wire,3 wire,4 wire



K5-3
Single Circuit/Two Circuit Track
Single circuit track is rated for 2400W
features 12-gauge copper conductors and

a separate ground conductor.
Two circuit track includes 12-gauge copper conductors and features a double load capacity at 4800W max.
Single/Two Circuit Track is available in white,black,and satin nickel finishes,and in 4,6,and 8-foot sizes,and can also be field cut to your preference.



Liteharbor Lighting Technology Co., Ltd.
New Industry Area Hecun Danzao Town
Nanhai Foshan City Guangdong China

TEL: +86-757-8180 8675
FAX: +86-757-8180 8685
E-mail: info@liteharbor.com

Website: www.liteharbor.com
Specifications subject to change w/o notice
Revision: Jan. 2015

