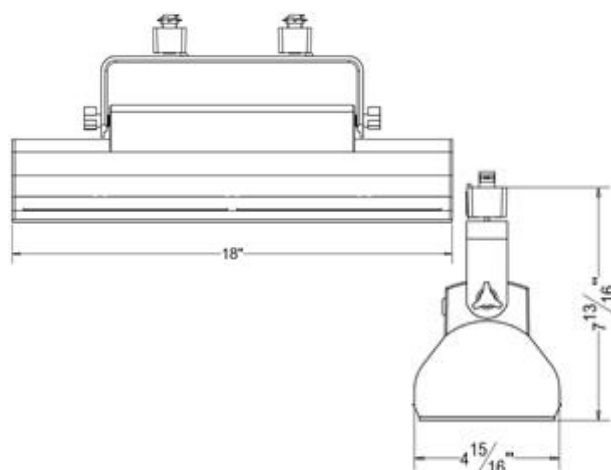


K4013 Flood Wall Wash Track Light

Catalog #		Prepared by	LiteHarbor
Project		Date	
Notes			



Flood Wall Wash Track Light

Description

Die-cast aluminum provides superior strength and rigidity.
 Specular parabolic louver.
 Computer contoured reflector.
 Low profile, aesthetic design.
 One or two circuit track capable.

Finishes

Black, White and Satin Nickel heat rated baked enamel paint.
 Custom painting or anodizing for special applications is also available.
 Custom finishes will require lead times that vary depending on vendor schedule. Please consult factory for quotation.

Connections

Standard track adapters.

Aiming

90° vertical aiming capability.
 Two locking knobs provided.

Adapters

Contacts provide precise spring action - no arcing and will

A B C D E

Item No.:K4013

A	Series
K4013	Track Light

B	Wire
02W	2-wire
03W	3-wire
04W	4-wire

C	Finish
BK	Black
WH	White
SN	Satin Nickel



TRACK LIGHTING



Liteharbor Lighting Technology Co., Ltd.

New Industry Area Hecun Danzao Town
 Nanhai Foshan City Guangdong China

TEL: +86-757-8180 8675
 FAX: +86-757-8180 8685
 E-mail: info@liteharbor.com

Website: www.liteharbor.com
 Specifications subject to change w/o notice
 Revision: Jan. 2015

not take a set.

On/off switch optional.

Spring-loaded positive latch .

"Pull-up"contact to up position for two-circuit application.

D	Wattage
F240	TRT 2×40W
L218	LED 2×18W

Louver

One piece parabolic blade louvers are of sturdy,injection molded construction with snap-in design.

Specular louvers offer controlled brightness,with minimal loss in efficiency.

Equally efficient, white louvers have a more contemporary appearance and are easier to keep clean.

Black louvers provide excellent brightness control,but with a moderate reduction in fixture efficiency.

Louvers must be specified separately.

E	Color Temperature
28K	2800K
35K	3500K
50K	5000K

Mounting

For ceiling mount installations only.

Ballast

120V Magnetic Ballast.

120V Electronic Ballast.

End of lamp life protection.

Lamp

2×40W TRT

LED 2×18W Max.

Listing

c-UL-us Listed



Liteharbor Lighting Technology Co., Ltd.

New Industry Area Hecun Danzao Town

Nanhai Foshan City Guangdong China

TEL: +86-757-8180 8675

FAX: +86-757-8180 8685

E-mail: info@liteharbor.com

Website: www.liteharbor.com

Specifications subject to change w/o notice

Revision: Jan. 2015

OPTIONAL ACCESSORIES



K500
Global Adaptor
Finish: WH/BK



K600
Single/Two Circuit Live End
Finish: WH/BK



K601
Single /Two Circuit End Feed
Finish: WH/BK



K602
Single/Two Circuit Flexible Connector
Finish: WH/BK



K604
T-bar Attachment Clips For T-bar Drop Ceiling
Finish: WH/BK/SN



K605
Single/Two Circuit Floating Canopy
Finish: WH/BK



K606
Single/Two Circuit Live End With Box Cover
Finish: WH/BK



K607
Track End Cap
Finish: WH/BK



K608
Mini Coupling
Finish: WH/BK



K609
Single/Two Circuit T-Connector
Finish: WH/BK



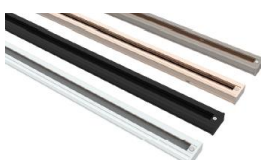
K610
Single Circuit 90° Connector
Finish: WH/BK



K611
Single/Two Circuit X-Connector
Finish: WH/BK



K612
Live End With Cord&Plug
Finish: WH/BK
Available in 2 wire,3 wire,4 wire



K5-3
Single Circuit/Two Circuit Track
Single circuit track is rated for 2400W
features 12-gauge copper conductors and

a separate ground conductor.
Two circuit track includes 12-gauge copper conductors and features a double load capacity at 4800W max.
Single/Two Circuit Track is available in white,black,and satin nickel finishes,and in 4,6,and 8-foot sizes,and can also be field cut to your preference.



Liteharbor Lighting Technology Co., Ltd.
New Industry Area Hecun Danzao Town
Nanhai Foshan City Guangdong China

TEL: +86-757-8180 8675
FAX: +86-757-8180 8685
E-mail: info@liteharbor.com

Website: www.liteharbor.com
Specifications subject to change w/o notice
Revision: Jan. 2015

