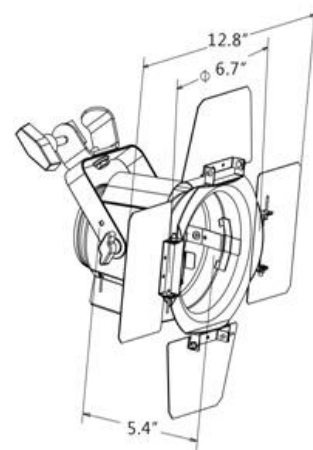


**PR058-AR111-J-CE**  
**Surface Mounted Four Barn Doors**  
**AR111 Track Light**

<b>Catalog #</b>		<b>Prepared by</b>	LiteHarbor
<b>Project</b>		<b>Date</b>	
<b>Notes</b>			



**Surface Mounted Four Barn Doors AR111 Track Light**

**Specifications**

Voltage: AC 110-260V, 50/60Hz

Lamp: AR111

Power: 18W / 22.5W / 33.8W Max.

Lumen: 1300LM / 1990LM / 4000LM

Narrow beam angles: 24 ° and 40 °

**Light Source**

CRI>80%

PF>95%

Color Temperature: 2700K-6500K

Average Life: Above 50000 hours

Protection Code: IP44

Four barn doors help you make the light direction you want.



**Places to use**

Clothing Shop, Museum, Library, Art gallery and so on.



AR111



TRACK LIGHTING



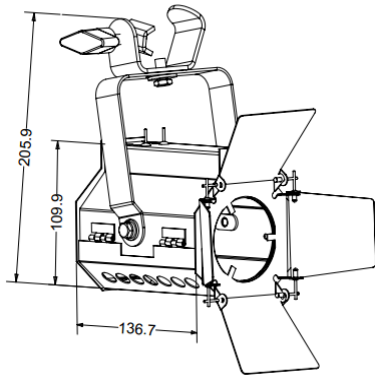
**Liteharbor Lighting Technology Co., Ltd.**

New Industry Area Hecun Danzao Town  
 Nanhai Foshan City Guangdong China

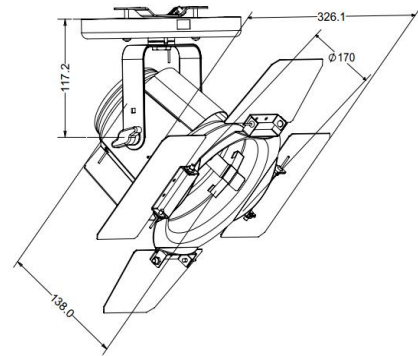
TEL: +86-757-8180 8675  
 FAX: +86-757-8180 8685  
 E-mail: info@liteharbor.com

Website: www.liteharbor.com  
 Specifications subject to change w/o notice  
 Revision: Jan. 2015

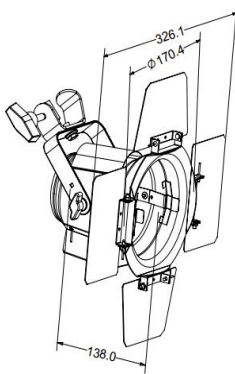
## More Products



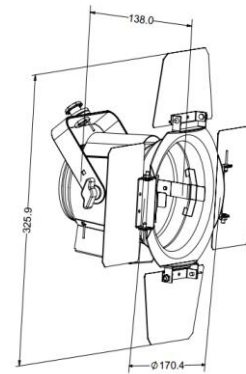
**PR058-AR70-100-CE**



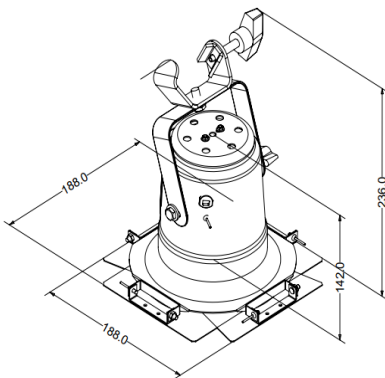
**PR058-AR111-JC-CE**



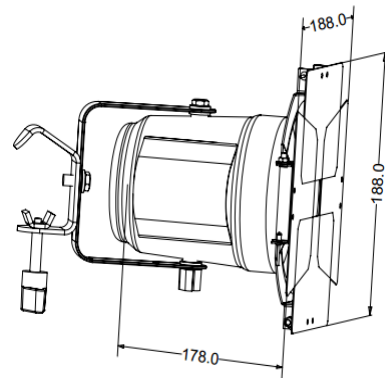
**PR058-AR111-J-CE**



**PR058-J4-CE**



**PR058-PAR30-H-4-CE**



**PR058-PAR30-H**



**Liteharbor Lighting Technology Co., Ltd.**

New Industry Area Hecun Danzao Town  
Nanhai Foshan City Guangdong China

TEL: +86-757-8180 8675

FAX: +86-757-8180 8685

E-mail: info@liteharbor.com

Website: www.liteharbor.com

Specifications subject to change w/o notice

Revision: Jan. 2015

## OPTIONAL ACCESSORIES



**K500**  
Global Adaptor  
Finish: WH/BK



**K600**  
Single/Two Circuit Live End  
Finish: WH/BK



**K601**  
Single /Two Circuit End Feed  
Finish: WH/BK



**K602**  
Single/Two Circuit Flexible Connector  
Finish: WH/BK



**K604**  
T-bar Attachment Clips For T-bar Drop Ceiling  
Finish: WH/BK/SN



**K605**  
Single/Two Circuit Floating Canopy  
Finish: WH/BK



**K606**  
Single/Two Circuit Live End With Box Cover  
Finish: WH/BK



**K607**  
Track End Cap  
Finish: WH/BK



**K608**  
Mini Coupling  
Finish: WH/BK



**K609**  
Single/Two Circuit T-Connector  
Finish: WH/BK



**K610**  
Single Circuit 90 °Connector  
Finish: WH/BK



**K611**  
Single/Two Circuit X-Connector  
Finish: WH/BK



**K612**  
Live End With Cord&Plug  
Finish: WH/BK  
Available in 2 wire,3 wire,4 wire



**K5-3**  
Single Circuit/Two Circuit Track  
Single circuit track is rated for 2400W  
features 12-gauge copper conductors and

a separate ground conductor.  
Two circuit track includes 12-gauge copper conductors and features a double load capacity at 4800W max.  
Single/Two Circuit Track is available in white,black,and satin nickel finishes,and in 4,6,and 8-foot sizes,and can also be field cut to your preference.



**Liteharbor Lighting Technology Co., Ltd.**  
New Industry Area Hecun Danzao Town  
Nanhai Foshan City Guangdong China

TEL: +86-757-8180 8675  
FAX: +86-757-8180 8685  
E-mail: info@liteharbor.com

Website: www.liteharbor.com  
Specifications subject to change w/o notice  
Revision: Jan. 2015

