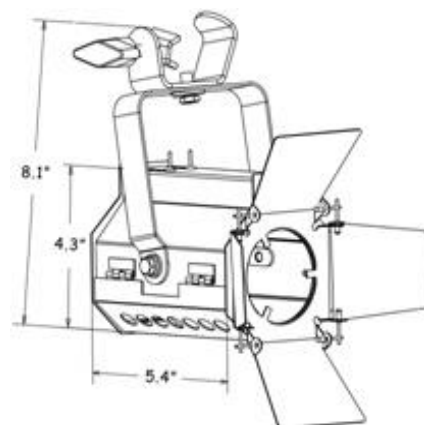


PR058-AR70-100-CE

Four Barn Doors AR70 Track Light

Catalog #		Prepared by	LiteHarbor
Project		Date	
Notes			



Four Barn Doors AR70 Track Light

Specifications

Voltage: AC 110-260V, 50/60Hz

Lamp: AR70

Power: 10W Max.

Lumen: 800LM

Light Source

CRI>80%

PF>95%

Color Temperature: 2700K-6500K

Average Life: Above 50000 hours

Protection Code: IP44

Four barn doors help you make the light direction you want.

Places to use

Clothing Shoppe, Museum, Library, Art gallery and so on.



TRACK LIGHTING



Liteharbor Lighting Technology Co., Ltd.

New Industry Area Hecun Danzao Town

Nanhai Foshan City Guangdong China

TEL: +86-757-8180 8675

FAX: +86-757-8180 8685

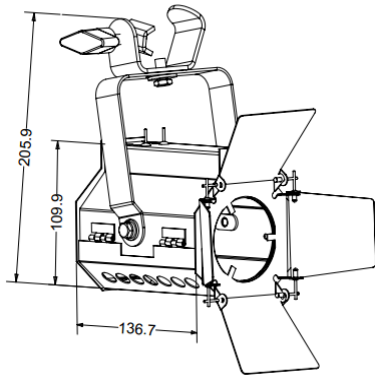
E-mail: info@liteharbor.com

Website: www.liteharbor.com

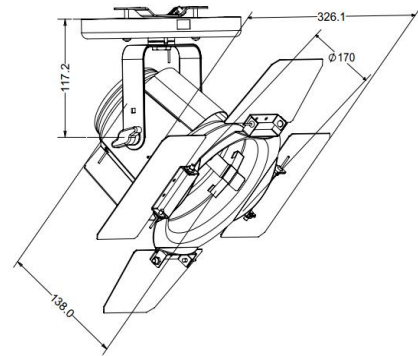
Specifications subject to change w/o notice

Revision: Jan. 2015

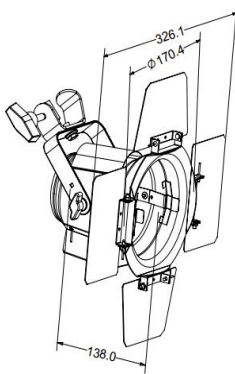
More Products



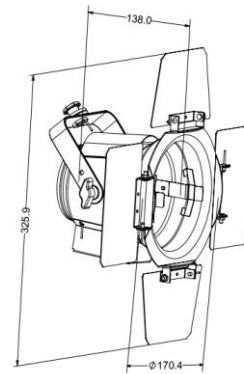
PR058-AR70-100-CE



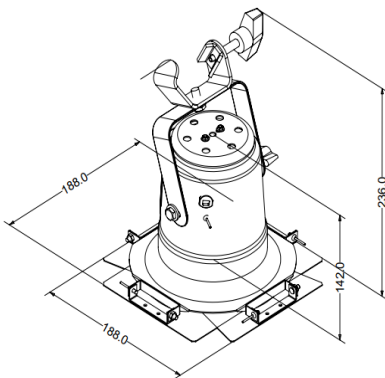
PR058-AR111-JC-CE



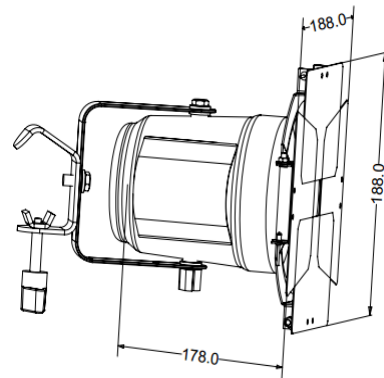
PR058-AR111-J-CE



PR058-J4-CE



PR058-PAR30-H-4-CE



PR058-PAR30-H



Liteharbor Lighting Technology Co., Ltd.

New Industry Area Hecun Danzao Town
Nanhai Foshan City Guangdong China

TEL: +86-757-8180 8675

FAX: +86-757-8180 8685

E-mail: info@liteharbor.com

Website: www.liteharbor.com

Specifications subject to change w/o notice

Revision: Jan. 2015

OPTIONAL ACCESSORIES



K500
Global Adaptor
Finish: WH/BK



K600
Single/Two Circuit Live End
Finish: WH/BK



K601
Single /Two Circuit End Feed
Finish: WH/BK



K602
Single/Two Circuit Flexible Connector
Finish: WH/BK



K604
T-bar Attachment Clips For T-bar Drop Ceiling
Finish: WH/BK/SN



K605
Single/Two Circuit Floating Canopy
Finish: WH/BK



K606
Single/Two Circuit Live End With Box Cover
Finish: WH/BK



K607
Track End Cap
Finish: WH/BK



K608
Mini Coupling
Finish: WH/BK



K609
Single/Two Circuit T-Connector
Finish: WH/BK



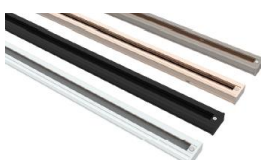
K610
Single Circuit 90 °Connector
Finish: WH/BK



K611
Single/Two Circuit X-Connector
Finish: WH/BK



K612
Live End With Cord&Plug
Finish: WH/BK
Available in 2 wire,3 wire,4 wire



K5-3
Single Circuit/Two Circuit Track
Single circuit track is rated for 2400W
features 12-gauge copper conductors and

a separate ground conductor.
Two circuit track includes 12-gauge copper conductors and features a double load capacity at 4800W max.
Single/Two Circuit Track is available in white,black,and satin nickel finishes,and in 4,6,and 8-foot sizes,and can also be field cut to your preference.



Liteharbor Lighting Technology Co., Ltd.
New Industry Area Hecun Danzao Town
Nanhai Foshan City Guangdong China

TEL: +86-757-8180 8675
FAX: +86-757-8180 8685
E-mail: info@liteharbor.com

Website: www.liteharbor.com
Specifications subject to change w/o notice
Revision: Jan. 2015

