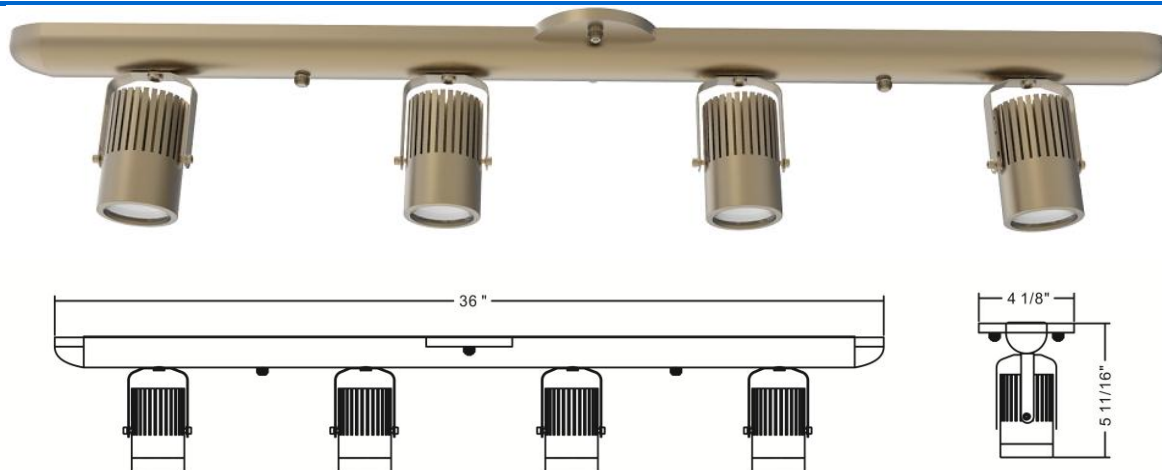


K2093-4C
Line Volt. Die-casting Track Head

Catalog #		Prepared by	LiteHarbor
Project		Date	
Notes			



ORDER MATRIX | Example:K2093-4C

<u>A</u>	<u>B</u>	<u>C</u>	<u>D</u>	<u>E</u>	<u>F</u>	<u>G</u>
A	Series					
K2093-4C	COB Track Light					
B	Finish					
WH	White					
BK	Black					
SV	Silver					
SN	Satin Nickel					
C	Power Supply					
ND120	Non-Dimming 120V					
ND277	Non-Dimming 277V					
D120	0-10V Dimming 120V					
D277	0-10V Dimming 277V					
D	LED Available					
Philips	Philips					
Cree	Cree					
Epistar	Epistar					
Seoul	Seoul					
Osram	Osram					

LED Light Engine

Color Temperature 2700K-6000K
 CRI 80+
 3 Step MacAdam(3 SDMC)
 Passive aluminum heat sink
 50,000 hrs average rated life

Electrical System

120V/277 50/60Hz input
 Over voltage, over current and short circuit protection:
 Auto recovery
 MTBF > 100,000 hours

Optics

16 °Spot, 24 °Narrow Flood, 32 °Flood

Dimming

Track Dimming
 — (ELV) reverse phase control dimmers. 120V only.
 — Dimmable 100-10%
 Canopy Dimming
 — ELV Dimming 120V
 — 0-10V Dimming 120V or 277V



TRACK LIGHTING



Liteharbor Lighting Technology Co., Ltd.

New Industry Area Hecun Danzao Town
 Nanhai Foshan City Guangdong China

TEL: +86-757-8180 8675

FAX: +86-757-8180 8685

E-mail: info@liteharbor.com

Website: www.liteharbor.com

Specifications subject to change w/o notice

Revision: Jan. 2015

E	Watt/Lumen
30/LAMP	30W / 2250LM Per Lamp
32/Lamp	32W / 2720LM Per Lamp

F	Color Temperature
27K	2700K
30K	3000K
40K	4000K
50K	5000K
60K	6000K

G	Beam Spread
16°	16° Spot
24°	24° Narrow Flood
32°	32° Flood
50°	50° Flood

Compatibility

Track luminaire is designed for use with the following track systems:

- Single Circuit/Single Neutral 120V
- Two Circuit/Single Neutral 120V
- Two Circuit/Two Neutral 120V
- Two Circuit/Two Neutral 277V

Mounting

Mounts to a standard 4" square or octagon junction box

Listing & Warranty:

ETL Listed to US and Canadian standards for dry locations
5-Year Limited Warranty



Liteharbor Lighting Technology Co., Ltd.

New Industry Area Hecun Danzao Town
Nanhai Foshan City Guangdong China

TEL: +86-757-8180 8675

FAX: +86-757-8180 8685

E-mail: info@liteharbor.com

Website: www.liteharbor.com

Specifications subject to change w/o notice

Revision: Jan. 2015

OPTIONAL ACCESSORIES



K500

Global Adaptor

Finish: WH/BK



K600

Single/Two Circuit Live End

Finish: WH/BK



K601

Single /Two Circuit End Feed

Finish: WH/BK



K602

Single/Two Circuit Flexible Connector

Finish: WH/BK



K604

T-bar Attachment Clips For T-bar Drop Ceiling

Finish: WH/BK/SN



K605

Single/Two Circuit Floating Canopy

Finish: WH/BK



K606

Single/Two Circuit Live End With Box Cover

Finish: WH/BK



K607

Track End Cap

Finish: WH/BK



K608

Mini Coupling

Finish: WH/BK



K609

Single/Two Circuit T-Connector

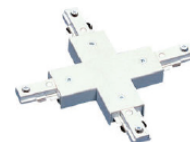
Finish: WH/BK



K610

Single Circuit 90° Connector

Finish: WH/BK



K611

Single/Two Circuit X-Connector

Finish: WH/BK



K612

Live End With Cord&Plug

Finish: WH/BK

Available in 2 wire,3 wire,4 wire



K5-3

Single Circuit/Two Circuit Track

Single circuit track is rated for 2400W

features 12-gauge copper conductors and

a separate ground conductor.

Two circuit track includes 12-gauge copper conductors and features a double load capacity at 4800W max.

Single/Two Circuit Track is available in white,black,and satin nickel finishes,and in 4,6,and 8-foot sizes,and can also be field cut to your preference.



Liteharbor Lighting Technology Co., Ltd.

New Industry Area Hecun Danzao Town
Nanhai Foshan City Guangdong China

TEL: +86-757-8180 8675

FAX: +86-757-8180 8685

E-mail: info@liteharbor.com

Website: www.liteharbor.com

Specifications subject to change w/o notice

Revision: Jan. 2015