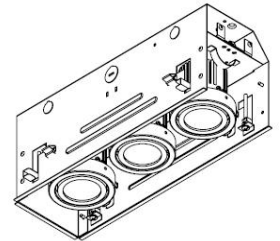
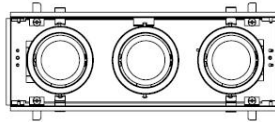
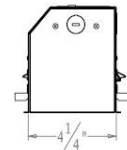
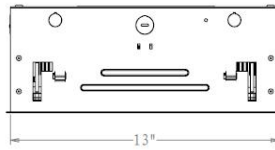


Trim or Trimless Residential Mini Multiple Downlight

Catalog #		Prepared by	LiteHarbor
Project		Date	
Notes			



ORDER MATRIX | Example: G4013-E-R-COB

<u>A</u>	<u>B</u>	<u>C</u>	<u>D</u>
	A	Series	
G4011-E-R-COB	1-Lamp		
G4012-E-R-COB	2-Lamp		
G4013-E-R-COB	3-Lamp		
G4014-E-R-COB	4-Lamp		
	B	Input Voltage	
	U	85-265V AC	
	C	Available Chips	
	Cree	Cree	
	Citizen	Citizen	
	Epistar	Epistar	
	Seoul	Seoul	
	Osram	Osram	

Description

Mini LED Multiple Spots for remodeling and new construction applications for residential and commercial environments. The Multiple Spots are marketed as complete units including the housing and trim. Available as one, two and three-light configurations, each spot is individually adjustable and provides a 30-degree visual cutoff for glare control.

Features

- Individually adjustable luminaries
- Complete unit includes housing & trim
- All housings are Non-IC rated
- 30° vertical tilt, 360° horizontal rotation

Construction

Die-cast aluminum heat sink painted white. Trim and housing are constructed of Gauge Steel.

Mounting

Available in 12.7mm-38.1mm thick ceilings
 Fix the lamp by locking screw From below the ceiling
 When Installing or removing the fixture, it won't damage the ceilings



MULTIPLE DOWNLIGHT



Liteharbor Lighting Technology Co., Ltd.

New Industry Area Hecun Danzao Town
 Nanhai Foshan City Guangdong China

TEL: +86-757-8180 8675

FAX: +86-757-8180 8685

E-mail: info@liteharbor.com

Website: www.liteharbor.com

Specifications subject to change w/o notice

Revision: Jan. 2015

D	Color Temperature
27K	2700K
30K	3000K
35K	3500K
41K	4100K
65K	6500K

Light Source

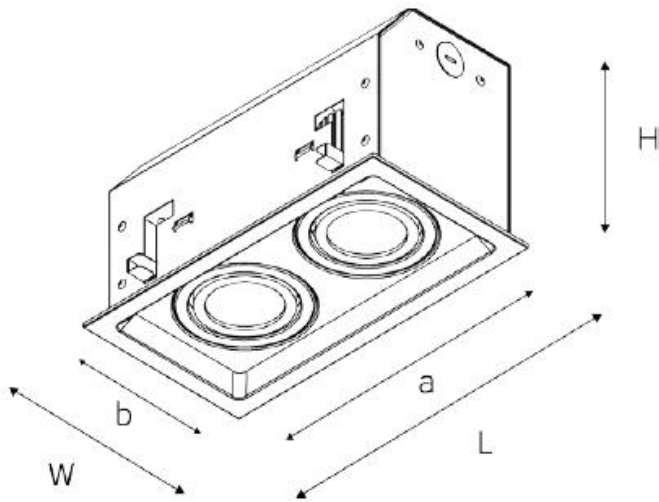
High output COB LED Chips

Dimming

Dimmable to 10% with most brand dimmers.

Input Voltage	AC 85-265V 50/60Hz
Rated Power	10/Lamp
Luminous Efficiency	70 LM/W
Lamp	COB
Color Temperature	2700-6500K
Material	Gauge Steel
Power Factor	> 0.98
CRI	Ra80 / Ra90

Size



1x1 SPOTS

L: 5"xW: 5"xH: 5"

Cut-Out(axb): 4 1/4" x 4 1/4"

1x2 SPOTS

L: 9 5/16"xW: 5"xH: 5"

Cut-Out(axb): 8 3/4" x 4 1/4"

1x3 SPOTS

L: 13 3/4"xW: 5"xH: 5"

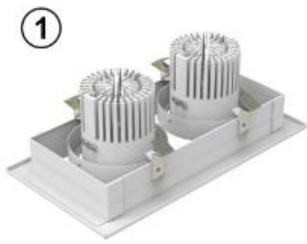
Cut-Out(axb): 13" x 4 1/4"

1x4 SPOTS

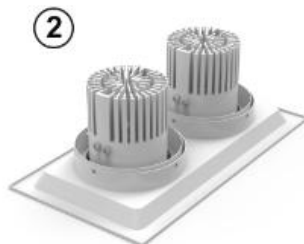
L: 17 7/8"xW: 5"xH: 5"

Cut-Out(axb): 17 7/16" x 4 1/4"





Hollow



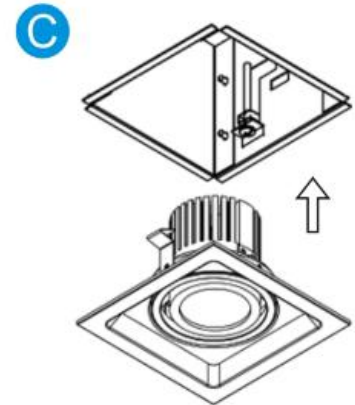
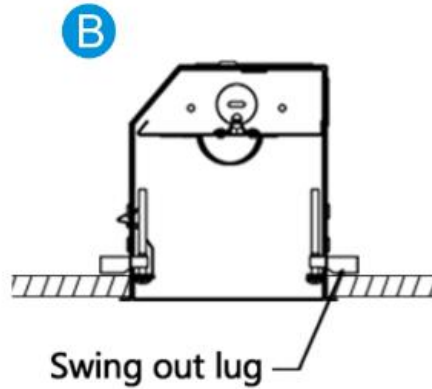
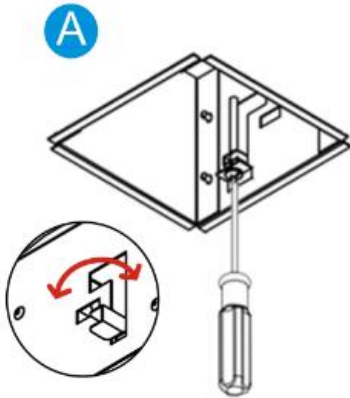
Closed

Option 1

Universal hollow open flanged design
Strong welding make a stable structure

Option 2

Special closed flanged design without seeing the body inside
One forming without welding spot make a better effect overall



INSTALLATION INSTRUCTION



MULTIPLE DOWNLIGHT



Liteharbor Lighting Technology Co., Ltd.

New Industry Area Hecun Danzao Town
Nanhai Foshan City Guangdong China

TEL: +86-757-8180 8675

FAX: +86-757-8180 8685

E-mail: info@liteharbor.com

Website: www.liteharbor.com

Specifications subject to change w/o notice

Revision: Jan. 2015