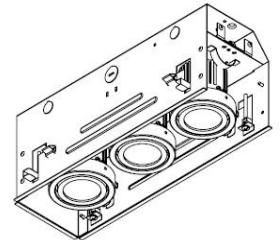
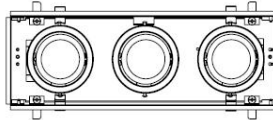
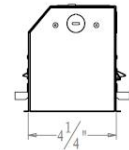
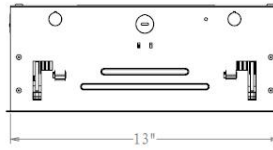


# Trim or Trimless Residential Mini Multiple Downlight

<b>Catalog #</b>		<b>Prepared by</b>	LiteHarbor
<b>Project</b>		<b>Date</b>	
<b>Notes</b>			



## ORDER MATRIX | Example: G4013-E-R-GU10

<u>A</u>	<u>B</u>	<u>C</u>	<u>D</u>
	A	Series	
G4011-E-R-GU10		1-Lamp	
G4012-E-R-GU10		2-Lamp	
G4013-E-R-GU10		3-Lamp	
G4014-E-R-GU10		4-Lamp	
	B	Input Voltage	
	U	85-265V AC	
	C	Available Chips	
	Cree	Cree	
	Citizen	Citizen	
	Epistar	Epistar	
	Seoul	Seoul	
	Osram	Osram	

### Description

Mini LED Multiple Spots for remodeling and new construction applications for residential and commercial environments. The Multiple Spots are marketed as complete units including the housing and trim. Available as one, two and three-light configurations, each spot is individually adjustable and provides a 30-degree visual cutoff for glare control.

### Features

- Individually adjustable luminaries
- Complete unit includes housing & trim
- All housings are Non-IC rated
- 30° vertical tilt, 360° horizontal rotation

### Construction

Trim and housing are constructed of Gauge Steel.

### Mounting

Available in 12.7mm-38.1mm thick ceilings  
 Fix the lamp by locking screw From below the ceiling  
 When Installing or removing the fixture, it won't damage the ceilings



MULTIPLE DOWNLIGHT



**Liteharbor Lighting Technology Co., Ltd.**  
 New Industry Area Hecun Danzao Town  
 Nanhai Foshan City Guangdong China

TEL: +86-757-8180 8675  
 FAX: +86-757-8180 8685  
 E-mail: info@liteharbor.com

Website: www.liteharbor.com  
 Specifications subject to change w/o notice  
 Revision: Jan. 2015

D	Color Temperature
28K	2800K
30K	3000K
35K	3500K
41K	4100K
60K	6000K

### Light Source

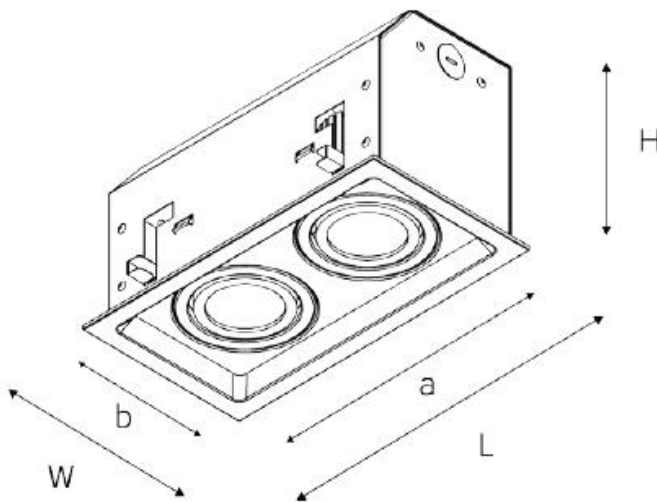
High output GU10 LED

### Dimming

Dimmable to 10% with most brand dimmers.

Input Voltage	AC 85-265V 50/60Hz
Rated Power	8W/Lamp
Luminous Efficiency	70 LM/W
Lamp	GU10
Socket	GU10
Color Temperature	2800-6000K
Material	Gauge Steel
CRI	Ra>80

### Size



#### 1x1 SPOTS

L: 5"xW: 5"xH: 5"

Cut-Out(axb): 4 1/4" x 4 1/4"

#### 1x2 SPOTS

L: 9 5/16"xW: 5"xH: 5"

Cut-Out(axb): 8 3/4" x 4 1/4"

#### 1x3 SPOTS

L: 13 3/4"xW: 5"xH: 5"

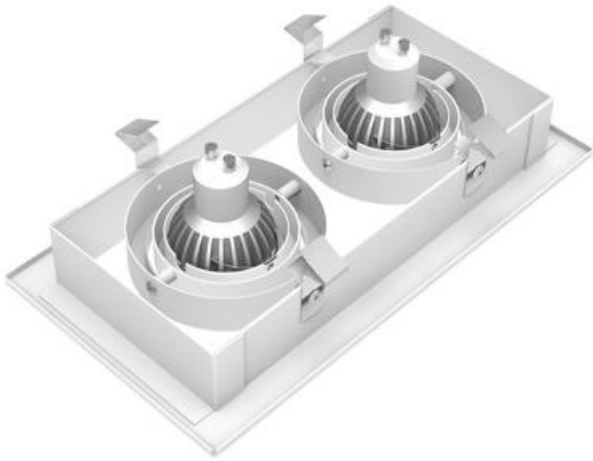
Cut-Out(axb): 13" x 4 1/4"

#### 1x4 SPOTS

L: 17 7/8"xW: 5"xH: 5"

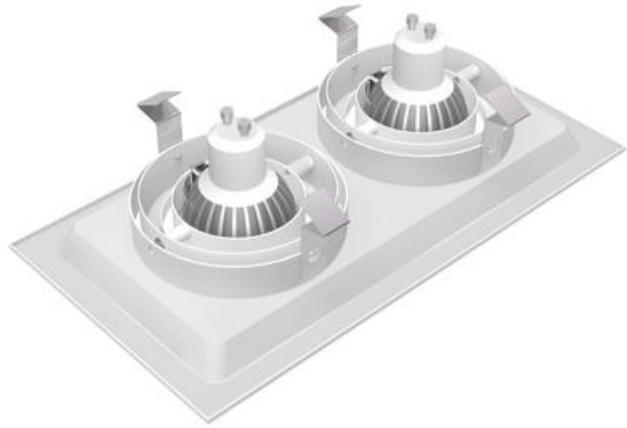
Cut-Out(axb): 17 7/16" x 4 1/4"





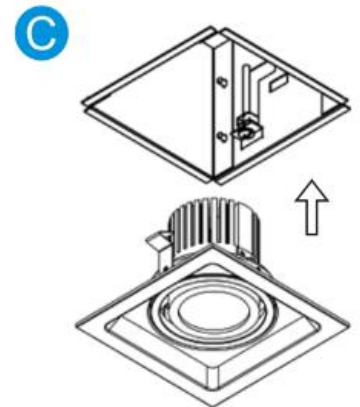
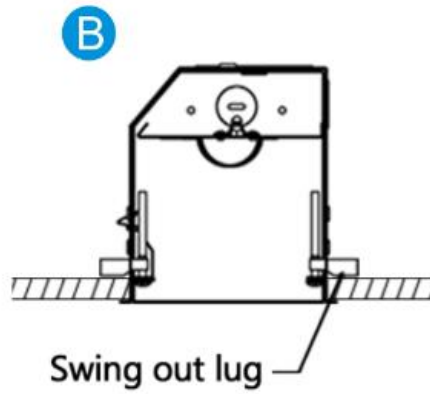
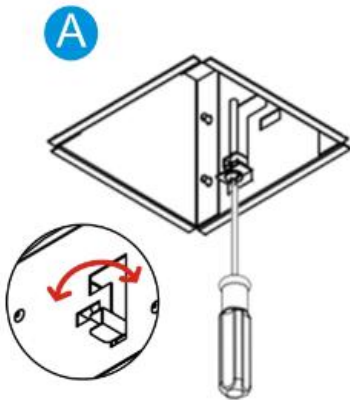
**Option 1**

Universal hollow open flanged design  
Strong welding make a stable structure



**Option 2**

Special closed flanged design without seeing the body inside  
One forming without welding spot make a better effect overall



**INSTALLATION INSTRUCTION**

