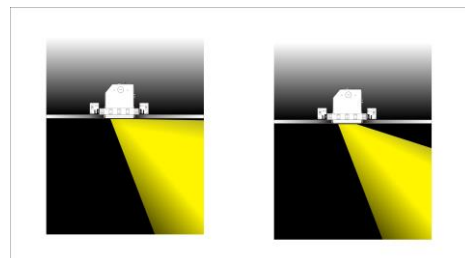
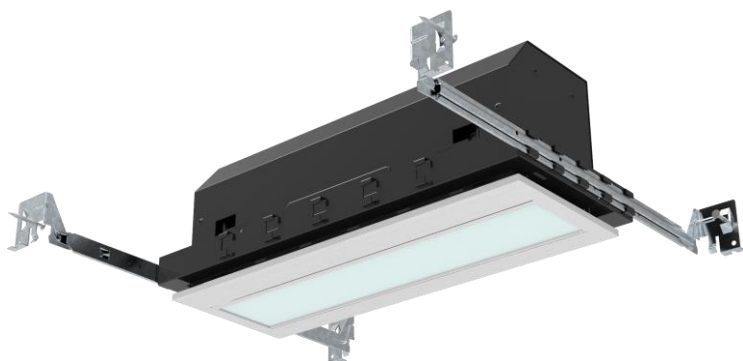


Wall Wash Multiple Downlight

Catalog #		Prepared by	LiteHarbor
Project		Date	
Notes			



ORDER MATRIX | Example: G4013-E-W

<u>A</u>	<u>B</u>	<u>C</u>	<u>D</u>
A	Series		
G4012-E-W	8"		
G4013-E-W	12"		
G4014-E-W	16"		
B	Input Voltage		
	120V		
230	230V		
277	277V		
90305	90-305V		
C	Dimmable		
	Non-Dimmable		
DM	Dimmable		
D	Available Chips		
Cree	Cree		
Citizen	Citizen		
Epistar	Epistar		
Seoul	Seoul		
Osram	Osram		

Description

Ideal for Retail, Hospitality, Lobby, Residential or Commercial Space

Break the Proportions and Limits of Spaces

No Unpleasant Dark Areas near the Ceiling

Enhance the Objects on the Wall

Makes the Room Appear Larger and More Spacious

It is Ideal for Creating a Visually Smooth, Flat Surface

Also be Ideal for Creating a Texted Surface

Features

Aluminum Material Lamp Body, Good Heat Dissipation

Available for 8", 12" and 16" Dimensions

Use Isolated Power Supply, Safe and Reliable

Allow Vertical 0~90 Degree Adjustment

Finish: WH08, BK, SN, CH

High Power Strip Multiple Downlight

Embedded Installation

Accommodate to 1/2" to 1 1/4" Thick Ceiling

Use FT4 Wire with High Flame Retardant

4-Way Hanger Bar for Ease Installation

Compatible Multi Brand Dimmer, Stable Dimming, No Strobe



MULTIPLE DOWNLIGHT



Liteharbor Lighting Technology Co., Ltd.

New Industry Area Hecun Danzao Town
Nanhai Foshan City Guangdong China

TEL: +86-757-8180 8675

FAX: +86-757-8180 8685

E-mail: info@liteharbor.com

Website: www.liteharbor.com

Specifications subject to change w/o notice

Revision: Mar. 2017

E	Wattage
80	80W
60	60W
40	40W

F	Lumen
4000	4000lm
6000	6000lm
8000	8000lm

G	Color Temperature
27K	2700K
30K	3000K
35K	3500K

H	CRI
80+	> 80 Ra
90+	> 90 Ra

Optical

Dimmable Optional

Solid White Light Led Modules are Available in 2700K-3500K

Can be used in Combination with the General Lighting and

High Contrast Versions

40W/60W/80W Optional

PF > 0.98

Light Source

SMD Chips

Packing

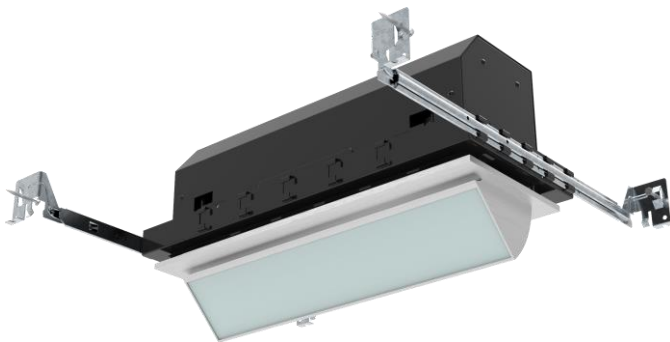
CTN Size: 460x400x300mm 4PCS/CTN

Inner Box Size: 445x385X137mm 2PCS/Inner Box

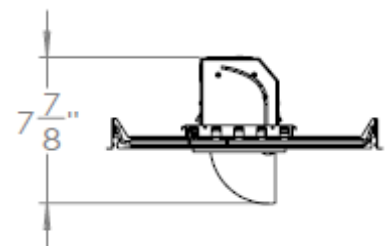
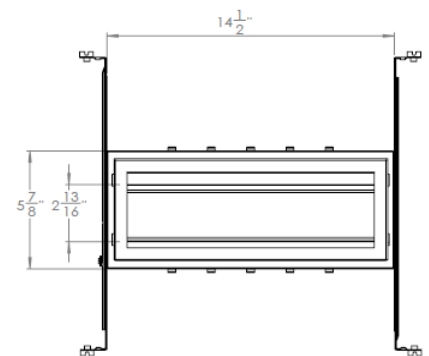
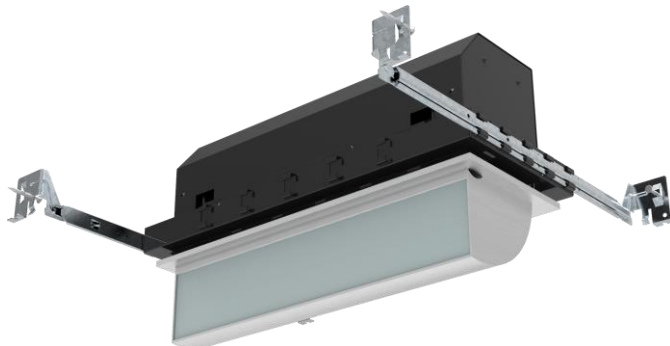


MULTIPLE DOWNLIGHT

45°



90°



Liteharbor Lighting Technology Co., Ltd.

New Industry Area Hecun Danzao Town
Nanhai Foshan City Guangdong China

TEL: +86-757-8180 8675

FAX: +86-757-8180 8685

E-mail: info@liteharbor.com

Website: www.liteharbor.com

Specifications subject to change w/o notice

Revision: Mar. 2017