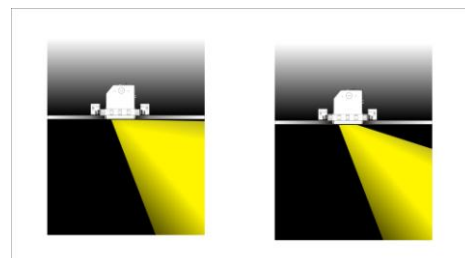
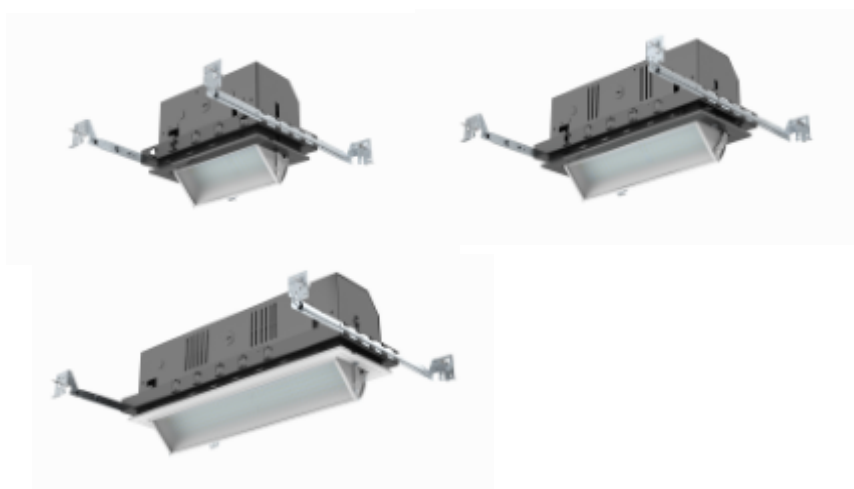


Wall Wash Multiple Downlight

Catalog #		Prepared by	LiteHarbor
Project		Date	
Notes			



ORDER MATRIX | Example: G4012-E-W

<u>A</u>	<u>B</u>	<u>C</u>	<u>D</u>
	A	Series	
G4012-E-W		2-Lamp	
G4013-E-W		3-Lamp	
G4014-E-W		4-Lamp	
	B	Input Voltage	
		120V	
	277	277V	
	U	120-277V	
	C	Dimmable	
		Non-Dimmable	
	DM	Dimmable	
	D	Available Chips	
	Cree	Cree	
	Citizen	Citizen	
	Epistar	Epistar	
	Seoul	Seoul	
	Osram	Osram	

Features

- Ideal for Retail, Hospitality, Lobby, Residential or Commercial Space
- Break the Proportions and Limits of Spaces
- No Unpleasant Dark Areas near the Ceiling
- Enhance the Objects on the Wall
- Makes the Room Appear Larger and More Spacious
- It is Ideal for Creating a Visually Smooth, Flat Surface
- Also be Ideal for Creating a Texted Surface

Description

- Recessed Multiple Downlight
- Available from 1 to 4 Light
- 4-Way Hanger Bar for Ease Installation
- Gauge Steel Housing
- Accommodate to 1/2" to 1 1/4" Thick Ceiling

Optical

- Dimmable Optional
- Solid White Light Led Modules are Available in 2700K-3500K
- Can be used in Combination with the General Lighting and High Contrast Versions
- 10W/20W/30W Optional
- PF > 90%



MULTIPLE DOWNLIGHT



Liteharbor Lighting Technology Co., Ltd.

New Industry Area Hecun Danzao Town
Nanhai Foshan City Guangdong China

TEL: +86-757-8180 8675

FAX: +86-757-8180 8685

E-mail: info@liteharbor.com

Website: www.liteharbor.com

Specifications subject to change w/o notice

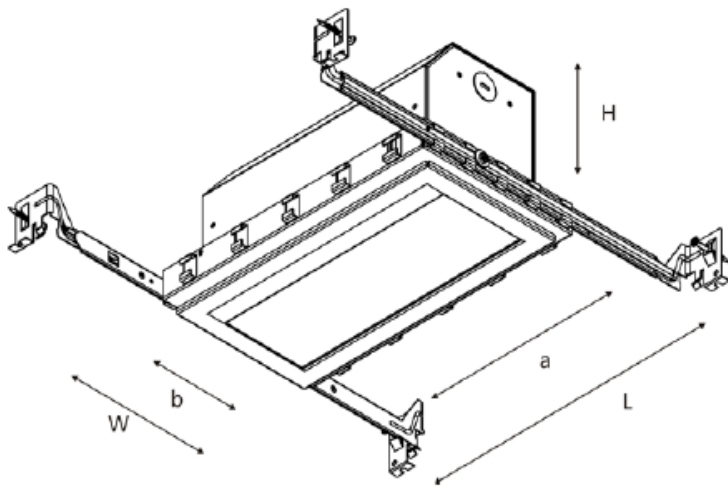
Revision: Jan. 2016

E	Wattage
80	80W
60	60W
40	40W

Light Source
SMD Chips

F	Color Temperature
27K	2700K
30K	3000K
35K	3500K

Size



Size: G4012-E-W

L: 10 9/16" x W: 6 1/4" x H: 5 1/16"
Cut-Out(axb): 8 3/4" x 4 3/8"

Size: G4013-E-W

L: 14 1/2" x W: 6 1/4" x H: 5 1/16"
Cut-Out(axb): 13 1/4" x 4 3/8"

Size: G4014-E-W

L: 18 7/8" x W: 6 1/4" x H: 5 1/16"
Cut-Out(axb): 17 7/16" x 4 3/8"



MULTIPLE DOWNLIGHT



Liteharbor Lighting Technology Co., Ltd.

New Industry Area Hecun Danzao Town
Nanhai Foshan City Guangdong China

TEL: +86-757-8180 8675

FAX: +86-757-8180 8685

E-mail: info@liteharbor.com

Website: www.liteharbor.com

Specifications subject to change w/o notice

Revision: Jan. 2016