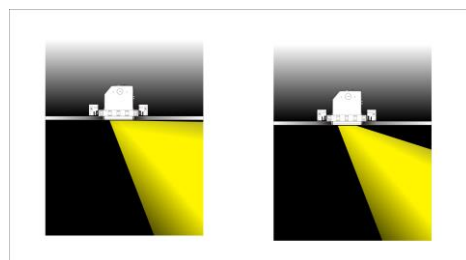
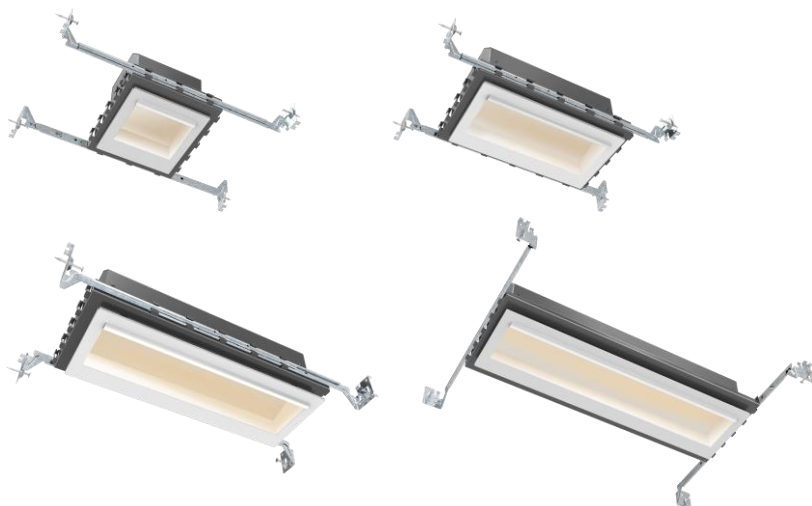


Wall Wash Multiple Downlight

Catalog #		Prepared by	LiteHarbor
Project		Date	
Notes			



ORDER MATRIX | Example: G4011-E-W

A	B	C	D
A	Series		
G4011-E-W	1-Lamp		
G4012-E-W	2-Lamp		
G4013-E-W	3-Lamp		
G4014-E-W	4-Lamp		
B	Input Voltage		
	120V		
277	277V		
U	120-277V		
C	Dimmable		
	Non-Dimmable		
DM	Dimmable		
D	Available Chips		
Cree	Cree		
Citizen	Citizen		
Epistar	Epistar		
Seoul	Seoul		
Osram	Osram		

Features

- Ideal for Retail, Hospitality, Lobby, Residential or Commercial Space
- Break the Proportions and Limits of Spaces
- No Unpleasant Dark Areas near the Ceiling
- Enhance the Objects on the Wall
- Makes the Room Appear Larger and More Spacious
- It is Ideal for Creating a Visually Smooth, Flat Surface
- Also be Ideal for Creating a Texted Surface

Description

- Recessed Multiple Downlight
- Available from 1 to 4 Light
- 4-Way Hanger Bar for Ease Installation
- Gauge Steel Housing
- Accommodate to 1/2" to 1 1/4" Thick Ceiling

Optical

- Dimmable Optional
- Solid White Light Led Modules are Available in 2700K-3500K
- Can be used in Combination with the General Lighting and High Contrast Versions
- 10W/20W/30W Optional
- PF > 90%



MULTIPLE DOWNLIGHT



Liteharbor Lighting Technology Co., Ltd.

New Industry Area Hecun Danzao Town
Nanhai Foshan City Guangdong China

TEL: +86-757-8180 8675

FAX: +86-757-8180 8685

E-mail: info@liteharbor.com

Website: www.liteharbor.com

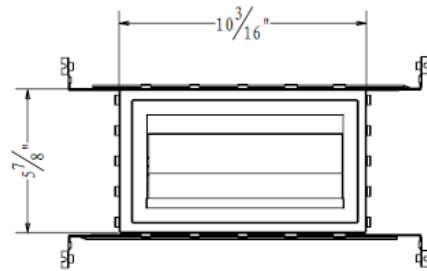
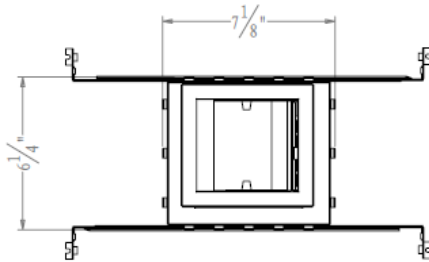
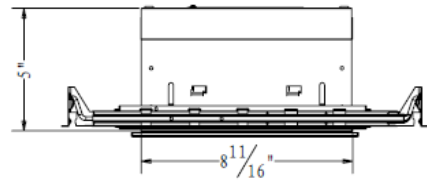
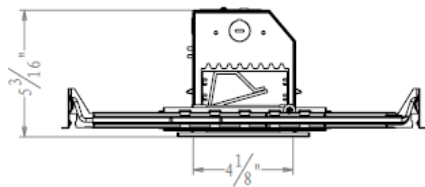
Specifications subject to change w/o notice

Revision: Jan. 2016

E	Wattage
30	30W
20	20W
10	10W

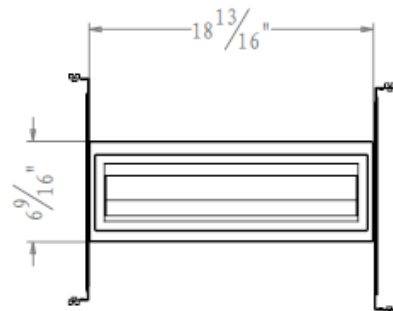
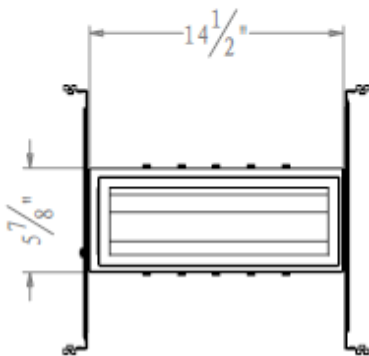
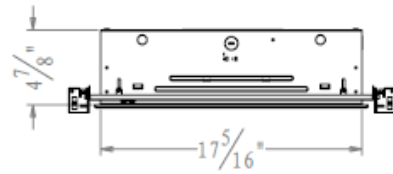
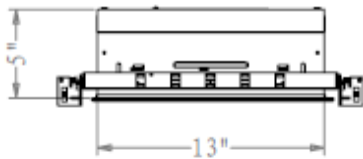
Light Source
SMD Chips

F	Color Temperature
27K	2700K
30K	3000K
35K	3500K



1-Light

2-Light



3-Light

4-Light



MULTIPLE DOWNLIGHT



Liteharbor Lighting Technology Co., Ltd.

New Industry Area Hecun Danzao Town
Nanhai Foshan City Guangdong China

TEL: +86-757-8180 8675

FAX: +86-757-8180 8685

E-mail: info@liteharbor.com

Website: www.liteharbor.com

Specifications subject to change w/o notice

Revision: Jan. 2016