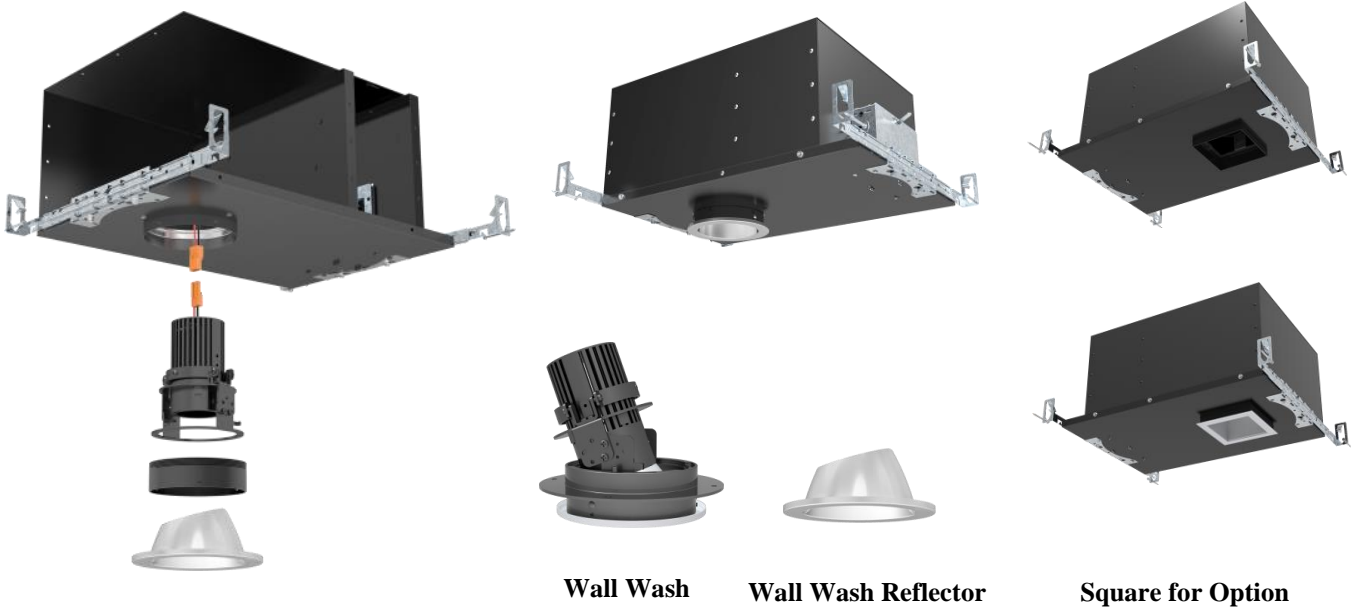


A35-M-W COB LED Recessed Downlight with Emergency System

Catalog #		Prepared by	LiteHarbor
Project		Date	
Notes			



Wall Wash

Wall Wash Reflector

Square for Option

3.5 Inch COB LED Recessed Downlight with Emergency System

Description

3.5 inch LED recessed fixtures with round or square apertures offer energy-efficient, precision lighting for accent, task, or wall wash applications.

This type LED luminaire approximates the performance of 50W halogen, but at only 12-watts input, consumes just one-fourth the energy.

A feature enriched, small aperture downlight, the innovative design allows the LED to be positioned closer to the aperture for maximum light output and efficiency or higher to minimize glare and flash on the trim.

Wall Wash Downlight

High performance wall wash with asymmetric distribution provides uniform illumination.

Allow for 358 degree rotation.

Trimless is available.

Order Matrix | Example: A35-M-W

A B C D E

Item No.:A35-M-W

A	Series
A35-M-W	3.5"/ Wall Wash
A35-M-S-W	3.5"/ Square Wall Wash

B	Input Voltage
	120V
230	230V
277	277V
U	120-277V

RECESSED DOWNLIGHT



Liteharbor Lighting Technology Co., Ltd.
New Industry Area Hecun Danzao Town
Nanhai Foshan City Guangdong China

TEL: +86-757-8180 8687
FAX: +86-757-8180 8685
E-mail: info@liteharbor.com

Website: www.liteharbor.com
Specifications subject to change w/o notice
Revision: May. 2016

Features

Separable rotating reflector design makes it easy for replacement.
Provide unique high-low lamp positioning with the simple twist of a screwdriver.

Optimize the design of emergency power supply to ensure the battery life.

Power supply using isolation scheme, driver can achieve high power factor and conversion efficiency, constant current output.

Universal 120V-277V driver with optional 0-10V standard dimming protocol.

Housing

Heavy duty black powder coated cold roll steel frame.

Design for New Construction installation.

Housing can be installed in 1/2" to 1-3/8" thick ceilings.

Housing types include IC Air-Tight or Non-IC Rated (must specify).

Junction box and driver are located on opposite ends of the housing, with easy access for maintenance and installation.

LED Light Engine

Input AC 120V 230V 277V (90-305V is optional)

12W 15W 20W

1000 1300 1600 Lumens

2700K, 3000K, 3500K, 4000K and 5000K

LED mounted to die-cast / extruded aluminum heat sink w/ active cooling

50,000 hours average rated life at 70% output

Optics

12 °Spot, 24 °Narrow Flood and 36 °Flood

Emergency Option

Remote test switch included.

Emergency driver operates LED load of up to 7.0 Watts at a maximum rated current (270 mA) for a minimum of 90 minutes.

Listing / Warranty

ETL listed to US and Canadian standards for damp location

W/Feed through.

5 Year Limited Warranty.

C	Wattage
L12	LED 12W
L15	LED 15W
L20	LED 20W

D	Lumen Output
1000	1000 Lumen
1300	1300 Lumen
1600	1600 Lumen

E	Color Temperature
27K	2700K
30K	3000K
35K	3500K
40K	4000K
50K	5000K



INSTALLATION

Housing types include IC Air-Tight, CCEA (Chicago Plenum), or Non-IC Rated (must specify).

Non-IC rated housings must be kept at a minimum of 3" away from insulation.

Butterfly brackets and adjustable hanger bars (14"-25") with integral nail included.

Butterfly brackets are compatible with C-channel, flat bar hanger and EMT.

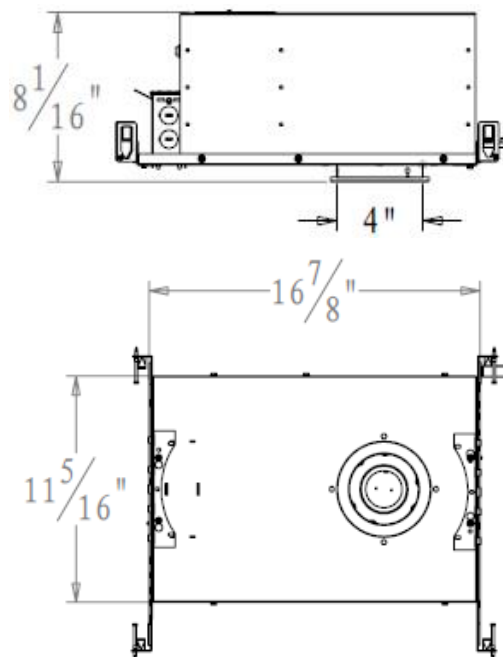
C-channel is recommended for T-bar ceilings.

C-Channel and flat C-Channel and flat bar hangers must be ordered separately.

PACKAGE

CTN Size: 490*390*223mm

1 PCS/CTN



RECESSED DOWNLIGHT



Liteharbor Lighting Technology Co., Ltd.

New Industry Area Hecun Danzao Town
Nanhai Foshan City Guangdong China

TEL: +86-757-8180 8687

FAX: +86-757-8180 8685

E-mail: info@liteharbor.com

Website: www.liteharbor.com

Specifications subject to change w/o notice

Revision: May, 2016