



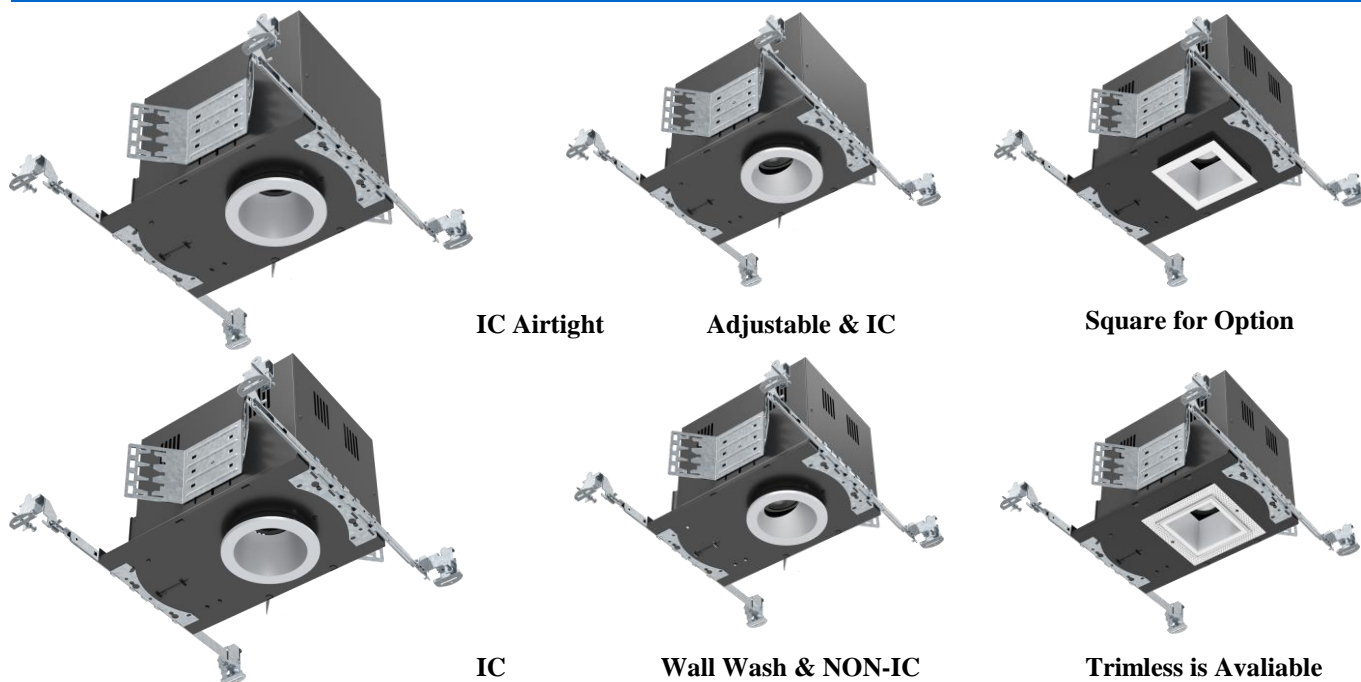
SMALLER, BUT BRIGHTER

Ideal for a broad range of applications



A35-M-1 High Performance 3.5" COB LED Recessed Downlight Kits

Catalog #		Prepared by	LiteHarbor
Project		Date	
Notes			



IC Airtight

Adjustable & IC

Square for Option

IC

Wall Wash & NON-IC

Trimless is Available

3.5 Inch Residential & Commercial COB Recessed Downlight Kits

Order Matrix | Example: A35-M-1-S-W-IC-TL

A B C D E F G H I J
K L

Description

3.5 inch LED recessed fixtures with round or square apertures offer energy-efficient, precision lighting for accent, task, or wall wash applications.

This type LED luminaire approximates the performance of 50W halogen, but at only 12-watts input, consumes just one-fourth the energy.

A feature enriched, small aperture downlight, the innovative design allows the LED to be positioned closer to the aperture for maximum light output and efficiency or higher to minimize glare and flash on the trim.

Features

Separable rotating reflector design makes it easy for replacement.

Provide unique high-low lamp positioning with the simple twist of a screwdriver.

Power supply using isolation scheme, driver can achieve high power factor and conversion efficiency, constant current output.

Item No.:A35-M-1

A	Series
A35-M-1	3.5" Downlight
B	Aperture Opening
	Round
S	Square
C	Functions
	Vertical Downlight
A	Adjustable Downlight
W	Wall Wash Downlight



Liteharbor Lighting Technology Co., Ltd.
New Industry Area Hecun Danzao Town
Nanhai Foshan City Guangdong China

TEL: +86-757-8180 8687
FAX: +86-757-8180 8685
E-mail: info@liteharbor.com

Website: www.liteharbor.com
Specifications subject to change w/o notice
Revision: May. 2016

Universal 120V-277V driver with optional 0-10V standard dimming protocol.

Housing

Heavy duty black powder coated cold roll steel frame.
 Design for New Construction installation.
 Housing can be installed in 1/2" to 1-3/8" thick ceilings.
 Housing types include IC Air-Tight or IC Rated (must specify).
 Junction box and driver are located on opposite ends of the housing, with easy access for maintenance and installation.
 Optional round or square aperture shape.
 Trimless design is available.

LED Light Engine

Optional branded COB LED chips
 Input AC 120V 230V 277V (90-305V is optional.)
 12W 15W 20W
 1000 1300 1600 Lumens
 2700K, 3000K, 3500K, 4000K and 5000K at 80+ CRI
 2700K, 3000K, 3500K, 4000K and 5000K at 90+ CRI
 PF > 0.98
 Dimmable options: NONE, TRIAC or RD 0-10V
 LED mounted to die-cast / extruded aluminum heat sink w/ active cooling
 50,000 hours average rated life at 70% output

Optics

12° Spot, 24° Narrow Flood and 36° Flood

Applications

Widely used for commercial and residential applications.

Listing / Warranty

ETL listed to US and Canadian standards for damp location
 W/Feed through.
 5 Year Limited Warranty.

PACKAGE

CTN Size: 490*390*223mm
 1 PCS/CTN

D	IC Rated Type
	IC
IA	IC Airtight
E	Trim
	Trimmed
TL	Trimless
F	Install
	General Bar Hanger
C	C-channel Bar Hanger
G	Finish
WH	White
BK	Black
SN	Satin Nickel
H	LED Available
CREE	CREE
Citizen	Citizen
Epistar	Epistar
Seoul	Seoul
Osram	Osram
I	Wattage/Lumen
L12	LED 12W/1000 Lumen
L15	LED 15W/1300 Lumen
L20	LED 20W/1600 Lumen
J	Beam Angle
12°	12° Spot
24°	24° Spot
36°	36° Spot
K	Color Temperature
27K	2700K
30K	3000K
35K	3500K
40K	4000K
50K	5000K



RECESSED DOWNLIGHT



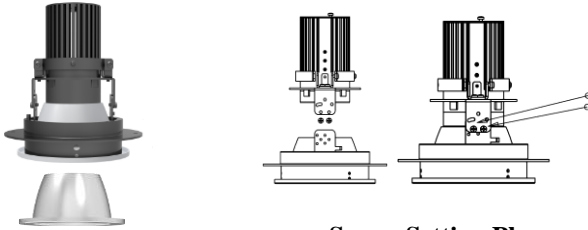
Liteharbor Lighting Technology Co., Ltd.
 New Industry Area Hecun Danzao Town
 Nanhai Foshan City Guangdong China

TEL: +86-757-8180 8687
 FAX: +86-757-8180 8685
 E-mail: info@liteharbor.com

Website: www.liteharbor.com
 Specifications subject to change w/o notice
 Revision: May. 2016

Vertical Downlight

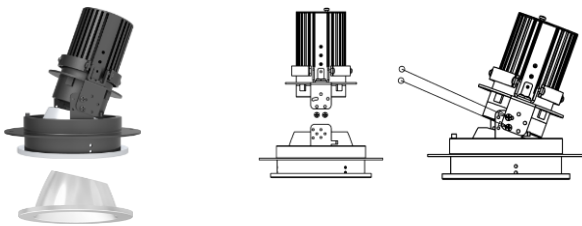
With precision optics and adjustments, luminaires put exactly the right amount of light in precisely the right places.
 Round type can achieve 3 beam angles without replacing any parts.
 Allow for 358 degree rotation.
 Vertical downlight used with vertical reflector matched.



Screw Setting Place

Adjustable Downlight

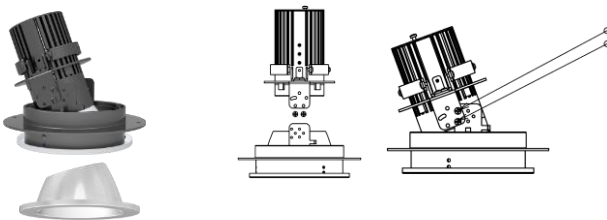
Additional adjustability allows for locking including 0°-30° tilt and 358° rotation while always maintaining center beam candle power.
 Adjustable downlight used with adjustable reflector matched.



Screw Setting Place

Wall Wash Downlight

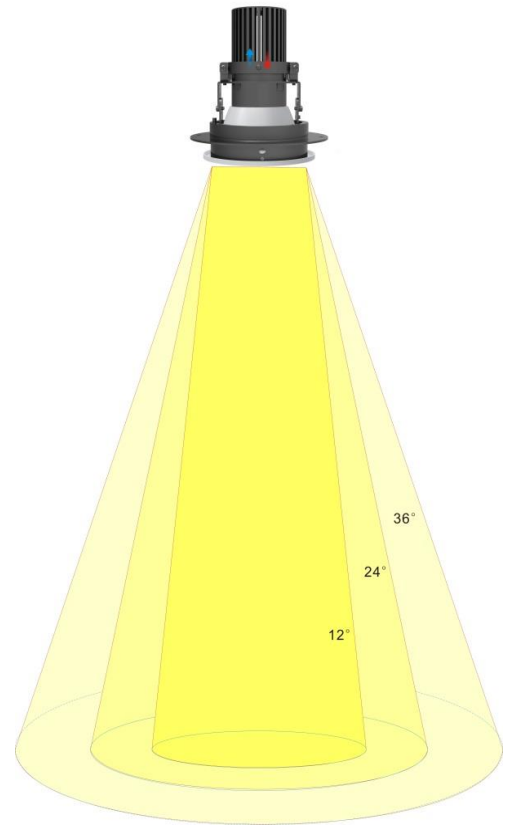
High performance wall wash with asymmetric distribution provides uniform illumination.
 Allow for 358 degree rotation.
 Wall wash downlight used with wall washing reflector matched.



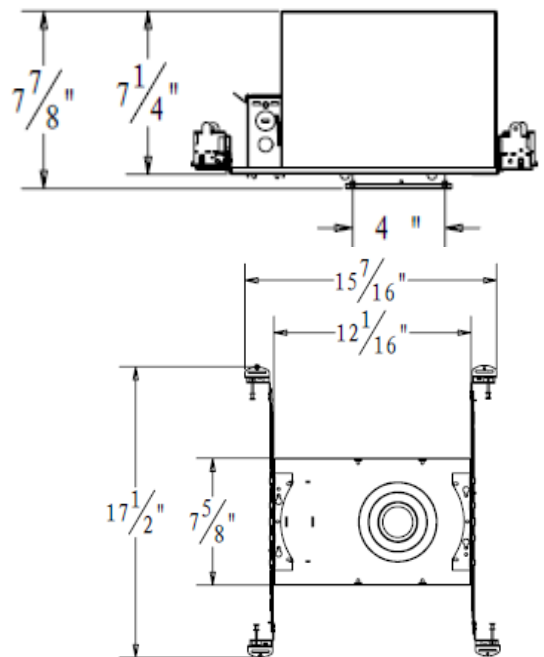
Screw Setting Place

L	Dimmable
	Non-Dimmable
TD	TRIAC Dimming
D	0-10V Dimming

Downlight Beam Angles



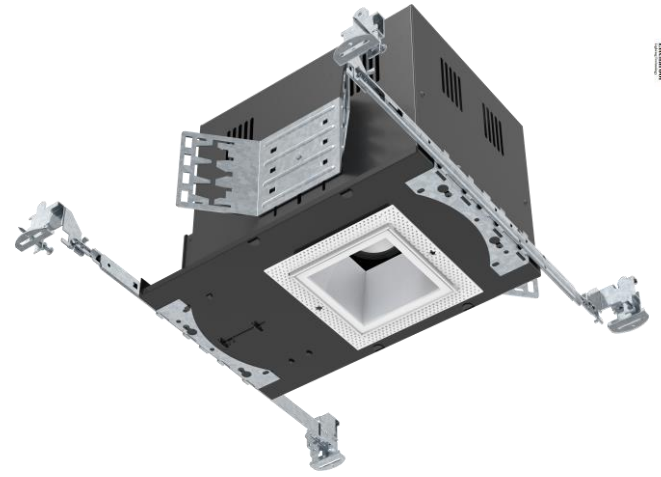
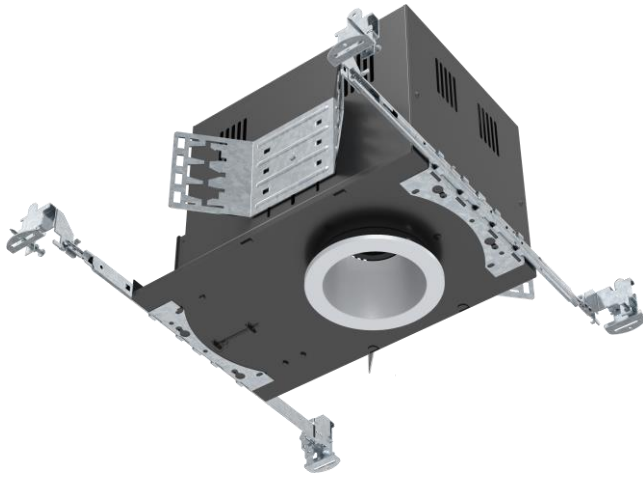
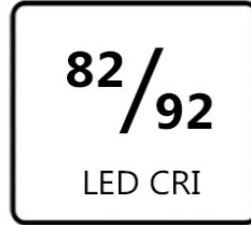
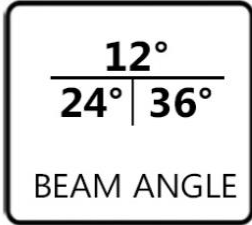
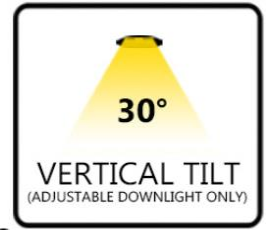
RECESSED DOWNLIGHT



Liteharbor Lighting Technology Co., Ltd.
 New Industry Area Hecun Danzao Town
 Nanhai Foshan City Guangdong China

TEL: +86-757-8180 8687
 FAX: +86-757-8180 8685
 E-mail: info@liteharbor.com

Website: www.liteharbor.com
 Specifications subject to change w/o notice
 Revision: May, 2016



Exploded View



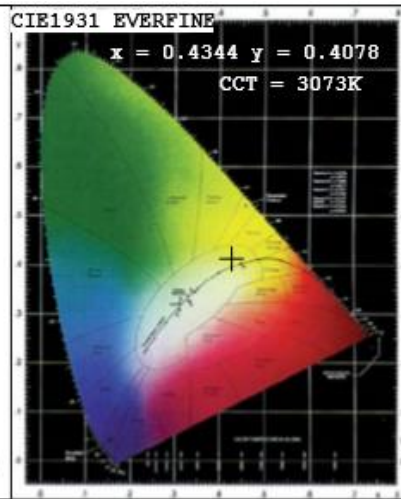
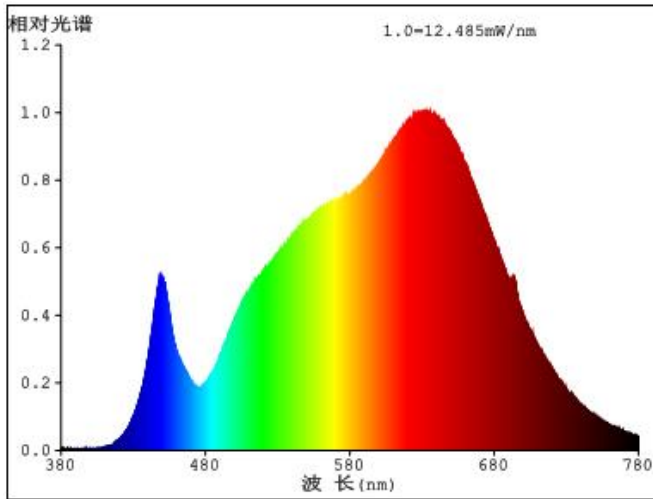
RECESSED DOWNLIGHT



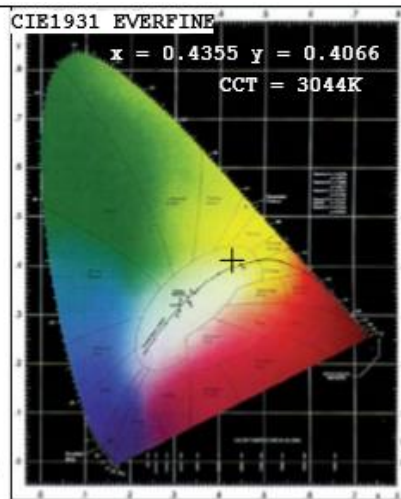
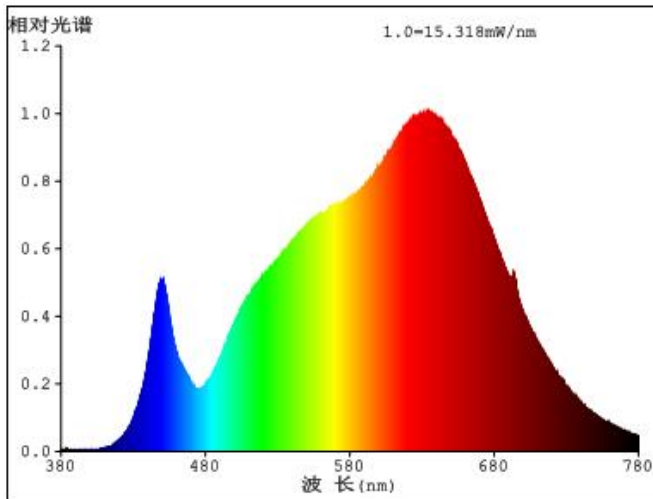
Liteharbor Lighting Technology Co., Ltd.
New Industry Area Hecun Danzao Town
Nanhai Foshan City Guangdong China

TEL: +86-757-8180 8687
FAX: +86-757-8180 8685
E-mail: info@liteharbor.com

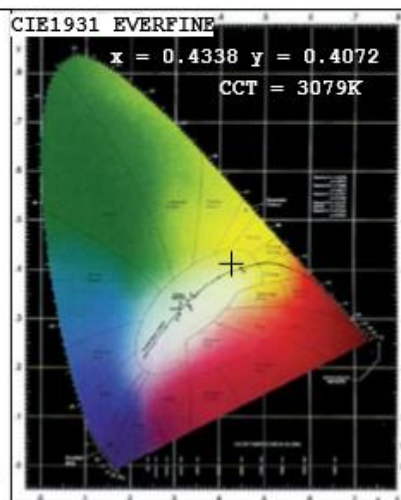
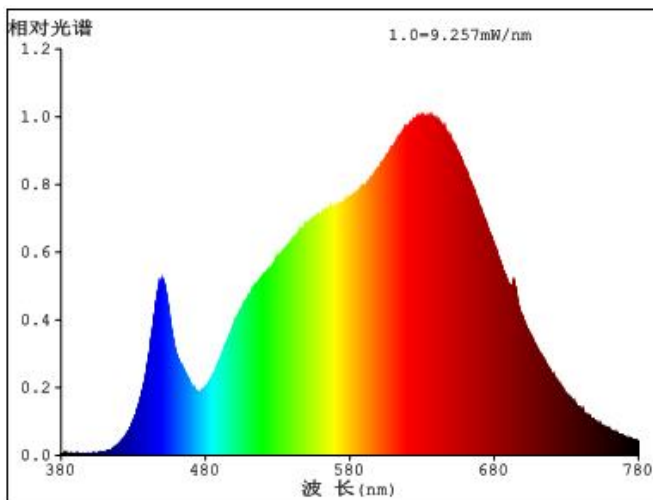
Website: www.liteharbor.com
Specifications subject to change w/o notice
Revision: May, 2016



Lamp & Reflector



Light Source



Whole Lamp



RECESSED DOWNLIGHT



Liteharbor Lighting Technology Co., Ltd.
 New Industry Area Hecun Danzao Town
 Nanhai Foshan City Guangdong China

TEL: +86-757-8180 8687
 FAX: +86-757-8180 8685
 E-mail: info@liteharbor.com

Website: www.liteharbor.com
 Specifications subject to change w/o notice
 Revision: May, 2016

INSTALLATION INSTRUCTION

ITEM NO.:A35-M-1

1. Read all instructions before installing.
2. System is intended for installation by a qualified electrician in accordance with the National Electrical Code and local regulations.
3. Go to the main fuse box, or circuit breaker. Place the main power switch in the “OFF” position and unscrew the fuse(s) or switch “OFF” the circuit breaker switch(es) that control the power to the fixture or room that you are working on.
4. Place the wall switch in the “OFF” position.

NEW CONSTRUCTION HOUSING MOUNTING:

- 1). Install mounting frame using two hanger bars, (24 1/2” max).Bars are notched on the ends to fit over “T” bars in suspended ceilings.Hanger bars include a captive mounting “screw-nail” forease of installation (as Fig.1). Align the bottom of the hanger bar with the bottom of the wood joist. Secure the “screw-nail” on each end by screwdriver (as Fig.A), or by hammer (as Fig.B).
- 2). Slide fixture along bar hangers into desired location.Use locking screws to secure (as Fig.C).
- 3). Screw in the mud plate into the ceiling(Fig.3).
- 4). Connect the quick connector(Fig.4).
- 5). Push the LED engine into housing and rotate the fixed bracket 180 degree to fix the LED engin to the housing plate(Fig.5).
- 6). Push the trim into housing(Fig.6).
- 7). Finsh the installation(Fig.7).

