

A35-M-2 3.5 Inch COB LED Shallow Recessed Downlight Kits

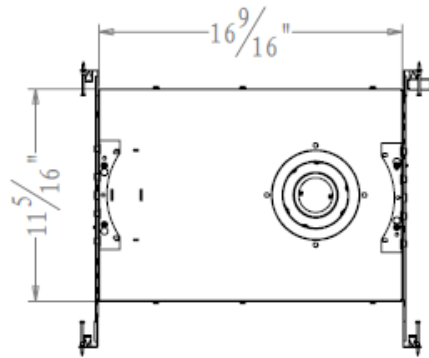
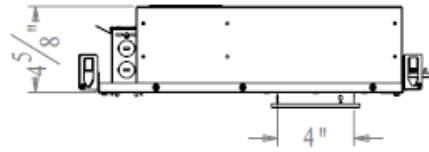
Catalog #		Prepared by	LiteHarbor
Project		Date	
Notes			



Round



Square



3.5 Inch COB LED Shallow Recessed Downlight Kits Series

Description

3.5 inch Shallow LED recessed fixtures with round or square apertures offer energy-efficient, precision lighting for accent, task, or wall wash applications.

This dimmable LED recessed light is designed with only a 4-5/8" high housing to easily fit into new construction tight plenums.

A feature enriched, small aperture downlight, the innovative design allows the LED to be positioned closer to the aperture for maximum light output and efficiency or higher to minimize glare and flash on the trim.

This low profile LED downlight delivers about 950 lumens of award-winning lighting performance while using minimal plenum space. Let your ceilings stand tall, and give them the room they deserve.

Order Matrix | Example: A35-M-2-S-W-IC-TL

A B C D E F G H I J

Item No.:A35-M-2

A	Series
A35-M-2	3.5" Shallow Downlight

B	Aperture Opening
	Round
S	Square

C	Functions
	Vertical Downlight
A	Adjustable Downlight
W	Wall Wash Downlight



RECESSED DOWNLIGHT



Liteharbor Lighting Technology Co., Ltd.
New Industry Area Hecun Danzao Town
Nanhai Foshan City Guangdong China

TEL: +86-757-8180 8687
FAX: +86-757-8180 8685
E-mail: info@liteharbor.com

Website: www.liteharbor.com
Specifications subject to change w/o notice
Revision: May, 2016

Features

Separable rotating reflector design makes it easy for replacement.
Provide unique high-low lamp positioning with the simple twist of a screwdriver.

Power supply using isolation scheme, driver can achieve high power factor and conversion efficiency, constant current output.

Universal 120V-277V driver with optional 0-10V standard dimming protocol.

Housing

Heavy duty black powder coated cold roll steel frame.

Design for New Construction installation.

Housing can be installed in 1/2" to 1-3/8" thick ceilings.

Housing types include IC Air-Tight or Non-IC Rated (must specify).

Junction box and driver are located on opposite ends of the housing, with easy access for maintenance and installation.

Optional round or square aperture shape.

Trimless design is available.

LED Light Engine

Optional branded COB LED chips

Input AC 120V 230V 277V (90-305V is optional.)

2700K, 3000K, 3500K, 4000K and 5000K at 80+ CRI

2700K, 3000K, 3500K, 4000K and 5000K at 90+ CRI

PF > 0.98

This energy efficient downlight uses only 12-watts and is comparable to a 50-watt Halogen light bulb.

Dimmable options: NONE, TRIAC or RD 0-10V

LED mounted to die-cast / extruded aluminum heat sink w/ active cooling

50,000 hours average rated life at 70% output

Optics

12° Spot, 24° Narrow Flood and 36° Flood

Applications

Widely used for commercial and residential applications.

Listing / Warranty

ETL listed to US and Canadian standards for damp location

W/Feed through.

5 Year Limited Warranty.

D	IC Rated Type
	NON-IC
IC	IC
E	Trim
	Trimmed
TL	Trimless
F	Finish
WH	White
BK	Black
SN	Satin Nickel
G	Input Voltage
	120V
230	230V
277	277V
U	120-277V
H	Wattage
L12	LED 12W
I	Lumen Output
950	950 Lumen
J	Color Temperature
27K	2700K
30K	3000K
35K	3500K
40K	4000K
50K	5000K



Liteharbor Lighting Technology Co., Ltd.

New Industry Area Hecun Danzao Town
Nanhai Foshan City Guangdong China

TEL: +86-757-8180 8687

FAX: +86-757-8180 8685

E-mail: info@liteharbor.com

Website: www.liteharbor.com

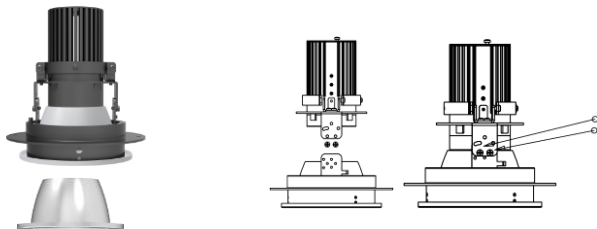
Specifications subject to change w/o notice

Revision: May. 2016



Vertical Downlight

With precision optics and adjustments, luminaires put exactly the right amount of light in precisely the right places.
Round type can achieve 3 beam angles without replacing any parts.
Allow for 358 degree rotation.
Vertical downlight used with vertical reflector matched.



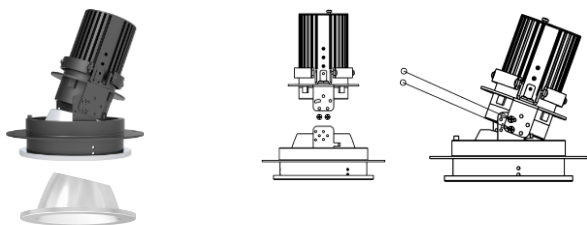
Screw Setting Place



Round

Adjustable Downlight

Additional adjustability allows for locking including 0°-30° tilt and 358° rotation while always maintaining center beam candle power.
Adjustable downlight used with adjustable reflector matched.



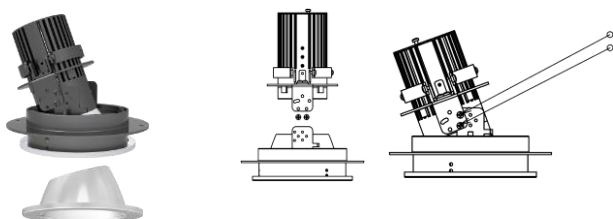
Screw Setting Place



Square

Wall Wash Downlight

High performance wall wash with asymmetric distribution provides uniform illumination.
Allow for 358 degree rotation.
Wall wash downlight used with wall washing reflector matched.



Screw Setting Place



RECESSED DOWNLIGHT



Liteharbor Lighting Technology Co., Ltd.

New Industry Area Hecun Danzao Town
Nanhai Foshan City Guangdong China

TEL: +86-757-8180 8687

FAX: +86-757-8180 8685

E-mail: info@liteharbor.com

Website: www.liteharbor.com

Specifications subject to change w/o notice

Revision: May. 2016

INSTALLATION

Housing types include IC Air-Tight, CCEA (Chicago Plenum), or Non-IC Rated (must specify).

Non-IC rated housings must be kept at a minimum of 3" away from insulation.

adjustable hanger bars (14"-25") with integral nail included.

PACKAGE

CTN Size: 490*390*153mm

1 PCS/CTN



RECESSED DOWNLIGHT



Liteharbor Lighting Technology Co., Ltd.

New Industry Area Hecun Danzao Town

Nanhai Foshan City Guangdong China

TEL: +86-757-8180 8687

FAX: +86-757-8180 8685

E-mail: info@liteharbor.com

Website: www.liteharbor.com

Specifications subject to change w/o notice

Revision: May. 2016