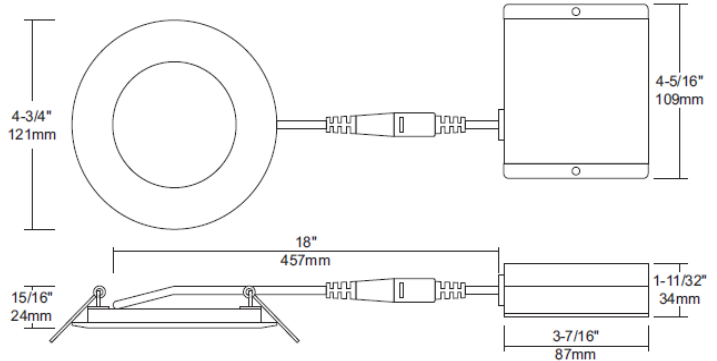


**BL4-301**  
**4" Super-thin Round LED**  
**Recessed Panel Light**

<b>Catalog #</b>		<b>Prepared by</b>	LiteHarbor
<b>Project</b>		<b>Date</b>	
<b>Notes</b>			



**4" Super-thin Round LED Recessed Panel Light**

**Description**

With only 1/2" clearance, this ultra thin recessed LED Panel is absolutely perfect for tight spaces, soffits and insulated and dropped ceilings. Recessed 4" round LED panel with integral driver in connection box. Fits where no other recessed fixture can. This LED is 10 watts and replaces a 50 watt halogen. Save up to 80% energy for same light output. The thin Panel profile with spring clips allows for quick and easy installation. Ideal for confined spaces and suitable for damp locations.

**Features**

Available in all 4" round openings.  
 Retrofit or New Construction  
 1/2" Thin - Install Directly Under Joists, Maximum Layout Flexibility  
 Comes with Junction Box & Driver, No Housing Required  
 Fast & Easy To Install

A    B    C    D    E

**Item No.: BL4-301**

PANEL LIGHT

<u>A</u> Series
BL4-301 4" Round & Remodel
BL4-301-NC 4" Round & New Construction

<u>B</u> Input Voltage
120V
277 277V
U 120-347V

<u>C</u> Color Temperature
27 2700K
30 3000K
40 4000K

<u>D</u> Dimmable
Non-Dimmable
DM Dimmable



**Liteharbor Lighting Technology Co., Ltd.**  
 New Industry Area Hecun Danzao Town  
 Nanhai Foshan City Guangdong China

TEL: +86-757-8180 8675  
 FAX: +86-757-8180 8685  
 E-mail: info@liteharbor.com

Website: www.liteharbor.com  
 Specifications subject to change w/o notice  
 Revision: Jan. 2016

## Mounting

Cut Hole In Ceiling And Snap Fixture In Opening  
With Attached Spring Clips. 2" Above Ceiling Clearance  
Required For Driver.

## Specification

Applications	Recessed Ceiling Mount
Wattage	10W
Light Output	830lm
CRI	80+/90+
CCT	2700K-4000K
Driver Input	120V AC or 277V-347V AC 50/60 Hz
Power Factor	0.98
Dimming	TRIAC Dimmers 10%-100% (120V only)
Location	Insulated Ceiling & Damp Locations
Lifespan	50,000 Hours at 70% Light Output
Certification	ETL/ENERGY STAR
Warranty	5 Year Limited for Fixture & Driver

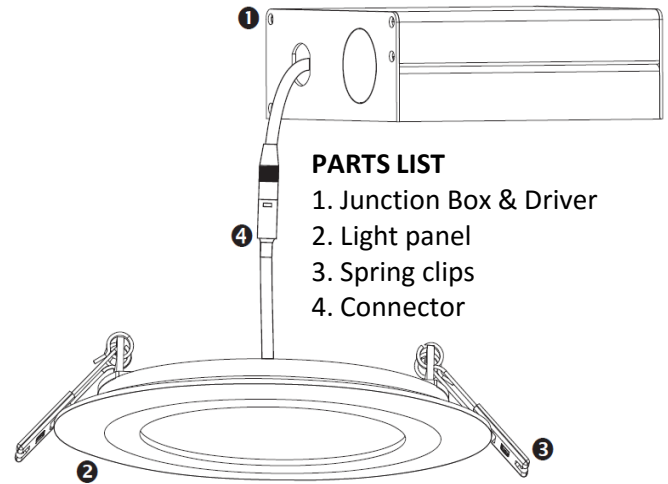
## Packing

CTN Size:480X305X285mm  
Inner Box Size: 145X75X130mm  
24PCS/CTN

## Installation Instructions

1. Turn power OFF from the electrical panel prior to installation.
2. Determine the location for installation and cut ceiling hole in accordance with cut-hole dimensions. Refer to *Hole Diameter* table for appropriate sizes. (Fig. 1)
3. Open the junction box cover and remove the appropriate knockout(s) on the side panel. (Fig. 2)
4. Insert the electrical supply cable through the knockout and secure with a cable connector (sold separately).
5. Using quick-connect push-in terminals, connect the ground wire to the green wire terminal; black wire to black wire terminal; white wire to white wire terminal. (Fig. 2)

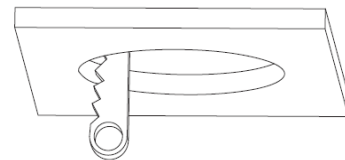
E	Finish
WH	White
BK	Black
SN	Satin Nickel



### PARTS LIST

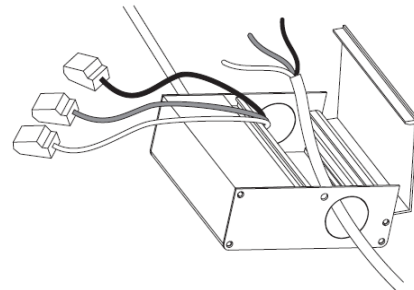
1. Junction Box & Driver
2. Light panel
3. Spring clips
4. Connector

Fig. 1



Hole diameter/Diamètre de perforation:	
PROF40 (4")	4 1/4" ± 1/8" (110 ±
PROF60 (6")	6 5/16" ± 1/8" (160 ± 3mm)

Fig. 2



6. Place all wiring and connections back in to the box and close the cover. Connect the driver to the light panel.

7. Insert junction box through the mounting hole. (Fig. 3)

8. Push spring-loaded clips on the fixture upwards and insert fixture base in to the mounting hole. Release the clips and fixture will be pulled flush to the ceiling. (Fig. 4)

Fig. 3

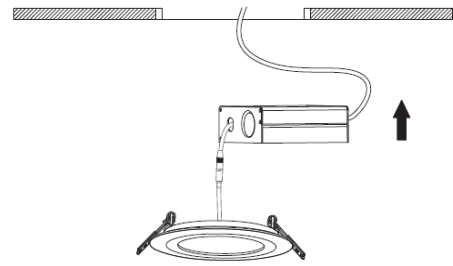
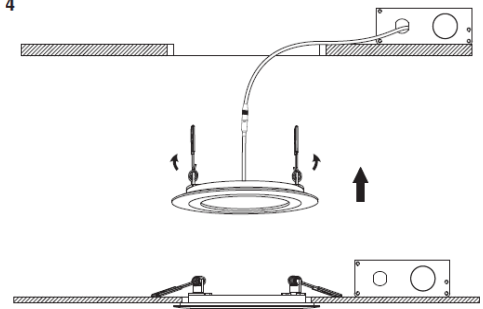


Fig. 4



## New Construction



PANEL LIGHT



**Liteharbor Lighting Technology Co., Ltd.**

New Industry Area Hecun Danzao Town

Nanhai Foshan City Guangdong China

TEL: +86-757-8180 8675

FAX: +86-757-8180 8685

E-mail: info@liteharbor.com

Website: www.liteharbor.com

Specifications subject to change w/o notice

Revision: Jan. 2016