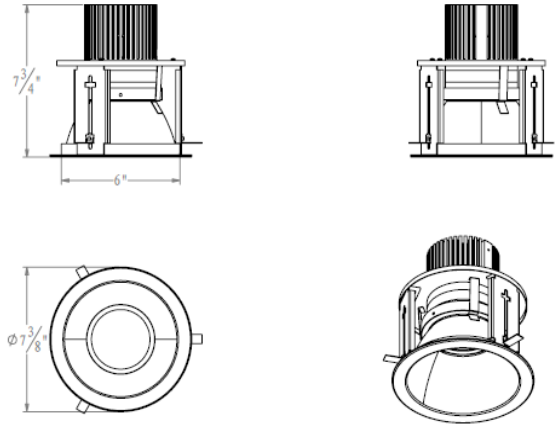


# BL6-002-R Universal 6" LED Retrofit Downlight

<b>Catalog #</b>		<b>Prepared by</b>	LiteHarbor
<b>Project</b>		<b>Date</b>	
<b>Notes</b>			



## Universal 6" LED Retrofit Downlight

### Description

6" LED Downlight Retrofit is available in 1000 to 2200 lumens, with input wattages ranging from 12 to 30W. With an expected service life of 50,000 hours. It helps reduce operating cost by providing over 10 years of maintenance free operation, eliminating the need for lamp inventory and incorrect lamp/color temperature installation. A Chicago Plenum option is also available.

Residential & Commercial & Architectural are all available

### Feature

One fixture converts nearly any manufacturers incandescent, CFL or HID fixtures with a rough-in inner diameter of 6" to 6-5/8" diameter to high efficiency LED.

All installation can be performed from below the ceiling without removing existing fixture

Energy savings up to 50-60% vs. CFL and HID

Complete fixture with existing frame and LED retrofit.

### Reflector:

Reflector is designed to gather the light scattered by the led chip and shape it into functional beams that minimize brightness and glare while eliminating lamp image.

Reflector is high quality available in clear, semi diffuse or white finish. Self flange trim is standard.

### Order Matrix:

**A**    **B**    **C**    **D**    **E**    **F**

**Item No.:BL6-002-R-H-DM-20-30K**

<b>A</b> Series	
BL6-002-R	6" LED Retrofit Downlight
AL6-VA2	6" Architectural LED Downlight
AL6-VC	6" Commercial LED Downlight

<b>B</b> Option	
	Without Housing
H	with Housing

<b>C</b> Input Voltage	
	120V
277	277V
U	120-277V
347	347V

RECESSED DOWNLIGHT



**Liteharbor Lighting Technology Co., Ltd.**  
New Industry Area Hecun Danzao Town  
Nanhai Foshan City Guangdong China

TEL: +86-757-8180 8675  
FAX: +86-757-8180 8685  
E-mail: info@liteharbor.com

Website: www.liteharbor.com  
Specifications subject to change w/o notice  
Revision: Jan. 2015

**Electrical:**

CCT: 2700K/3000K

CRI&gt;80

LED Driver: Dimming down to 1% , Dimmable via 0-10V

Light engine mounts directly to heat sink and is easily replaceable

Rated for 50000 hours at 70% lumen output

**Retro-fit Housing(Optional):**

Housing installs from below ceiling.

Secured in place by three tension clips

Tension clips accommodate ceilings from 1/2" to 1-1/8" thick.

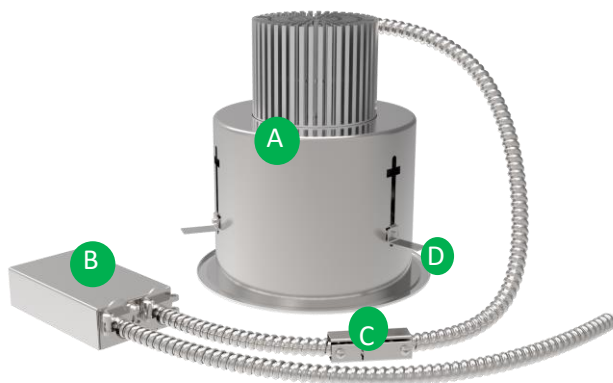
Integral heat sink conducts heat away from LED light engine.

Driver is accessible from below the ceiling and can be upgraded to accommodate future technology improvements.

**Listing & Warranty**

ETL listed to US and Canadian standards for wet locations

5-Year Limited Warranty

**please confirm the specification and price with our factory!****Retrofit Kit Contents:****A.** Heatsink and housing assembly**B.** LED Driver Box**C.** Conduit Quick-Connect

Connectors to facilitate installation for higher lumen packages

**D.** Clips

D	Dimmable
	Non-Dimmable
DM	0-10V Dimmable
TRIAC	TRIAC Dimmable

E	Wattage/Lumen
12	12W/1000Lumen
15	15W/1300Lumen
20	20W/1600Lumen
25	25W/1900Lumen
30	30W/2200Lumen

F	Color Temperature
27K	2700K
30K	3000K



RECESSED DOWNLIGHT

**Reflector Matrix**

<u>A</u>	<u>B</u>	<u>C</u>
A	Trim	
SF	Self Flanged	
SFW	Self Flanged White	
	No Flange	
B	Reflector Finish	
C	Clear	
HZ	Haze	
WH	White	
C	Lens Type	
CR	Clear Tempered	
SB	Sand Blasted	

**Liteharbor Lighting Technology Co., Ltd.**

New Industry Area Hecun Danzao Town

Nanhai Foshan City Guangdong China

TEL: +86-757-8180 8675

FAX: +86-757-8180 8685

E-mail: info@liteharbor.com

Website: www.liteharbor.com

Specifications subject to change w/o notice

Revision: Jan. 2015



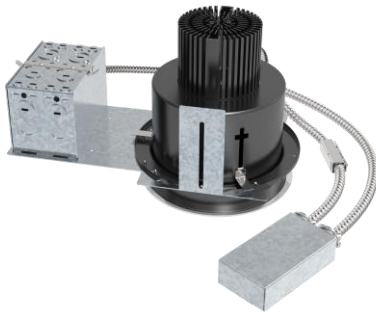
without housing  
BL6-002-R

VS

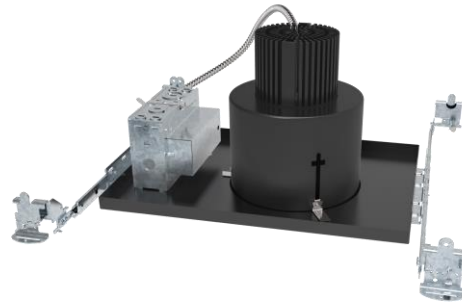


with housing  
BL6-002-R-H

Universal Retrofit



**Architectural**  
AL6-VA2-H



**Commercial**  
AL6-VC-H



RECESSED DOWNLIGHT



**Liteharbor Lighting Technology Co., Ltd.**  
New Industry Area Hecun Danzao Town  
Nanhai Foshan City Guangdong China

TEL: +86-757-8180 8675  
FAX: +86-757-8180 8685  
E-mail: info@liteharbor.com

Website: www.liteharbor.com  
Specifications subject to change w/o notice  
Revision: Jan. 2015