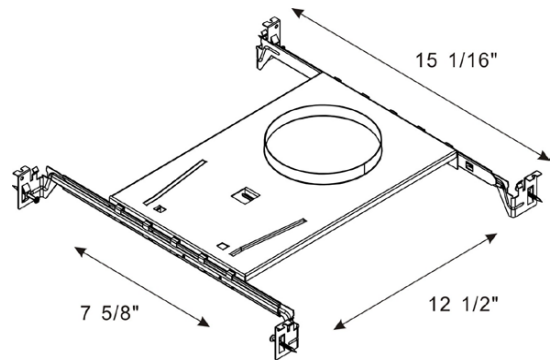


**BL4-301-NC**  
**4" Super-thin Round LED**  
**Recessed Panel Light**

<b>Catalog #</b>		<b>Prepared by</b>	LiteHarbor
<b>Project</b>		<b>Date</b>	
<b>Notes</b>			



PANEL LIGHT

**4" Super-thin Round LED Recessed Panel Light**

**Description**

With only 1/2" clearance, this ultra thin recessed LED Panel is absolutely perfect for tight spaces, soffits and insulated and dropped ceilings.  
 Recessed 4" round LED panel with integral driver In connection box. Fits where no other recessed fixture can.  
 This LED is 10 watts and replaces a 50 watt halogen  
 Save up to 80% energy for same light output.  
 The thin Panel profile with spring clips allows for quick and easy installation. Ideal for confined spaces and suitable for damp locations

**Features**

Available in all 4" round openings.  
 Retrofit or New Construction  
 1/2" Thin - Install Directly Under Joists, Maximum Layout Flexibility  
 Comes with Junction Box & Driver, No Housing Required  
 Fast & Easy To Install

A    B    C    D    E    F    G

**Item No.: BL4-301-NC**

<b>A</b>	Series
BL4-301	4" Round & Remodel
BL4-301-NC	4" Round & New Construction
<b>B</b>	Input Voltage
	120V
277	277V
U	120-347V
<b>C</b>	Color Temperature
27	2700K
30	3000K
40	4000K
	5000K
	6000K

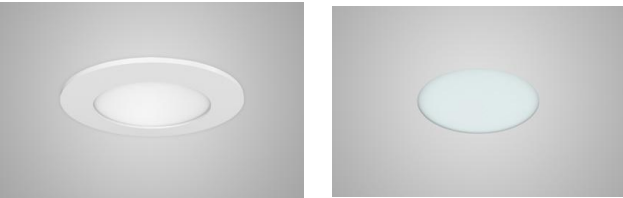
## Mounting

Cut Hole In Ceiling And Snap Fixture In Opening  
With Attached Spring Clips. 2" Above Ceiling Clearance  
Required For Driver.

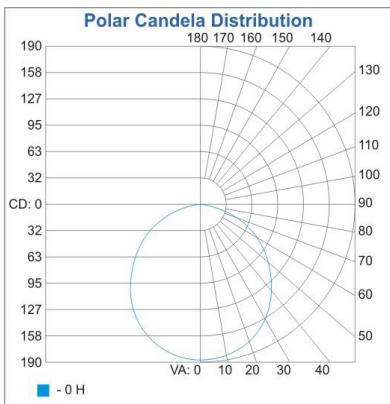
## Trim Option



## Appearance



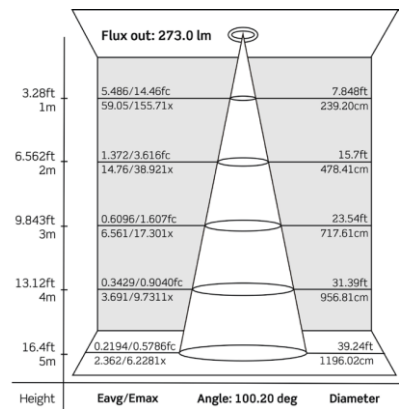
## Light Distribution Curve



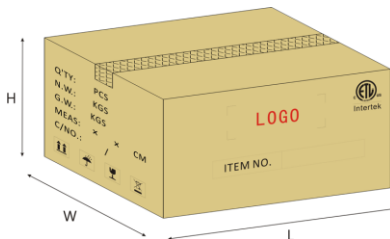
Illuminance at a Distance		
Center Beam FC	Beam Width	
3.3ft	17.2 fc	9.4ft
6.7ft	4.17 fc	19.0ft
10.0ft	1.87 fc	28.4ft
13.3ft	1.06 fc	37.7ft
16.7ft	0.67 fc	47.4ft
20.0ft	0.47 fc	56.7ft

■ Vert. Spread: 109.6

Note: The Curves indicate the illuminated area and the average illumination at a set distance from the LED Down Light.



## Packing



CTN Size:  
L:480xW:305xH:285mm  
- Inner Box Size:  
L:145xW:75xH:130mm  
- 24PCS/CTN

E	Finish
WH	White
BK	Black
SN	Satin Nickel

F	Mounting
	Remodel
	New Construction

G	Trim
	Trimmed
	Trimless

D	Dimmable
	Non-Dimmable
DM	Dimmable



Liteharbor Lighting Technology Co., Ltd.

New Industry Area Hecun Danzao Town  
Nanhai Foshan City Guangdong China

TEL: +86-757-8180 8675

FAX: +86-757-8180 8685

E-mail: info@liteharbor.com

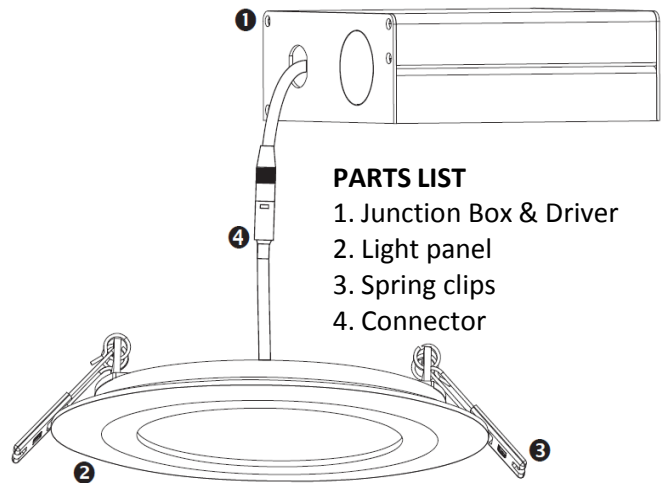
Website: www.liteharbor.com

Specifications subject to change w/o notice

Revision: Jan. 2016

## Specification

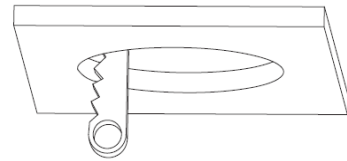
Applications	Recessed Ceiling Mount
Wattage	10W
Light Output	800lm
CRI	80+
CCT	2700K-4000K
Driver Input	120V AC or 277V-347V AC 50/60 Hz
Power Factor	0.98
Dimming	TRIAC Dimmers 10%-100% (120V only)
Location	Insulated Ceiling & Damp Locations
Lifespan	50,000 Hours at 70% Light Output
Certification	ETL
Warranty	5 Year Limited for Fixture & Driver



### PARTS LIST

1. Junction Box & Driver
2. Light panel
3. Spring clips
4. Connector

Fig. 1

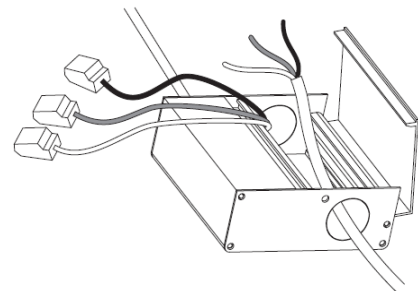


## Installation Instructions

1. Turn power OFF from the electrical panel prior to installation.
2. Determine the location for installation and cut ceiling hole in accordance with cut-hole dimensions. Refer to *Hole Diameter* table for appropriate sizes. (Fig. 1)
3. Open the junction box cover and remove the appropriate knockout(s) on the side panel. (Fig. 2)
4. Insert the electrical supply cable through the knockout and secure with a cable connector (sold separately).
5. Using quick-connect push-in terminals, connect the ground wire to the green wire terminal; black wire to black wire terminal; white wire to white wire terminal. (Fig. 2)

Hole diameter/Diamètre de perforation:	
PROF40 (4")	4 1/4" ± 1/8" (110 ±)
PROF60 (6")	6 5/16" ± 1/8" (160 ± 3mm)

Fig. 2



6. Place all wiring and connections back in to the box and close the cover. Connect the driver to the light panel.

7. Insert junction box through the mounting hole. (Fig. 3)

8. Push spring-loaded clips on the fixture upwards and insert fixture base in to the mounting hole. Release the clips and fixture will be pulled flush to the ceiling. (Fig. 4)

Fig. 3

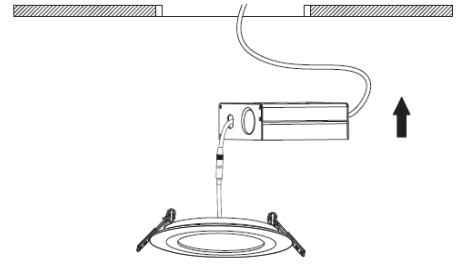


Fig. 4

