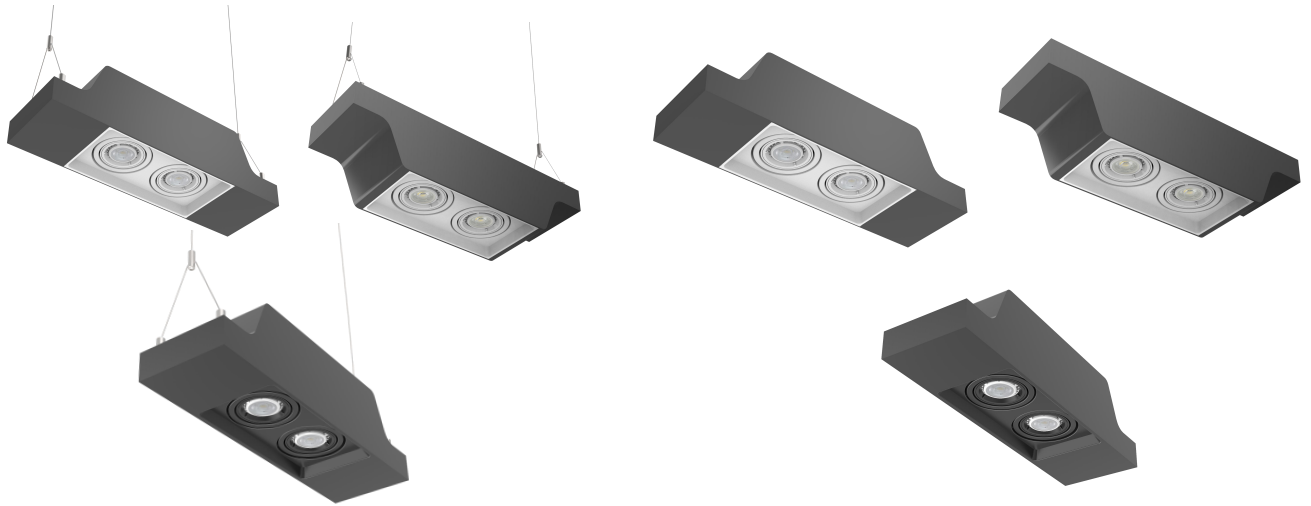


# PENDENT MULTIPLE DOWNLIGHT

Catalog #		Prepared by	LiteHarbor
Project		Date	
Notes			



## ORDER MATRIX | Example: G4012-S

A    B    C    D    E    F

A	Series
G4011-S	1 Lamp
G4012-S	2 Lamp
G4013-S	3 Lamp
G4014-S	4 Lamp

B	Light Source
GU10	LED GU10
COB	COB

C	Watt
LED	8W
COB	10W

D	Input Voltage
	120V
277	277V
U	120-277V

### Description

Mini LED Multiple Spots for remodeling and new construction applications for residential and commercial environments. The Multiple Spots are marketed as complete units including the housing and trim. Available as one, two and three-light configurations, each spot is individually adjustable and provides a 30-degree visual cutoff for glare control.

### Features

Pendent mounting series multiple downlight equipped with one lamp,two lamp,three lamp and four lamp.Each lamp can up and down around the rotation.

30° vertical tilt, 360° horizontal rotation.

30° Anti glare control.

Whether it is ceiling installation or pendent installation, it have played a very good decorative effect.

Light bulbs can be directly removed from the bottom without the tool, no need to remove the lamp down and then replace, save time and effort.

Can add Bluetooth stereo, the light combination with the music, add life fun.



MULTIPLE DOWNLIGHT



**Liteharbor Lighting Technology Co., Ltd.**

New Industry Area Hecun Danzao Town  
Nanhai Foshan City Guangdong China

TEL: +86-757-8180 8675

FAX: +86-757-8180 8685

E-mail: info@liteharbor.com

Website: www.liteharbor.com

Specifications subject to change w/o notice

Revision: Dec. 2016

E	Color Temperature
28K	2800K
30K	3000K
35K	3500K
41K	4100K
60K	6000K

F	Available Chips
Cree	Cree
Citizen	Citizen
Epistar	Epistar
Seoul	Seoul
Osram	Osram

## Data

Light Source: LED GU10/COB

Luminous Efficiency: 100LM/W

Material: Gauge Steel

CRI: Ra>80

## Mounting

Ceiling mount or pendent mount.

## Dimming

Dimmable to 10% with most brand dimmers.

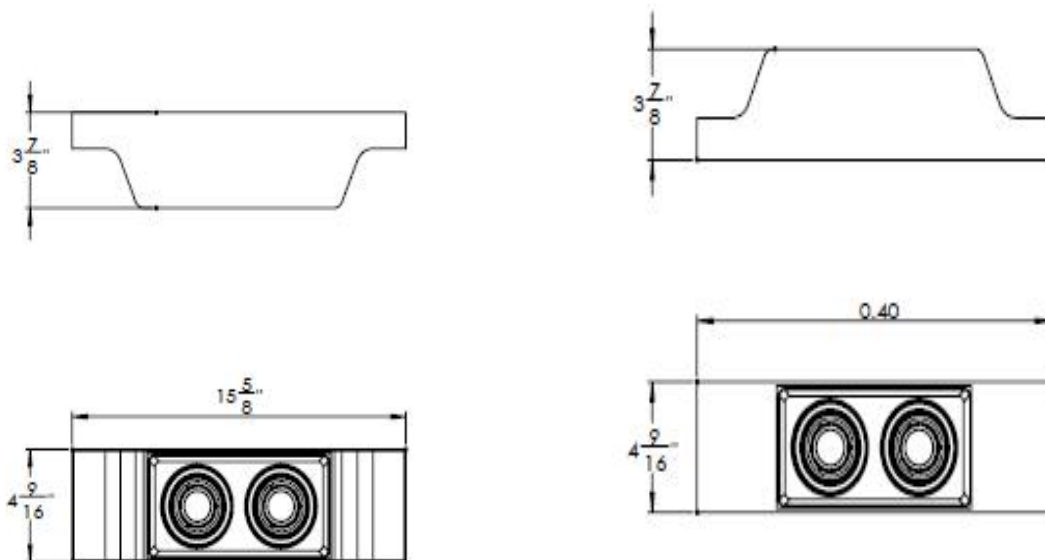
## Construction

Trim and housing are constructed of Gauge Steel.

## Warranty

Five Year Limited Warranty.

## Dimensions



**Liteharbor Lighting Technology Co., Ltd.**

New Industry Area Hecun Danzao Town

Nanhai Foshan City Guangdong China

TEL: +86-757-8180 8675

FAX: +86-757-8180 8685

E-mail: [info@liteharbor.com](mailto:info@liteharbor.com)

Website: [www.liteharbor.com](http://www.liteharbor.com)

Specifications subject to change w/o notice

Revision: Dec. 2016



