

4 INCH ROUND OR SQUARE TRIMS

Catalog #		Prepared by	LiteHarbor
Project		Date	
Notes			



ORDER MATRIX | Example: B4027

A B C D E

A	Series
B4027	4" Round Trims
BS4027	4" Square Trims

B	Input Voltage
	120V

C	Wattage
	8W

D	Dimmable
	Non-Dimmable
DM	Dimmable

E	Color
BK	Black
WH	White
SN	Satin nickel

Description

Peculiar vortex type outlet, to ensure that the light is soft, avoid glare, unique shape make an impression.
 Various installation for choose, two symmetrical clip installation without housing, Three disc type shrapnel installation with housing.
 Can use GU10, MR16, LED PAR16 light bulbs
 Unique design three circlip.
 Square outer ring optional.

Light Engine

Input Power: 8W Max.
 Input Voltage: AC120V±10%
 PF: >0.9
 None Dimmable or TRIAC Dimmable
 Bulb: GU10, MR16, LED PAR16

Listing & Warranty

ETL listed to US and Canadian standards for wet locations
 2-Year Limited Warranty



ROUND OR SQUARE TRIMS



Liteharbor Lighting Technology Co., Ltd.
 New Industry Area Hecun Danzao Town
 Nanhai Foshan City Guangdong China

TEL: +86-757-8180 8675
 FAX: +86-757-8180 8685
 E-mail: info@liteharbor.com

Website: www.liteharbor.com
 Specifications subject to change w/o notice
 Revision: Dec. 2016

Mounting

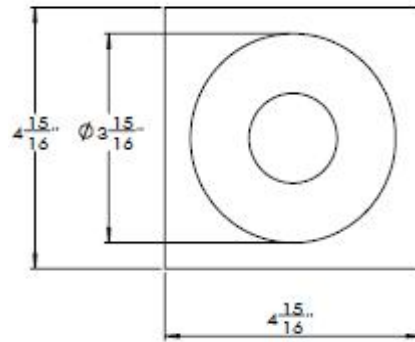
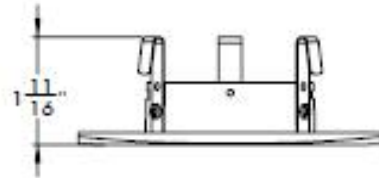
Clip optional

①②③④

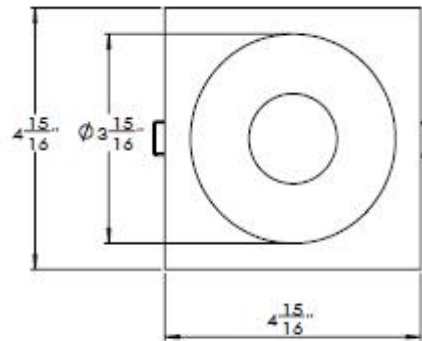
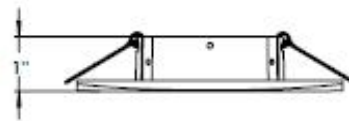
Square Shape



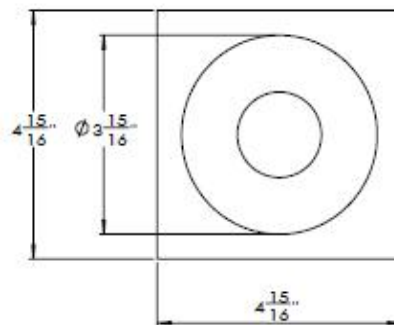
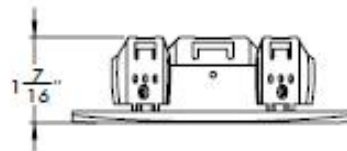
①



②



③



ROUND OR SQUARE TRIMS



Liteharbor Lighting Technology Co., Ltd.

New Industry Area Hecun Danzao Town
Nanhai Foshan City Guangdong China

TEL: +86-757-8180 8675

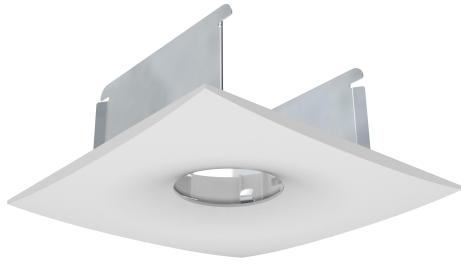
FAX: +86-757-8180 8685

E-mail: info@liteharbor.com

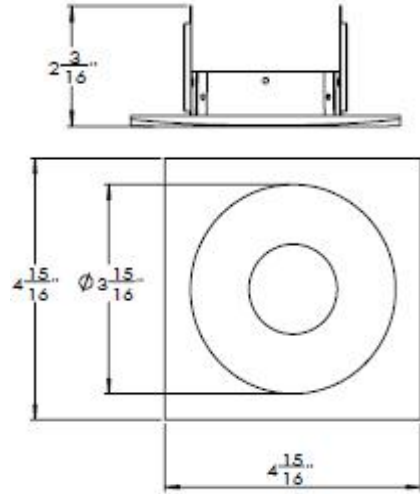
Website: www.liteharbor.com

Specifications subject to change w/o notice

Revision: Dec. 2016



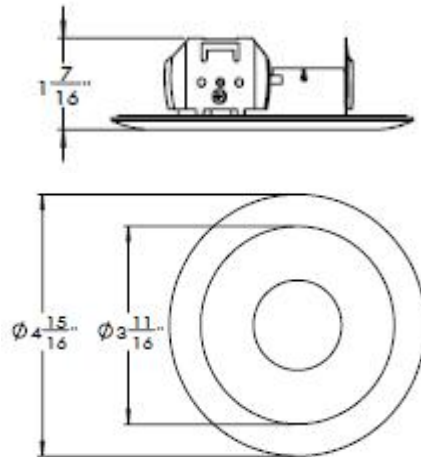
④



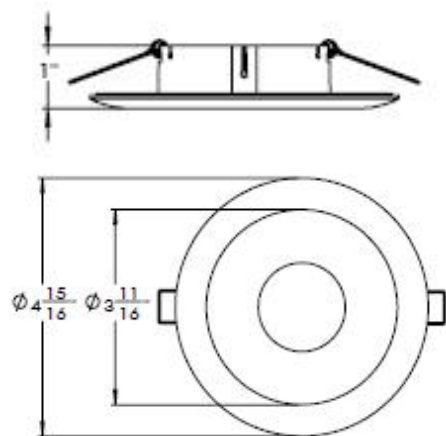
Round Shape



①



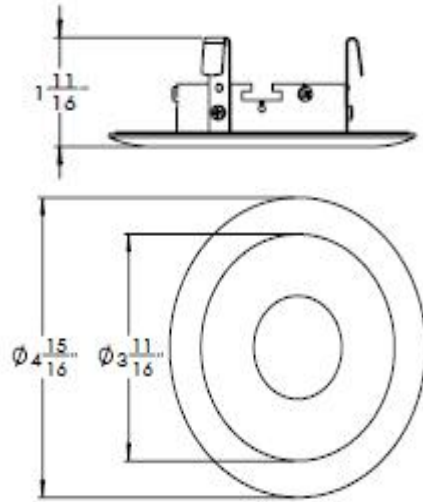
②



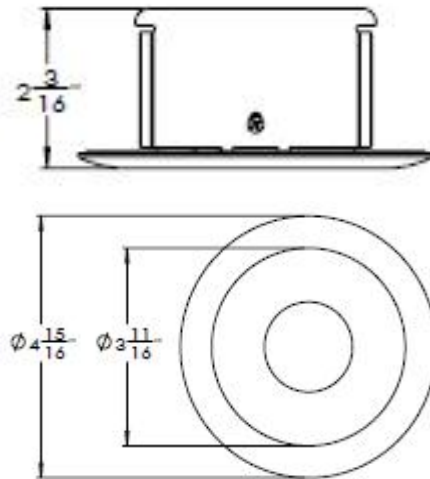
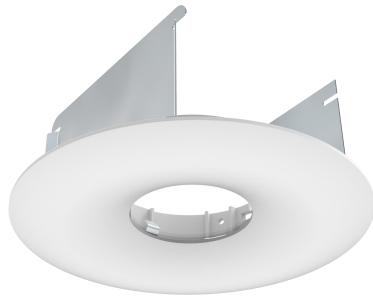
Liteharbor Lighting Technology Co., Ltd.
 New Industry Area Hecun Danzao Town
 Nanhai Foshan City Guangdong China

TEL: +86-757-8180 8675
 FAX: +86-757-8180 8685
 E-mail: info@liteharbor.com

Website: www.liteharbor.com
 Specifications subject to change w/o notice
 Revision: Dec. 2016



③



④

Other Clips Or Special Requirements please Confirm with Factory



Liteharbor Lighting Technology Co., Ltd.
 New Industry Area Hecun Danzao Town
 Nanhai Foshan City Guangdong China

TEL: +86-757-8180 8675
 FAX: +86-757-8180 8685
 E-mail: info@liteharbor.com

Website: www.liteharbor.com
 Specifications subject to change w/o notice
 Revision: Dec. 2016

