

3" & 4" Square New Construction LED Retrofit Trim

Catalog #		Prepared by	LiteHarbor
Project		Date	
Notes			



ORDER MATRIX | Example:BL3-920-S-NC

A	B	C	D	E	F	G
	A	Series				
BL3-920-S-NC		3" Square New Construction Retrofit Trim				
BL4-920-S-NC		4" Square New Construction Retrofit Trim				
	B	Mounting				
		Remodel				
	NC	New Construction				
	C	Trim				
		Trimmed				
	TL	Trimless				
	D	Color Temperature				
	27K	2700K				
	30K	3000K				
	40K	4000K				
	50K	5000K				
	60K	6000K				
	E	Mounting Clips				
		Optional 1				
		Optional 2				
		Optional 3				

(Reference to the following page)

Description

Use cold forging radiator with good heat dissipation.
 Peculiar vortex type outlet, to ensure that the light is soft, avoid glare, unique irregular shape make an impression.
 Independent power supply box, easy to maintain and replace.
 Brand chip and isolated power supply, safe and reliable.
 Dimming available, can be matched a variety of light regulator, dimming stability, no strobe.
 Square outer ring is optional.

Mounting & Clips

New construction is optional.
 Can be adapted to the 0.5 "to 1.5" ceiling.
 Easy installation, tool-free and save time.
 Various installation clip for choose.
 Two Clips Type: Install with no housing required.
 Three Clips Type: Install with housing required.

Light Engine

Input Power: 12W Max.
 Input Voltage: 110V/277V AC 50/60 Hz
 PF: >0.98
 CRI:80+/90+
 CCT: 2700-6000K
 None Dimmable or TRIAC Dimmable
 Lumen Efficiency: 100lm/W



LED RETROFIT TRIM



Liteharbor Lighting Technology Co., Ltd.
 New Industry Area Hecun Danzao Town
 Nanhai Foshan City Guangdong China

TEL: +86-757-8180 8675
 FAX: +86-757-8180 8685
 E-mail: info@liteharbor.com

Website: www.liteharbor.com
 Specifications subject to change w/o notice
 Revision: Mar. 2017

F	Dimmable
	Non-Dimmable
DM	Dimmable

G	Finish
BK	Black
WH	White
SN	Satin nickel

Listing & Warranty

ETL listed to US and Canadian standards for wet locations
5-Year Limited Warranty

Packing

BL3-920-S-NC

CTN Size: L: 405×W: 455×H: 265mm

Inner Box Size: L: 130×W: 110×H: 120mm

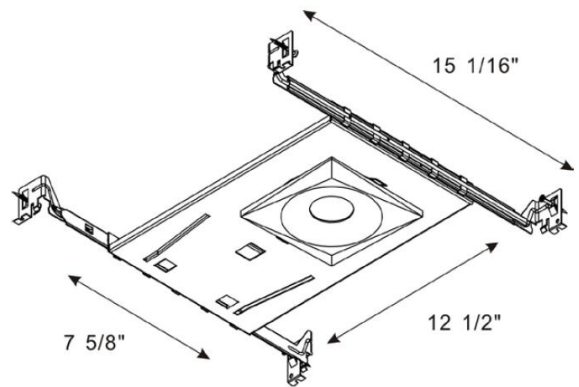
BL4-920-S-NC

CTN Size: L: 565×W: 425×H: 265mm

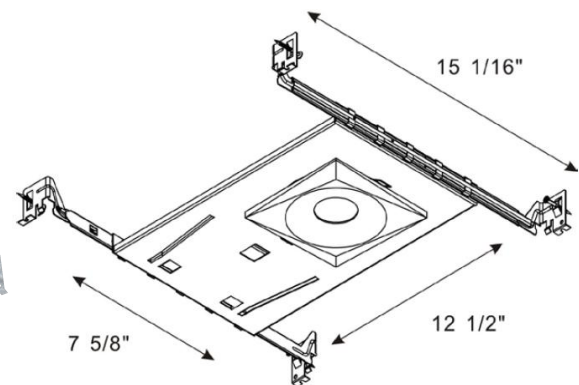
Inner Box Size: L: 135×W: 135×H: 120mm

24PCS/CTN

Dimensions



BL3-920-S-NC



BL4-920-S-NC



LED RETROFIT TRIM



Liteharbor Lighting Technology Co., Ltd.

New Industry Area Hecun Danzao Town
Nanhai Foshan City Guangdong China

TEL: +86-757-8180 8675

FAX: +86-757-8180 8685

E-mail: info@liteharbor.com

Website: www.liteharbor.com

Specifications subject to change w/o notice

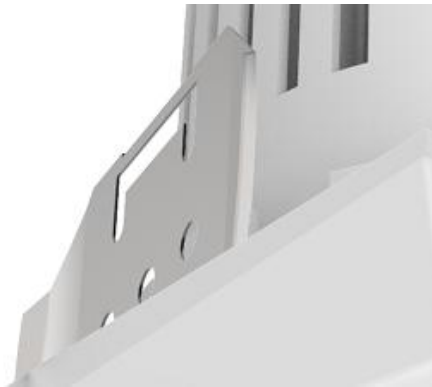
Revision: Mar. 2017

3" Item Mounting Clips Optional

①②③



Option①
Two Clips
No housing required



Option②
Three Clips
Housing is required



Optional③
Three Clips
Housing is required



LED RETROFIT TRIM



Liteharbor Lighting Technology Co., Ltd.

New Industry Area Hecun Danzao Town
Nanhai Foshan City Guangdong China

TEL: +86-757-8180 8675

FAX: +86-757-8180 8685

E-mail: info@liteharbor.com

Website: www.liteharbor.com

Specifications subject to change w/o notice

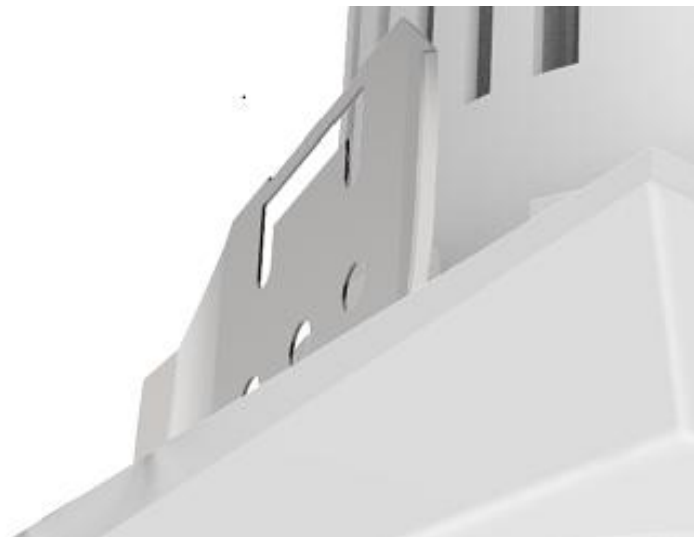
Revision: Mar. 2017

4" Item Mounting Clips Optional

①②③④



Option①
Two Clips
No housing required



Option②
Three Clips
Housing is required



Liteharbor Lighting Technology Co., Ltd.

New Industry Area Hecun Danzao Town

Nanhai Foshan City Guangdong China

TEL: +86-757-8180 8675

FAX: +86-757-8180 8685

E-mail: info@liteharbor.com

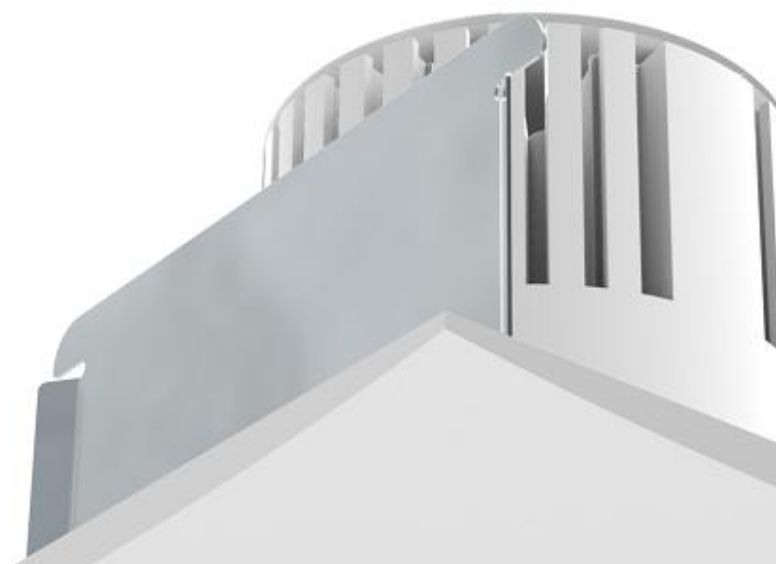
Website: www.liteharbor.com

Specifications subject to change w/o notice

Revision: Mar. 2017



Option③
Three Clips
Housing is required



Option④
Two Clips
Housing is required

