

3" Round Or Square New Construction LED Retrofit Trim

Catalog #		Prepared by	LiteHarbor
Project		Date	
Notes			



ORDER MATRIX | Example:BL3-921-NC

<u>A</u>	<u>B</u>	<u>C</u>	<u>D</u>	<u>E</u>	<u>F</u>	<u>G</u>
		A	Series			
BL3-921-NC			3" Round New Construction Retrofit Trim			
BL3-921-S-NC			3" Square New Construction Retrofit Trim			
		B	Mounting			
			Remodel			
		NC	New Construction			
		C	Trim			
			Trimmed			
		TL	Trimless			
		D	Color Temperature			
		27K	2700K			
		30K	3000K			
		40K	4000K			
		50K	5000K			
		60K	6000K			
		E	Mounting Clips			
			Optional 1			
			Optional 2			
			Optional 3			

(Reference to the following page)

Description

Use cold forging radiator with good heat dissipation.
 Peculiar vortex type outlet, to ensure that the light is soft, avoid glare, unique irregular shape make an impression.
 Independent power supply box, easy to maintain and replace.
 Brand chip and isolated power supply, safe and reliable.
 Dimming available, can be matched a variety of light regulator, dimming stability, no strobe.
 Square outer ring is optional.

Mounting & Clips

New construction is optional.
 Can be adapted to the 0.5 "to 1.5" ceiling.
 Easy installation, tool-free and save time.
 Various installation clip for choose.
 Two Clips Type: Install with no housing required.
 Three Clips Type: Install with housing required.

Light Engine

Input Power: 12W Max.
 Input Voltage: 110V/277V AC 50/60 Hz
 PF: >0.98
 CRI:80+/90+
 CCT: 2700-6000K
 None Dimmable or TRIAC Dimmable
 Lumen Efficiency: 100lm/W



LED RETROFIT TRIM



Liteharbor Lighting Technology Co., Ltd.
 New Industry Area Hecun Danzao Town
 Nanhai Foshan City Guangdong China

TEL: +86-757-8180 8675
 FAX: +86-757-8180 8685
 E-mail: info@liteharbor.com

Website: www.liteharbor.com
 Specifications subject to change w/o notice
 Revision: Mar. 2017

F	Dimmable
	Non-Dimmable
DM	Dimmable

G	Finish
BK	Black
WH	White
SN	Satin nickel

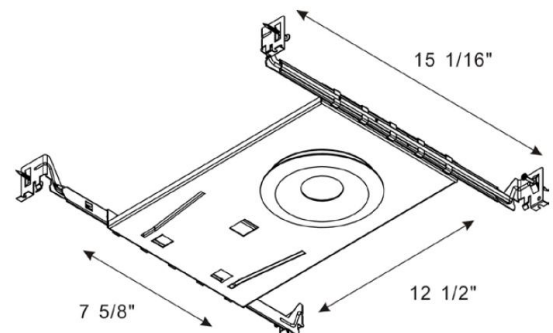
Listing & Warranty

ETL listed to US and Canadian standards for wet locations
5-Year Limited Warranty

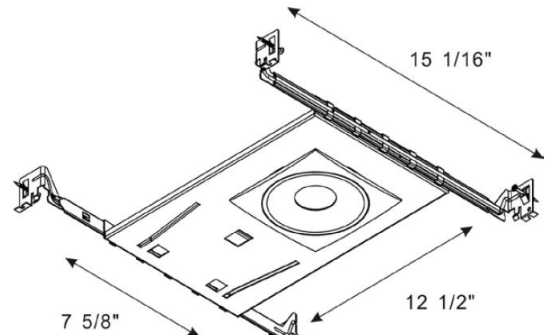
Packing

CTN Size: L: 405×W: 455×H: 265mm
Inner Box Size: L: 130×W: 110×H: 120mm
24PCS/CTN

Dimensions



BL3-921-NC



BL3-921-S-NC



LED RETROFIT TRIM



Liteharbor Lighting Technology Co., Ltd.

New Industry Area Hecun Danzao Town
Nanhai Foshan City Guangdong China

TEL: +86-757-8180 8675

FAX: +86-757-8180 8685

E-mail: info@liteharbor.com

Website: www.liteharbor.com

Specifications subject to change w/o notice

Revision: Mar. 2017

Mounting Clip optional

①②③

Square Shape



Option①
Two Clips
No housing required



Option②
Three Clips
Housing is required



Option③
Three Clips
Housing is required



LED RETROFIT TRIM



Liteharbor Lighting Technology Co., Ltd.

New Industry Area Hecun Danzao Town
Nanhai Foshan City Guangdong China

TEL: +86-757-8180 8675

FAX: +86-757-8180 8685

E-mail: info@liteharbor.com

Website: www.liteharbor.com

Specifications subject to change w/o notice

Revision: Mar. 2017

Round Shape



Option①
Two Clips
No housing required



Option②
Three Clips
Housing is required



Option③
Three Clips
Housing is required



Liteharbor Lighting Technology Co., Ltd.

New Industry Area Hecun Danzao Town
Nanhai Foshan City Guangdong China

TEL: +86-757-8180 8675

FAX: +86-757-8180 8685

E-mail: info@liteharbor.com

Website: www.liteharbor.com

Specifications subject to change w/o notice

Revision: Mar. 2017