



DG5205 LED Flood Light



DESCRIPTION

- DG5205 series LED flood light is specially designed for outdoor lighting, a new type of environmental protection and energy saving product which meets the requirements of landscape lighting is optimized for the shortage of traditional light sources. This product uses CREE's high-power LED light source, with the thermal design of superconducting heat dissipation materials, advanced intelligent circuit management and leading optical design, the product has excellent performance in road lighting.

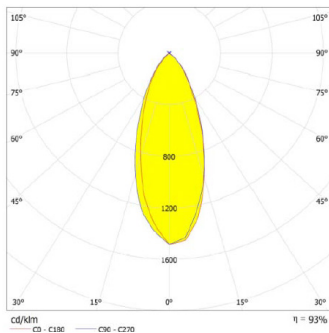
FEATURES

- Smooth line and LED structure features combine organically, the appearance, is simple and comfortable. The humanized structure concept design of the lamp.
- The shape of the lamp is simple and exquisite.
- Product modular design, effectively maintain the good cooling ,effect of light, and ensure the life of LED.
- IP Rating above IP65.
- Unique two time light distribution design, the light distribution curve present bat wing, illuminated the standard rectangle spot, guaranteed that the lamp distance can achieve the good uniformity in 40M.
- Long life power driver 5,0000 hours service life with short circuit protection, open circuit protection,thermal protection etc.with the LED lamp life.

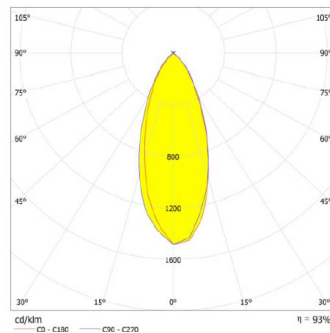
DATA

- Power Factor: >0.95
- CRI: Ra>75
- CCT: 2850-5300K
- Optional Light: 60/90
- Ambient Temperature: -30 --50°C
- Working Temperature: RH10%-90%
- IP Rating : IP65
- Mounting: Ceiling / side loading
- Lifetime: >50000h

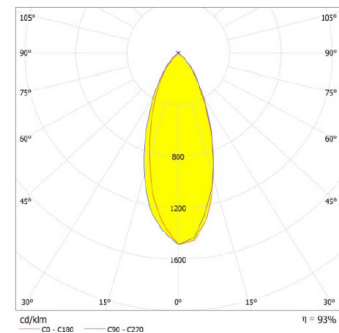
LIGHT DISTRIBUTION



R1



R2



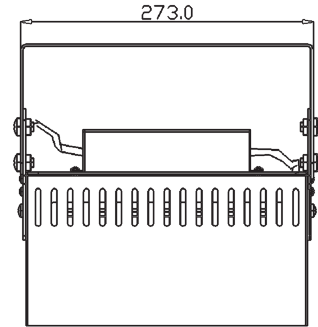
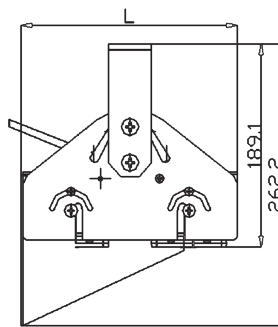
R3





APPLICATION

Applicable to the decorative lighting places such as factory, gymnasium, pier, billboard, building, lawn, gardening design.



DIMENSIONS

L:(L) xW:273xH: 262mm

ORDERING GUIDE

Model	Input Voltage	LED light source	Power	Luminous flux	Optional light	IP Rating	Dimensions(L)
DG5205	AC90-305V	50WX2 Module	120 W	9900lm	R1 R2 R3	IP65	L=200mm
DG5205A	AC90-305V	50WX3 Module	180 W	11000lm	R1 R2 R3	IP65	L=290mm
DG5205B	AC90-305V	50WX4 Module	240 W	13200lm	R1 R2 R3	IP65	L=390mm
DG5205C	AC90-305V	50WX5 Module	300 W	16500lm	R1 R2 R3	IP65	L=490mm
DG5205D	AC90-305V	40WX2 Module	80 W	11000lm	R1 R2 R3	IP65	L=200mm
DG5205E	AC90-305V	40WX3 Module	120 W	13200lm	R1 R2 R3	IP65	L=290mm
DG5205F	AC90-305V	40WX4 Module	160 W	15400lm	R1 R2 R3	IP65	L=390mm
DG5205G	AC90-305V	40WX5 Module	200 W	17600lm	R1 R2 R3	IP65	L=490mm
DG5205H	AC90-305V	30WX2 Module	60 W	6600lm	R1 R2 R3	IP65	L=200mm
DG5205I	AC90-305V	30WX3 Module	90 W	9900lm	R1 R2 R3	IP65	L=290mm
DG5205J	AC90-305V	30WX4 Module	120 W	13200lm	R1 R2 R3	IP65	L=390mm
DG5205K	AC90-305V	30WX5 Module	150 W	16500lm	R1 R2 R3	IP65	L=490mm
DG5205L	AC90-305V	30WX1 Module	40 W	15400lm	R1 R2 R3	IP65	L=90mm
DG5205M	AC90-305V	40WX1 Module	60 W	17600lm	R1 R2 R3	IP65	L=90mm
DG5205N	AC90-305V	50WX1 Module	40 W	15400lm	R1 R2 R3	IP65	L=90mm
DG5205O	AC90-305V	30WX2 RGB	60 W	-	R1 R2 R3	IP65	L=200mm
DG5205P	AC90-305V	30WX3 RGB	90 W	-	R1 R2 R3	IP65	L=290mm
DG5205Q	AC90-305V	30WX4 RGB	120 W	-	R1 R2 R3	IP65	L=390mm
DG5205R	AC90-305V	30WX5 RGB	150 W	-	R1 R2 R3	IP65	L=490mm
DG5205S	AC90-305V	30WX1 RGB	30 W	-	R1 R2 R3	IP65	L=90mm



New Industry Area, Hecun, Danzao Town, Nanhai, Foshan City, China

0757-8180-8675

www.liteharbor.com

info@liteharbor.com