

# High Voltage - LED Retrofit

Catalog #		Prepared by	LiteHarbor
Project		Date	
Notes			



## Features

- LED reformat design for recessed downlight.
- Scheme for High Voltage AC, effectively reduce the volume and weight of lamps.
- Power supply for 50000 hours, low EMI and low consumption
- Compatible with most brand TRIAC dimmers, dimmable to 5% with no flicker.
- High transmittance, high diffusion, 92% light transmittance.
- No glare, no light, is conducive to the protection of vision.
- Concealed light source.

## Specifications

- Wattage: 14W
- Input Voltage: AC120V ±10%
- Lumen: 950LM
- Electric Frequency: 50/60Hz
- PF: >0.9
- Dimmable: None/TRIAC
- Finish: Black/White/Satin Nickel
- CCT: 2700-4100K
- CRI: 80+/90+

## Order Matrix | Example: BL6-001-E

A    B    C    D    E    F

Item No.: BL6-001-E

A	Series
BL6-001-E	LED Retrofit

B	Input Voltage
110	110V
120	120V

C	Wattage
14	14W

D	CCT
27	2700K
30	3000K
35	3500K
41	4100K



LED RETROFIT



**Liteharbor Lighting Technology Co., Ltd.**  
 New Industry Area Hecun Danzao Town  
 Nanhai Foshan City Guangdong China

TEL: +86-757-8180 8687  
 FAX: +86-757-8180 8685  
 E-mail: info@liteharbor.com

Website: www.liteharbor.com  
 Specifications subject to change w/o notice  
 Revision: Jul. 2017

### Lamp Body

Using iron plate material, die spinning technique, can electroplating or spray coating, high glisten rate, use long without discoloration, and high illumination uniformity.

E	Finish
WH	White
BK	Black
SN	Satin nickel

### Chip

Cree/Citizen/Epistar/Seoul/Osram, durability and stability, uniform luminance.

F	Dimmable
	Non-Dimmable
DM	Dimmable

### Power Supply

Scheme for high voltage AC, effectively reduce the volume and weight of lamps, long life-span, low EMI and low consumption.

### Diffuser Plate

Using imported high transmittance diffusion plate, uniform light soft light and no glare.

### Quick Connector

Safe and easy to install, suitable for LED housing or E26 socket housing.

### Listing / Warranty

ETL listed to US and Canadian standards for damp location

W/Feed through.

3 Year Limited Warranty.

### Packing

Inner Box : 190\*190\*60 mm 1PCS/BOX

CTN: 39.5\*37.5\*21.5CM 12 PCS/CTN



**Liteharbor Lighting Technology Co., Ltd.**

New Industry Area Hecun Danzao Town  
Nanhai Foshan City Guangdong China

TEL: +86-757-8180 8687

FAX: +86-757-8180 8685

E-mail: info@liteharbor.com

Website: www.liteharbor.com

Specifications subject to change w/o notice

Revision: Jul. 2017

## Application

Automotive and Parking, Education, Government, Healthcare, Hospitality, Offices and Banks, Religious, Retail.



LED RETROFIT



**Liteharbor Lighting Technology Co., Ltd.**

New Industry Area Hecun Danzao Town  
Nanhai Foshan City Guangdong China

TEL: +86-757-8180 8687

FAX: +86-757-8180 8685

E-mail: [info@liteharbor.com](mailto:info@liteharbor.com)

Website: [www.liteharbor.com](http://www.liteharbor.com)

Specifications subject to change w/o notice

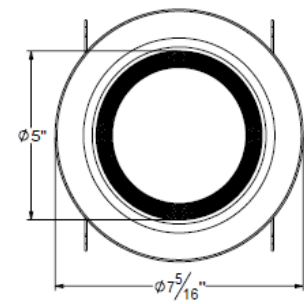
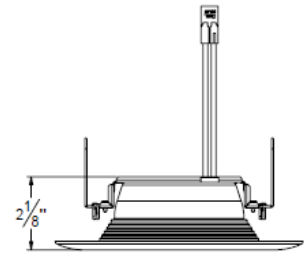
Revision: Jul. 2017

## Mounting

### Clip Option

- ① ②

Option ①



Option ②

