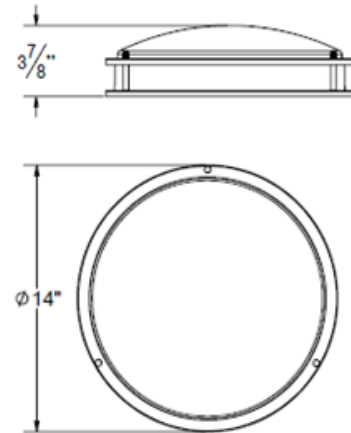


# FM-L140 14" Flush Mount LED Ceiling Light

Catalog #		Prepared by	LiteHarbor
Project		Date	
Notes			



## Description

Versatile, stylish and energy-efficient fixture with chic, contemporary appearance.  
Aluminum construction with a translucent white acrylic polymer cover.  
Rotated separated reflector, more convenient for parts replacement.  
Isolation driver, high power factor and transfer efficiency, constant current output.  
Can be mounted on ceiling or wall.

## Specification

Power	23W
Voltage	120V 50/60Hz
Lumen	1500LM
Power Factor	PF>0.95
CRI	80+/90+
Dimmable	TRIAC Dimming
Finish Color	Satin Nickel/White/Black/Chrome
Warranty	3 Years
Certification	ETL



ARCHITECTURAL DOWNLIGHT



**Liteharbor Lighting Technology Co., Ltd.**  
New Industry Area Hecun Danzao Town  
Nanhai Foshan City Guangdong China

TEL: +86-757-8180 8675  
FAX: +86-757-8180 8685  
E-mail: info@liteharbor.com

Website: www.liteharbor.com  
Specifications subject to change w/o notice  
Revision: July. 2017

### Lamp Body

Cold drawing stamping molding, high precision.

### PMMA Cover

High light transmittance, can reach 85% above, strong light diffusion performance, no shadow, no glare.

Achieve point light source emitting turned into spherical light emitting.

Excellent concealed light source, achieve the best light transmission rate without seeing the LED lamp bead.

### Driver

Independent isolation constant current drive, high power factor optional.

Constant current design, high reliability, stable performance.

Meets the requirements of safety and electromagnetic compatibility.

### Application

Automotive and Parking, Education, Government, Healthcare,

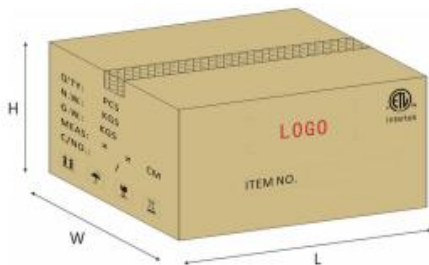
Hospitality, Offices and Banks, Religious, Retail

### Listing / Warranty

ETL listed to US and Canadian standards for damp location W/Feed through.

3 Year Limited Warranty.

### Packing



Inner Box: 390\*135\*392mm 1PCS/BOX

Carton Box: 56.5\*40.5\*41.5CM 5PCS/CARTON

### Ordering Guide

Series	CCT	CRI	Color
<input type="checkbox"/> FM-L140	<input type="checkbox"/> 2700K	<input type="checkbox"/> 80	<input type="checkbox"/> Satin Nickel
	<input type="checkbox"/> 3000K	<input type="checkbox"/> 90	<input type="checkbox"/> White
	<input type="checkbox"/> 3500K		<input type="checkbox"/> Black
			<input type="checkbox"/> Chrome



**Liteharbor Lighting Technology Co., Ltd.**

New Industry Area Hecun Danzao Town  
Nanhai Foshan City Guangdong China

TEL: +86-757-8180 8675

FAX: +86-757-8180 8685

E-mail: info@liteharbor.com

Website: www.liteharbor.com

Specifications subject to change w/o notice

Revision: July. 2017