

# LED SECURITY LIGHT

|                  |  |                    |  |
|------------------|--|--------------------|--|
| <b>Catalog #</b> |  | <b>Prepared by</b> |  |
| <b>Project</b>   |  | <b>Date</b>        |  |
| <b>Notes</b>     |  |                    |  |



## High-end Die-casting Aluminum LED Security Light

### Features

- Smooth linear and LED structure features organically combined, the appearance is simple.
- P.I.R motion detectors functions, which realized the intellectualized design of product.
- The lamp adopts the 180 degree rotary structure, which can meet the needs of difference applications.
- Light source and electrical separate design, easy for installation and maintenance.
- Power supply, light source and mounting cover, the three divided and separate structure can be applied freely in various power and sizes.
- Professional optical design with efficient optical distribution, high efficiency, proving with variety of light distribution options.
- The lamp uses manual adjustment of color temperature, and rotary adjustment knob can achieve different lighting effects.
- Reasonable heat dissipation design to ensure the service life of lamps.
- Lighting structure, electrical safety compliance with EN60598 GB7000 standard requirements.
- Anti-electric shock protection: Class III
- IP rating: IP65



**Liteharbor Lighting Technology Co., Ltd.**

New Industry Area Hecun Danzao Town  
Nanhai Foshan City Guangdong China

TEL: +86-757-8180 8675

FAX: +86-757-8180 8685

E-mail: info@liteharbor.com

Website: www.liteharbor.com

Specifications subject to change w/o notice

Revision: Jun. 2018

## Parameter

### Without Sensor and 3CCT

| Item No. | Power Factor | Light Source | Luminous Efficiency | Operating Temperature | IP Rating | Lifespan                               |
|----------|--------------|--------------|---------------------|-----------------------|-----------|--|
| DG5705-1 | >0.95        | 10Wx1        | >80lm/W             | - 30-50°C             | IP65      | 50000hour<br>(5 year limited warranty) |
| DG5705-2 |              | 10Wx2        |                     |                       |           |  |
| DG5705-3 |              | 10Wx3        |                     |                       |           |  |

### With 3CCT

| Item No.  | Power Factor | Light Source | Luminous Efficiency | Operating Temperature | IP Rating | Lifespan                               |
|-----------|--------------|--------------|---------------------|-----------------------|-----------|--|
| DG5705A-1 | >0.95        | 10Wx1        | >80lm/W             | - 30-50°C             | IP65      | 50000hour<br>(5 year limited warranty) |
| DG5705A-2 |              | 10Wx2        |                     |                       |           |  |
| DG5705A-3 |              | 10Wx3        |                     |                       |           |  |

### With Motion Sensors (Round or Square for option, 150 °/180 ° or 240 °/270 ° for option)

| Item No.  | Power Factor | Light Source | Luminous Efficiency | Operating Temperature | IP Rating | Lifespan                               |
|-----------|--------------|--------------|---------------------|-----------------------|-----------|--|
| DG5705B-1 | >0.95        | 10Wx1        | >80lm/W             | - 30-50°C             | IP65      | 50000hour<br>(5 year limited warranty) |
| DG5705B-2 |              | 10Wx2        |                     |                       |           |  |
| DG5705B-3 |              | 10Wx3        |                     |                       |           |  |

### With Photocell

| Item No.  | Power Factor | Light Source | Luminous Efficiency | Operating Temperature | IP Rating | Lifespan                               |
|-----------|--------------|--------------|---------------------|-----------------------|-----------|--|
| DG5705C-1 | >0.95        | 10Wx1        | >80lm/W             | - 30-50°C             | IP65      | 50000hour<br>(5 year limited warranty) |
| DG5705C-2 |              | 10Wx2        |                     |                       |           |  |
| DG5705C-3 |              | 10Wx3        |                     |                       |           |  |

### With Time-controller

| Item No.  | Power Factor | Light Source | Luminous Efficiency | Operating Temperature | IP Rating | Lifespan                               |
|-----------|--------------|--------------|---------------------|-----------------------|-----------|--|
| DG5705D-1 | >0.95        | 10Wx1        | >80lm/W             | - 30-50°C             | IP65      | 50000hour<br>(5 year limited warranty) |
| DG5705D-2 |              | 10Wx2        |                     |                       |           |  |
| DG5705D-3 |              | 10Wx3        |                     |                       |           |  |



**Liteharbor Lighting Technology Co., Ltd.**  
New Industry Area Hecun Danzao Town  
Nanhai Foshan City Guangdong China

TEL: +86-757-8180 8675  
FAX: +86-757-8180 8685  
E-mail: info@liteharbor.com

Website: www.liteharbor.com  
Specifications subject to change w/o notice  
Revision: Jun. 2018

## Applications

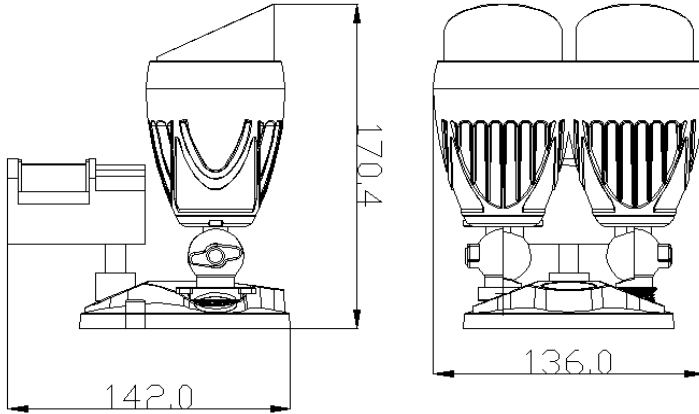
Suitable for lighting and decorative lighting of hospitals, schools, shopping malls and office buildings.

## Listing/ Warranty

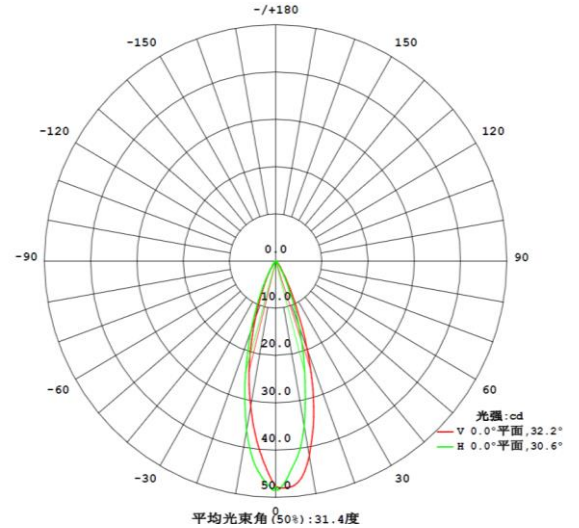
ETL Listed to US and Canadian standards for wet locations

5 Year LED Limited Warranty

## Dimension



## Light Distribution Curve



## Ordering Guide

| Series                          | Lamp/Wattage       | Input Voltage | CCT                  |
|---------------------------------|--------------------|---------------|----------------------|
| DG5705(Without Sensor and 3CCT) | 1(One Head)/10W    | 120V AC       | 3000K                |
| DG5705A(With 3CCT)              | 2(Double Head)/20W | 227V AC       | 4000K                |
| DG5705B(With Motion Sensors)    | 3(Triple Head)/30W | 120-277V AC   | 5000K                |
| DG5705C(With Photocell)         |                    |               | Other Customized CCT |
| DG5705D(With Time-controller)   |                    |               |                      |

### CRI

70  
80  
90  
95

### Lamp Body Color

White  
Black  
Brown

### Control System

NONE  
0-10V & 1-10V  
DMX512  
DALI  
WIFI



**Liteharbor Lighting Technology Co., Ltd.**

New Industry Area Hecun Danzao Town  
Nanhai Foshan City Guangdong China

TEL: +86-757-8180 8675

FAX: +86-757-8180 8685

E-mail: info@liteharbor.com

Website: www.liteharbor.com

Specifications subject to change w/o notice

Revision: Jun. 2018



LED SECURITY LIGHT