

LED TRI-PROOF LIGHT

Catalog #		Prepared by	LiteHarbor
Project		Date	
Notes			



LED TRI-PROOF LIGHT

Features

- This is a dustproof, moisture-proof and anti-corrosion product, provide high lumen, thin, beautiful appearance, safe and reliable, convenient installation and easy maintenance tri-proof light.
- This 4 ft. LED ready vapor tight fixture features a reinforced plastic housing and high translucent cover, milky white cover, transparent cover and striped transparent cover are optionals and it can protect the light from bad weather conditions.
- This product is an industrial grade luminaire which is ideal for retail, commercial and industrial applications.
- IP rating: IP65
- Standard dimming control: 0 ~ 10 v dimming.
- Beam angle: 120 degree.
- Emergency system is available.
- Labels: ETL listed, conforms to UL Standard 1598 / 8750 and CSA Standard C22.2, Damp location.
- Warranty: 5-year limited warranty on LED and Driver.

Light Source

Using the energy-saving highlighting 5630 SMD LED light source.

Distributed LED array in a variety of lumen output packages.

LED color temperature is available in 3000K/4000K/5000K/6000K. Module is replaceable.



Liteharbor Lighting Technology Co., Ltd.

New Industry Area Hecun Danzao Town
Nanhai Foshan City Guangdong China

TEL: +86-757-8180 8675

FAX: +86-757-8180 8685

E-mail: info@liteharbor.com

Website: www.liteharbor.com

Specifications subject to change w/o notice

Revision: Jun. 2018

Mounting

The LED Tri-proof light may be surface mounted or suspended, individually or incontinuous row.

Driver

Using isolation constant-current drive power, is the guarantee of security, stability and no flicking.

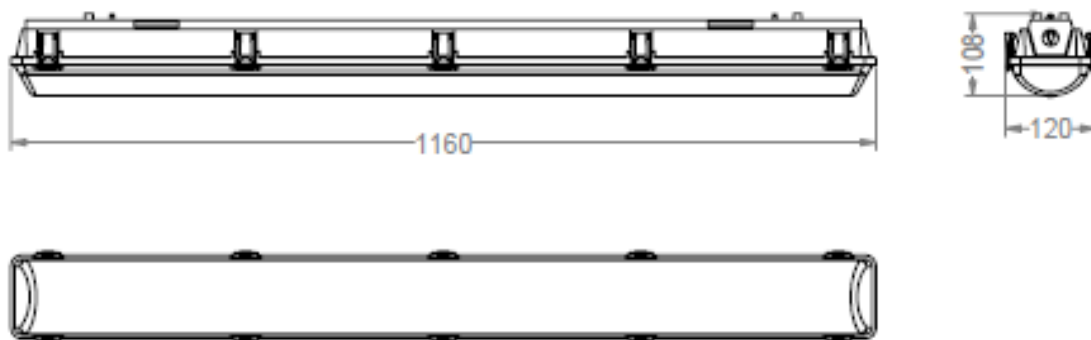
Applications

Suitable for the garage, warehouse, basement and car parks and other places to provide general illumination.

Specification

Power	40W/50W
Voltage	120V ~ 277V AC
Beam Angle	120°
Frequency	50/60Hz
Power factor	>0.98
CRI	80+/90+
Dimmable	NONE/0-10V
CCT	3000K/4000K/5000K/6000K
Lifespan	50000 H
Certification	ETL listed

Dimension



LED TRI-PROOF LIGHT



Liteharbor Lighting Technology Co., Ltd.

New Industry Area Hecun Danzao Town
Nanhai Foshan City Guangdong China

TEL: +86-757-8180 8675

FAX: +86-757-8180 8685

E-mail: info@liteharbor.com

Website: www.liteharbor.com

Specifications subject to change w/o notice

Revision: Jun. 2018

Ordering Guide

Series	Length	Lumen	Voltage	Dimming
<input type="checkbox"/> PLED-2STR	<input type="checkbox"/> 2FT	<input type="checkbox"/> 4000lm	<input type="checkbox"/> 120~277V	<input type="checkbox"/> NONE
<input type="checkbox"/> PLED-4STR	<input type="checkbox"/> 4FT	<input type="checkbox"/> 5000lm		<input type="checkbox"/> 0-10V Dimming
<input type="checkbox"/> PLED-5STR	<input type="checkbox"/> 5FT			

LED Tri-proof Light

CCT/CRI	Mounting	Cover
<input type="checkbox"/> 3000K/80+	<input type="checkbox"/> Surface Mounted	<input type="checkbox"/> Full transparent cover
<input type="checkbox"/> 3000K/90+	<input type="checkbox"/> Suspended Mounted	<input type="checkbox"/> Striped transparent cover
<input type="checkbox"/> 4000K/80+	<input type="checkbox"/> Pendant Mounted	<input type="checkbox"/> Milky white cover
<input type="checkbox"/> 4000K/90+		
<input type="checkbox"/> 5000K/80+		
<input type="checkbox"/> 5000K/90+		
<input type="checkbox"/> 6000K/80+		
<input type="checkbox"/> 6000K/90+		



Packaging

Inner Box: 1165*125*115 mm 1 pcs/CTN

Carton: 118*39*25.5 cm 6 pcs/CTN

Notes:

1. To ensure normal working of the product, please make sure that the voltage using is within the indicated voltage range.
2. Please follow the correct method to install and use this product.
3. Disconnect the power supply when installing and removing the product to avoid the risk of electric shock.
4. Do not look at the LED light source for a long time; high-intensity light source may cause eye damage.
5. When you find the following questions, please consult with a qualified electrician for repair service.

Do not disassemble yourself:

- A. When the product produces stench gas, abnormal sound, or unusual flicker.
 - B. When the shell is damaged, the foreign body intrudes inside.
6. The parameters in this specification may be modifying according to product update.



Liteharbor Lighting Technology Co., Ltd.

New Industry Area Hecun Danzao Town
Nanhai Foshan City Guangdong China

TEL: +86-757-8180 8675

FAX: +86-757-8180 8685

E-mail: info@liteharbor.com

Website: www.liteharbor.com

Specifications subject to change w/o notice

Revision: Jun. 2018