

3.5 INCH GIMBAL LED SPOTLIGHT

| | | | |
|------------------|--|--------------------|------------|
| Catalog # | | Prepared by | LiteHarbor |
| Project | | Date | |
| Notes | | | |



3.5 Inch Gimbal LED Spotlight

Features

- This is a 3.5 inch 12W round gimbal led spotlight, the installation does not need the housing. Each lamp is equipped with a terminal box with a built-in driver.
- The lamp can rotate 20 degrees vertically and rotate horizontally to 360 degrees.
- Using two clips installation, easy installation and time-saving, tool-free, no housing. Can be installed in 1/2" to 1 1/4" thick ceilings.
- The lamp and the driver junction box is connected with quick pull connection terminal FT4 line, and the performance of the anti-pull device is good.
- Using constant current power supply, long service life, low electromagnetic interference, low energy consumption and high performance.
- Dimming: Non-Dimming/TRIAC Dimming, compatible with a variety of silicon controlled dimming, dimming depth 5% without flicker.
- New construction is optional.

Applications

Apply to automotive and parking, education, government, healthcare, hospitality, offices and banks, religious, retail.



Liteharbor Lighting Technology Co., Ltd.

New Industry Area Hecun Danzao Town
Nanhai Foshan City Guangdong China

TEL: +86-757-8180 8687

FAX: +86-757-8180 8685

E-mail: info@liteharbor.com

Website: www.liteharbor.com

Specifications subject to change w/o notice

Revision: Mar. 2018



Specifications

Radiator: Using cold forging radiator, fast heat dissipation, good effect, effectively ensure the service life of the lamp.

Accessory: The products are made of aluminum alloy die-casting, can electroplate or spray of high reflective powder, elegant appearance.

LED Chips: Using high brightness COB chip, superior performance, durable and stable, even illumination, retain color for long time, life rated for 50,000 hours at 70% lumen maintenance, low light failure and long life.

FT4 line fast connection terminal:

With anti-pull device, safe and reliable and easy to install.

Driver

- Independent constant current isolation drive, optional high power factor.
- Constant current design, high reliability and stable performance.
- Products meet the requirements of safety regulations and electromagnetic compatibility.

Parameter

| | |
|-----------|----------|
| Power | 10W/12W |
| Voltage | 120V AC |
| Frequency | 50/60 Hz |
| PF | >0.95 |
| Dimming | TRIAC |

Listing / Warranty

ETL listed to US and Canadian standards for damp location W/Feed through.

5 Year Limited Warranty.

Ordering Guide

| Series | Watt | Lumen | CCT | CRI | Finish |
|--|------------------------------|--------------------------------|--------------------------------|------------------------------|---------------------------------------|
| <input type="checkbox"/> BL35-007-BR | <input type="checkbox"/> 10W | <input type="checkbox"/> 700lm | <input type="checkbox"/> 2700K | <input type="checkbox"/> 80+ | <input type="checkbox"/> White |
| <input type="checkbox"/> LED SPOTLIGHT | <input type="checkbox"/> 12W | <input type="checkbox"/> 800lm | <input type="checkbox"/> 3000K | <input type="checkbox"/> 90+ | <input type="checkbox"/> Black |
| | | | <input type="checkbox"/> 4000K | | <input type="checkbox"/> Satin nickel |

Dimming

- Non-dimming
- TRIAC



Liteharbor Lighting Technology Co., Ltd.

New Industry Area Hecun Danzao Town
Nanhai Foshan City Guangdong China

TEL: +86-757-8180 8687

FAX: +86-757-8180 8685

E-mail: info@liteharbor.com

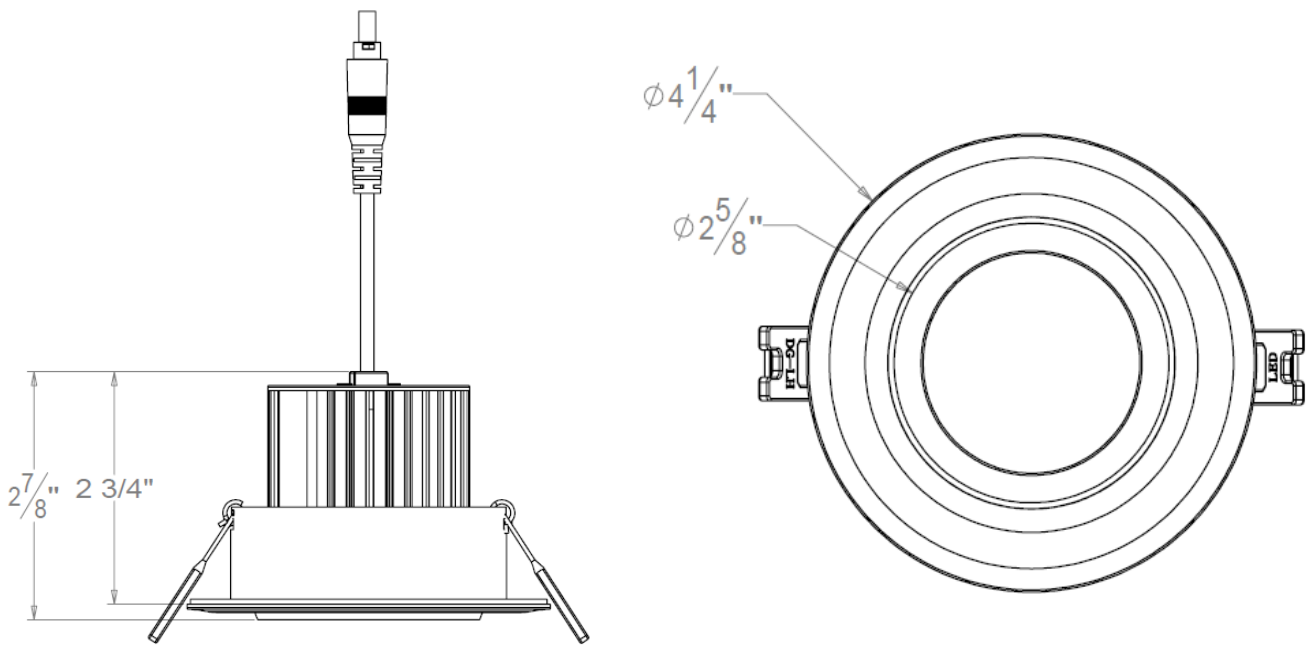
Website: www.liteharbor.com

Specifications subject to change w/o notice

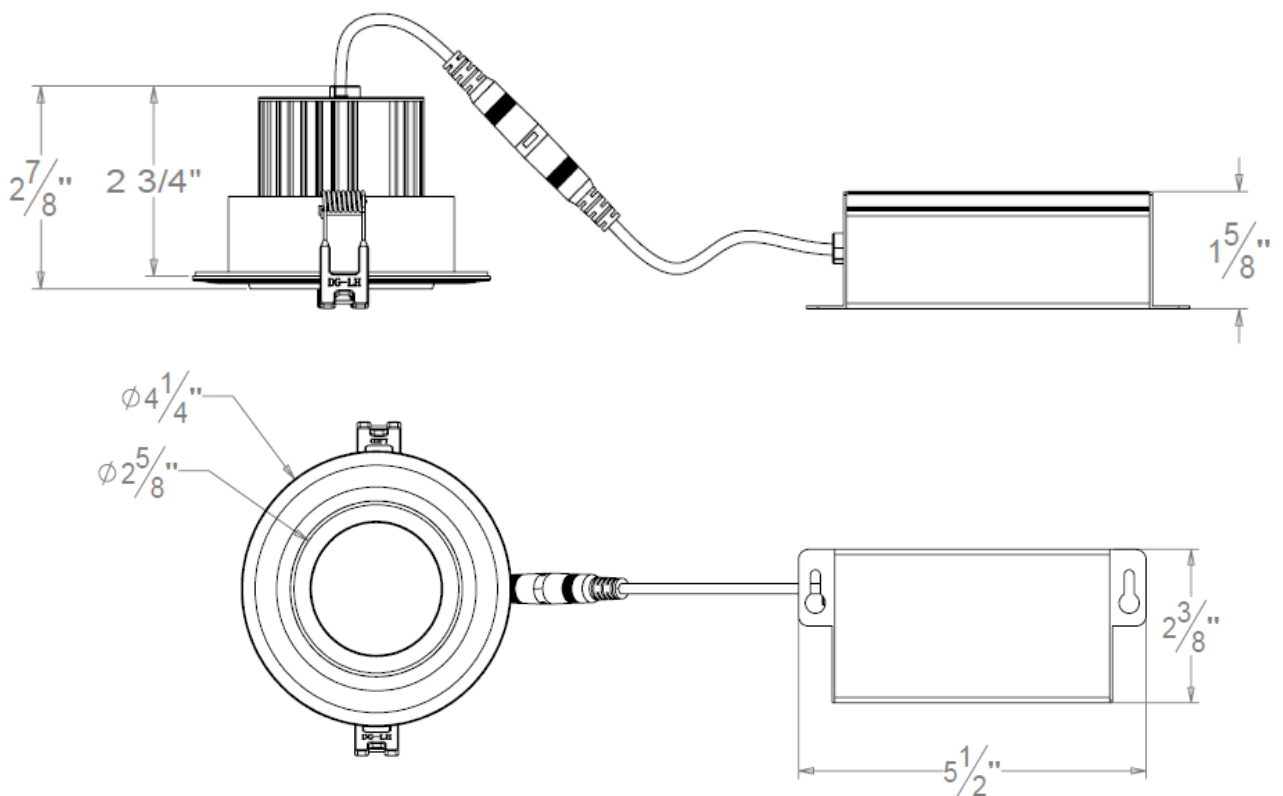
Revision: Mar. 2018



Dimensions



With Junction Box



LED SPOTLIGHT



Liteharbor Lighting Technology Co., Ltd.
 New Industry Area Hecun Danzao Town
 Nanhai Foshan City Guangdong China

TEL: +86-757-8180 8687
 FAX: +86-757-8180 8685
 E-mail: info@liteharbor.com

Website: www.liteharbor.com
 Specifications subject to change w/o notice
 Revision: Mar. 2018