

# 4 INCH GIMBAL LED SPOTLIGHT

<b>Catalog #</b>		<b>Prepared by</b>	LiteHarbor
<b>Project</b>		<b>Date</b>	
<b>Notes</b>			



## 4 Inch Gimbal LED Spotlight

### Features

- This is a 4 inch 16W round gimbal led spotlight, the installation does not need the housing. Each lamp is equipped with a terminal box with a built-in driver.
- The lamp can rotate 20 degrees vertically and rotate horizontally to 360 degrees.
- Using two clips installation, easy installation and time-saving, tool-free, no housing. Can be installed in 1/2" to 1 1/4" thick ceilings.
- The lamp and the driver junction box is connected with quick pull connection terminal FT4 line, and the performance of the anti-pull device is good.
- Using constant current power supply, long service life, low electromagnetic interference, low energy consumption and high performance.
- Dimming: Non-Dimming/TRIAC Dimming, compatible with a variety of silicon controlled dimming, dimming depth 5% without flicker.
- New construction is optional.

### Applications

Apply to automotive and parking, education, government, healthcare, hospitality, offices and banks, religious, retail.



**Liteharbor Lighting Technology Co., Ltd.**

New Industry Area Hecun Danzao Town  
Nanhai Foshan City Guangdong China

TEL: +86-757-8180 8687

FAX: +86-757-8180 8685

E-mail: info@liteharbor.com

Website: www.liteharbor.com

Specifications subject to change w/o notice

Revision: Mar. 2018



LED SPOTLIGHT

## Specifications

Radiator: Using cold forging radiator, fast heat dissipation, good effect, effectively ensure the service life of the lamp.

Accessory: The products are made of aluminum alloy die-casting, can electroplate or spray of high reflective powder, elegant appearance.

LED Chips: Using high brightness COB chip, superior performance, durable and stable, even illumination, retain color for long time, life rated for 50,000 hours at 70% lumen maintenance, low light failure and long life.

## FT4 line fast connection terminal:

With anti-pull device, safe and reliable and easy to install.

## Driver

- Independent constant current isolation drive, optional high power factor.
- Constant current design, high reliability and stable performance.
- Products meet the requirements of safety regulations and electromagnetic compatibility.

## Parameter

Power	12/16W
Voltage	120V AC
Frequency	50/60 Hz
PF	>0.95
Dimming	TRIAC

## Listing / Warranty

ETL listed to US and Canadian standards for damp location W/Feed through.

5 Year Limited Warranty.

## Ordering Guide

Series	Watt	Lumen	CCT	CRI	Finish
<input type="checkbox"/> BL4-007-BR	<input type="checkbox"/> 12W	<input type="checkbox"/> 850lm	<input type="checkbox"/> 2700K	<input type="checkbox"/> 80+	<input type="checkbox"/> White
<input type="checkbox"/> LED SPOTLIGHT	<input type="checkbox"/> 16W	<input type="checkbox"/> 1120lm	<input type="checkbox"/> 3000K	<input type="checkbox"/> 90+	<input type="checkbox"/> Black
			<input type="checkbox"/> 4000K		<input type="checkbox"/> Satin nickel

### Dimming

- Non-dimming
- TRIAC



**Liteharbor Lighting Technology Co., Ltd.**

New Industry Area Hecun Danzao Town  
Nanhai Foshan City Guangdong China

TEL: +86-757-8180 8687

FAX: +86-757-8180 8685

E-mail: info@liteharbor.com

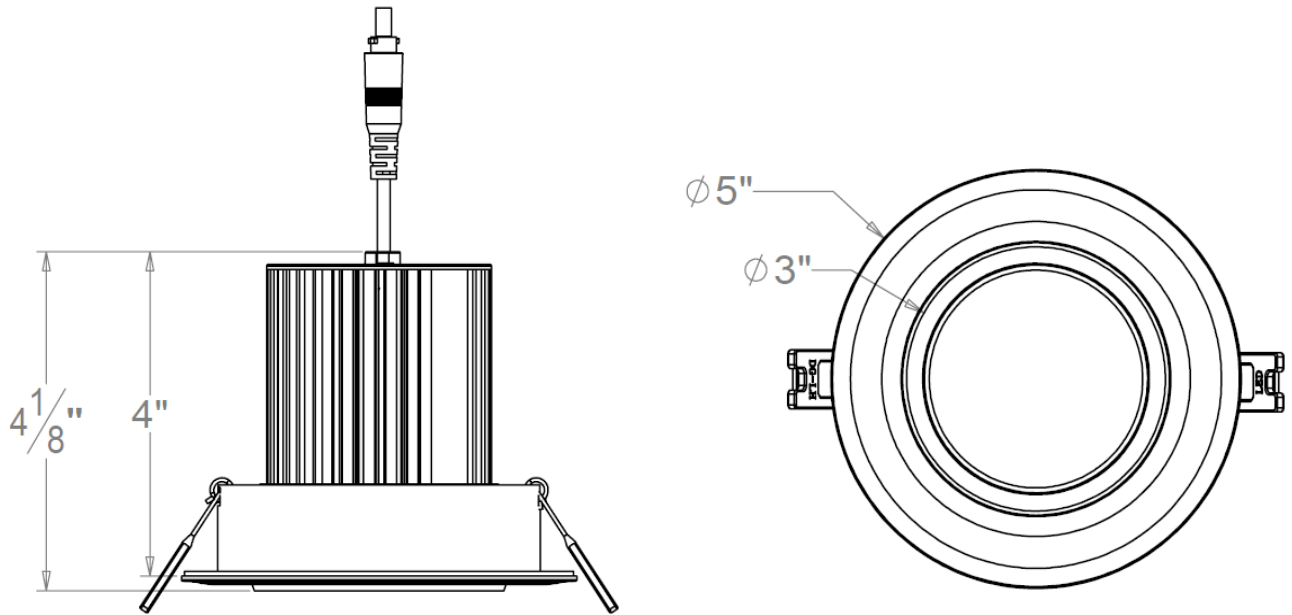
Website: www.liteharbor.com

Specifications subject to change w/o notice

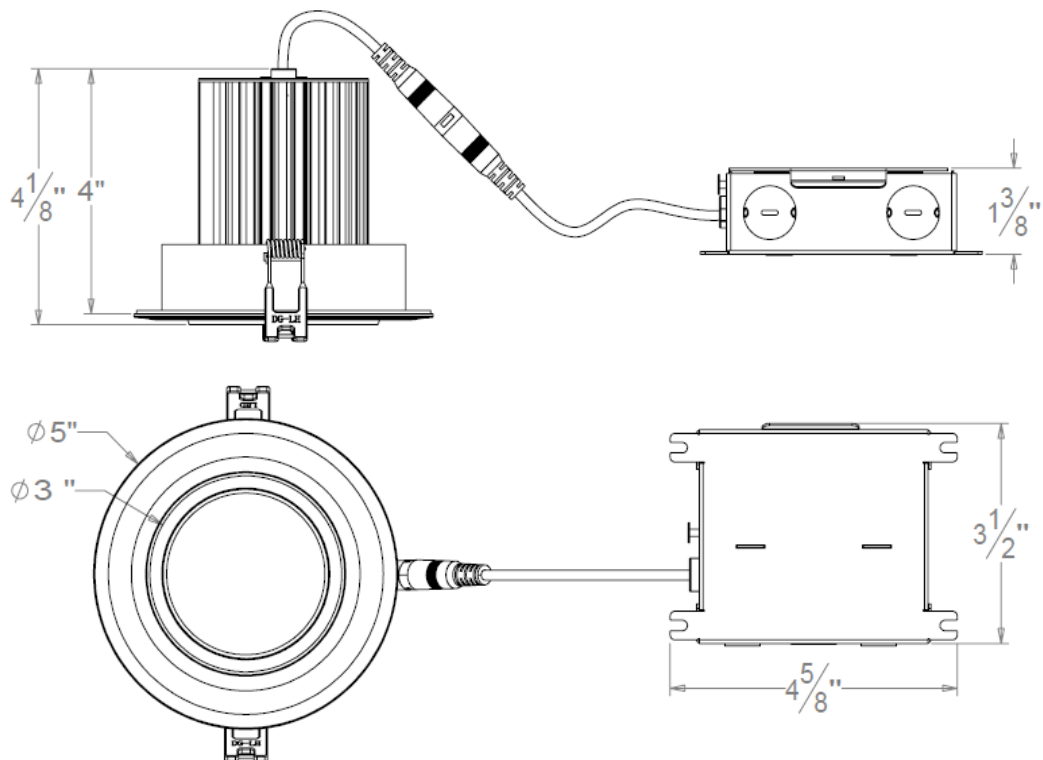
Revision: Mar. 2018



## Dimensions



## With Junction Box



LED SPOTLIGHT



**Liteharbor Lighting Technology Co., Ltd.**  
 New Industry Area Hecun Danzao Town  
 Nanhai Foshan City Guangdong China

TEL: +86-757-8180 8687  
 FAX: +86-757-8180 8685  
 E-mail: info@liteharbor.com

Website: www.liteharbor.com  
 Specifications subject to change w/o notice  
 Revision: Mar. 2018