

HOLLYWOOD LED MIRROR LIGHT

| | | | |
|------------------|--|--------------------|------------|
| Catalog # | | Prepared by | LiteHarbor |
| Project | | Date | |
| Notes | | | |



Square Shape Single Side Desktop Hollywood Mirror

Features

- The Hollywood mirror is made of 5mm silver mirror glass, through the grinding edge, process sand refining can effectively prevent the glass black point, greatly improve the service life of the product.
- Metal frame, can be made into black and white(Surface wire oxidation treatment, the color can be customized according to customer requirements).
- Light Source: 12V energy saving LED bulb. CCT tunable, adjustable light, high indication, high color reduction, high quality PC cover, uniform light.
- Style: Desktop mirror.
- Optional Functions: Dimmable, Bluetooth.
- Switch: Button switch, Touch switch, Dimming switch.
- Certificates/Standards: IP20, ETL listed.
- Finish: White/Red(Customized is available)

Applications

Studio, Makeup room, Bedroom.



HOLLYWOOD MIRROR LIGHT



Liteharbor Lighting Technology Co., Ltd.
 New Industry Area Hecun Danzao Town
 Nanhai Foshan City Guangdong China

TEL: +86-757-8180 8675
 FAX: +86-757-8180 8685
 E-mail: info@liteharbor.com

Website: www.liteharbor.com
 Specifications subject to change w/o notice
 Revision: Mar. 2018

Details

| | |
|-----------|-------------------|
| Item No. | MR-028-HD |
| Shape | Square Shape |
| IP Rating | IP20 |
| Voltage | 12V |
| Dimming | Non-Dimming/TRIAC |

Packing

Standard Export Package (Protective Foam and Carton Box, Wooden rack optional)

Listing / Warranty

ETL listed to US and Canadian standards for damp location W/Feed through.

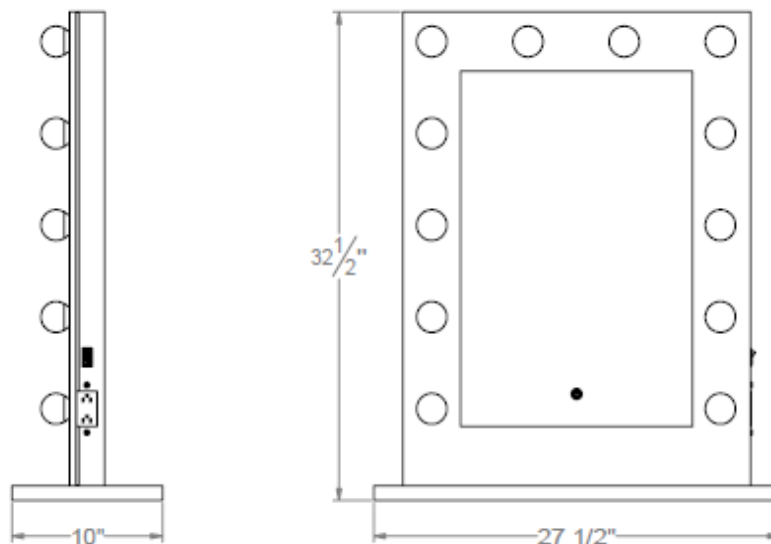
5 Year Limited Warranty.

Dimensions

650x450x225 mm

700x1000x255 mm

800x600x255 mm



***Various styles**



HOLLYWOOD MIRROR LIGHT



Liteharbor Lighting Technology Co., Ltd.

New Industry Area Hecun Danzao Town

Nanhai Foshan City Guangdong China

TEL: +86-757-8180 8675

FAX: +86-757-8180 8685

E-mail: info@liteharbor.com

Website: www.liteharbor.com

Specifications subject to change w/o notice

Revision: Mar. 2018

Ordering Guide

| Series | Size | Color | Functions |
|--|--|--|--|
| <input type="checkbox"/> MR-028-HD Hollywood Mirror Light | <input type="checkbox"/> 650x450 mm <input type="checkbox"/> 800x600 mm <input type="checkbox"/> 700x1000 mm | <input type="checkbox"/> White <input type="checkbox"/> Black | <input type="checkbox"/> Touch Switch <input type="checkbox"/> Inductive Switch <input type="checkbox"/> Dimming Switch <input type="checkbox"/> Wireless Music |



HOLLYWOOD MIRROR LIGHT



Liteharbor Lighting Technology Co., Ltd.

New Industry Area Hecun Danzao Town
Nanhai Foshan City Guangdong China

TEL: +86-757-8180 8675

FAX: +86-757-8180 8685

E-mail: info@liteharbor.com

Website: www.liteharbor.com

Specifications subject to change w/o notice

Revision: Mar. 2018