

HOLLYWOOD LED MIRROR LIGHT

Catalog #		Prepared by	LiteHarbor
Project		Date	
Notes			



HOLLYWOOD MIRROR LIGHT

Round Shape Single Side Desktop Hollywood Mirror

Features

- The Hollywood mirror is made of 5mm silver mirror glass, through the grinding edge, process sand refining can effectively prevent the glass black point, greatly improve the service life of the product.
- Metal frame, can be made into black and white(Surface wire oxidation treatment, the color can be customized according to customer requirements).
- Light Source: Energy saving SMD chips.
color reduction, high quality PC cover, uniform light.
- Style: Desktop mirror.
- Optional Functions: Dimmable, Bluetooth.
- Switch: Button switch, Touch switch, Dimming switch.
- Certificates/Standards: IP20, ETL listed.

Applications

Studio, Makeup room, Bedroom.



Liteharbor Lighting Technology Co., Ltd.
New Industry Area Hecun Danzao Town
Nanhai Foshan City Guangdong China

TEL: +86-757-8180 8675
FAX: +86-757-8180 8685
E-mail: info@liteharbor.com

Website: www.liteharbor.com
Specifications subject to change w/o notice
Revision: Mar. 2018

Details

Item No.	MR-024-HD-60
Shape	Round Shape
IP Rating	IP20
Voltage	12V
Dimming	Non-Dimming/TRIAC

Packing

Standard Export Package (Protective Foam and Carton Box, Wooden rack optional)

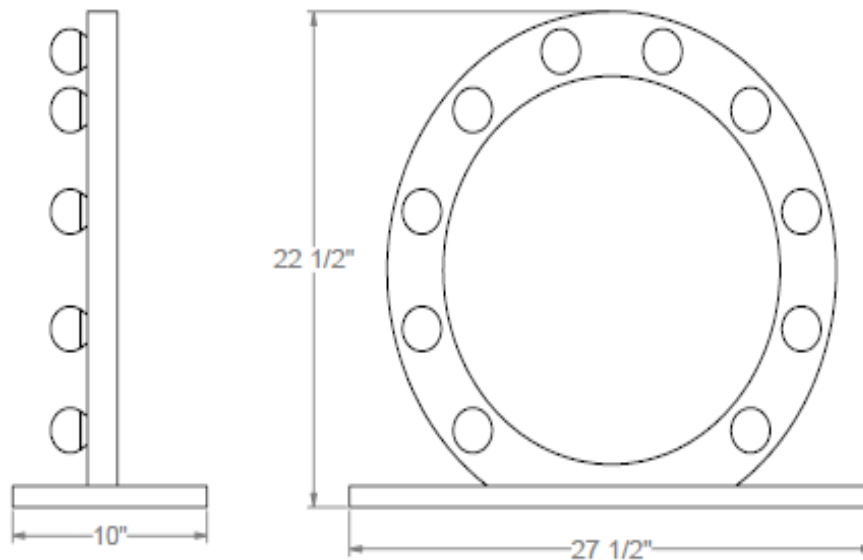
Listing / Warranty

ETL listed to US and Canadian standards for damp location W/Feed through.

5 Year Limited Warranty.

Dimensions

Φ600x255 mm



HOLLYWOOD MIRROR LIGHT



Liteharbor Lighting Technology Co., Ltd.

New Industry Area Hecun Danzao Town
Nanhai Foshan City Guangdong China

TEL: +86-757-8180 8675

FAX: +86-757-8180 8685

E-mail: info@liteharbor.com

Website: www.liteharbor.com

Specifications subject to change w/o notice

Revision: Mar. 2018

Ordering Guide

Series	Size	Color	Functions
<input type="checkbox"/> MR-024-HD Hollywood Mirror Light	<input type="checkbox"/> Φ 600 mm	<input type="checkbox"/> White <input type="checkbox"/> Black	<input type="checkbox"/> Touch Switch <input type="checkbox"/> Inductive Switch <input type="checkbox"/> Dimming Switch



HOLLYWOOD MIRROR LIGHT



Liteharbor Lighting Technology Co., Ltd.

New Industry Area Hecun Danzao Town
Nanhai Foshan City Guangdong China

TEL: +86-757-8180 8675

FAX: +86-757-8180 8685

E-mail: info@liteharbor.com

Website: www.liteharbor.com

Specifications subject to change w/o notice

Revision: Mar. 2018