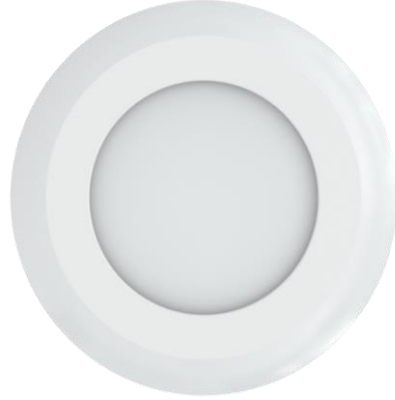


# LED DISK LIGHT

<b>Catalog #</b>		<b>Prepared by</b>	LiteHarbor
<b>Project</b>		<b>Date</b>	
<b>Notes</b>			



## 4 Inch Surface And Recessed Mounted LED Disk Light

### Features

- This Disk Light is a universal surface mount trim/luminaire. It replaces bulbs can be flush mounts, recessed trims, and installs on most 4" round or octagon junction boxes (minimum 2-1/8" depth junction box required).
- Provides surface mount light for 4 inch junction boxes or fire rated boxes. It is suitable for use in dry, damp location such as shower room/fire box around.
- 120V operation with TRIAC/ELV dimming down to 10%.
- Flexible mounting with junction box bracket (included), easy installation and instant on make you feel convenient and different from what you used to have for light up your room.
- Can be installed in both a 4" recessed housings, for new construction, remodel and retrofit applications.

### Specifications

**Lamp Body:** The product is made of iron spinning, and can be electroplated or sprayed with high-reflectivity powder. It is beautiful and elegant. It can be used for a long time without discoloration, and its light uniformity is extremely high.

**Light Source:** Using famous brand LED chips, superior performance, life rated for 30,000 hours at 70% lumen maintenance.

**Driver:** AC line voltage scheme is adopted to effectively reduce the size and weight of the lamps, long power supply life, low electromagnetic interference, low energy consumption and high performance.

**Diffuser:** The use of high transmittance diffuser ensures that the light is uniform, delicate, soft and non-irritating, and ensures high light transmission effect while effectively preventing glare.



**Liteharbor Lighting Technology Co., Ltd.**

New Industry Area Hecun Danzao Town  
Nanhai Foshan City Guangdong China

TEL: +86-757-8180 8687

FAX: +86-757-8180 8685

E-mail: info@liteharbor.com

Website: www.liteharbor.com

Specifications subject to change w/o notice

Revision: Jun. 2018

## Applications

Apply to automotive and parking, education, government, healthcare, hospitality, offices and banks, religious, retail.

## Parameter List

Watt	10W
Voltage	AC 120V
Frequency	50/60 Hz
PF	>0.95
Dimming	Non-Dimming/TRIAC Dimming
CRI	80+/90+
CCT	3000/4000/5000/6500K

## Listing / Warranty

ETL listed to US and Canadian standards for damp location W/Feed through.

3 Year Limited Warranty.

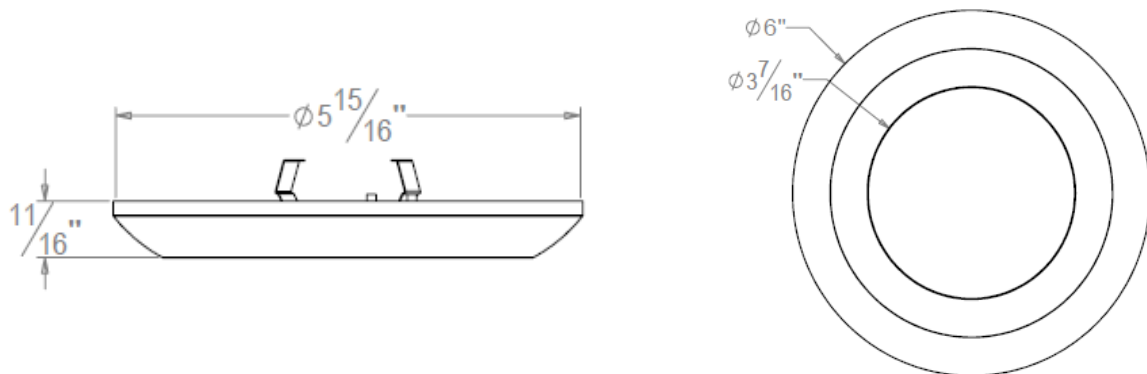


## Packing

Inner Box: 160\*160\*40 mm 1 PC/Box

Carton: 50\*33.5\*18.5 cm 24 PCS/Carton

## Dimension



## Ordering Guide

Series	Lumen	CCT	CRI	Dimming	Finish
<input type="checkbox"/> BL4-003-2	<input type="checkbox"/> 550lm	<input type="checkbox"/> 3000K	<input type="checkbox"/> 80+	<input type="checkbox"/> Non-Dimming	<input type="checkbox"/> Black
LED Disk Light		<input type="checkbox"/> 4000K	<input type="checkbox"/> 90+	<input type="checkbox"/> TRIAC Dimming	<input type="checkbox"/> White
		<input type="checkbox"/> 5000K			<input type="checkbox"/> Satin Nickel
		<input type="checkbox"/> 6500K			



**Liteharbor Lighting Technology Co., Ltd.**

New Industry Area Hecun Danzao Town  
Nanhai Foshan City Guangdong China

TEL: +86-757-8180 8687

FAX: +86-757-8180 8685

E-mail: info@liteharbor.com

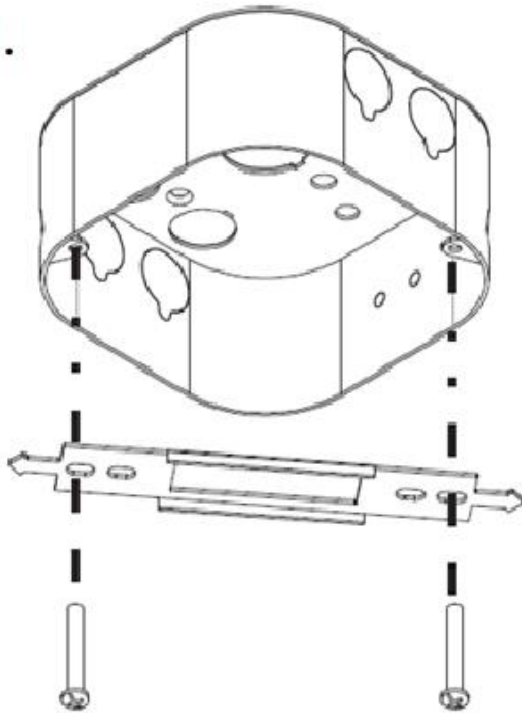
Website: www.liteharbor.com

Specifications subject to change w/o notice

Revision: Jun. 2018

## Installation Instructions

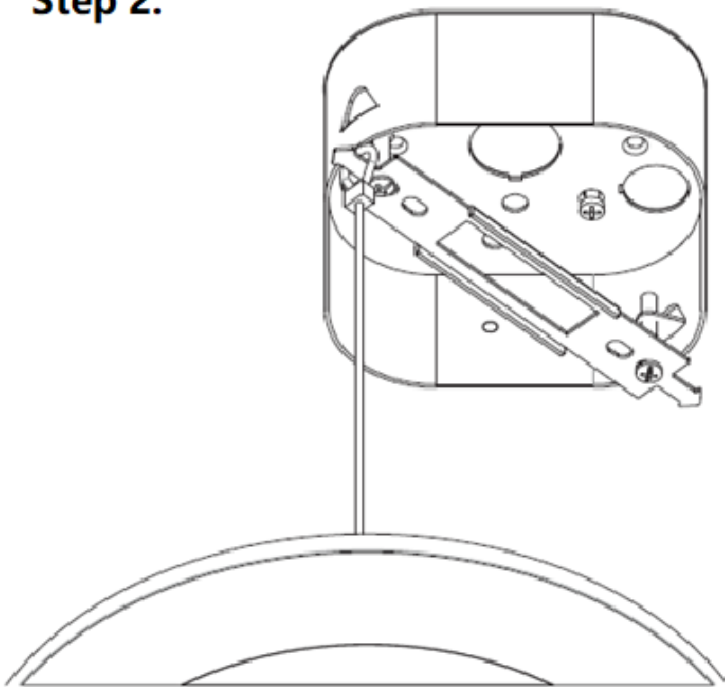
### Step 1.



### Step 1.

Place the cross bar over the outlet box. Insert mounting screws through the slots in the cross bar and then tightly secure the mounting screws into the outlet box.

### Step 2.



### Step 2.

Hang one end of the safety rope on the ceiling bracket and hang the disk light.



**Liteharbor Lighting Technology Co., Ltd.**

New Industry Area Hecun Danzao Town

Nanhai Foshan City Guangdong China

TEL: +86-757-8180 8687

FAX: +86-757-8180 8685

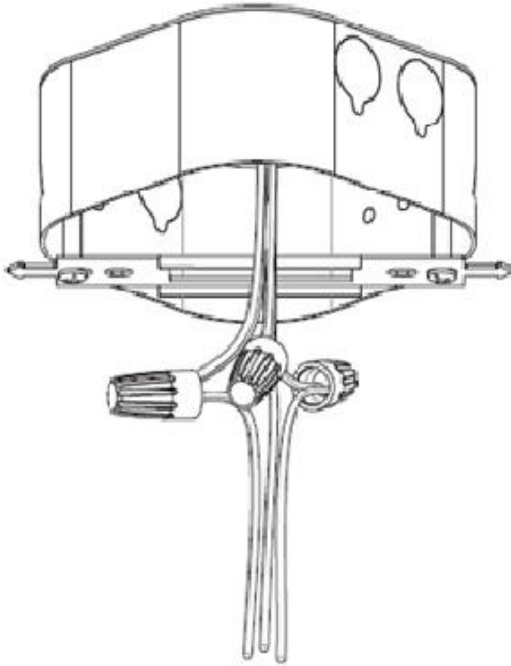
E-mail: info@liteharbor.com

Website: www.liteharbor.com

Specifications subject to change w/o notice

Revision: Jun. 2018

### Step 3.

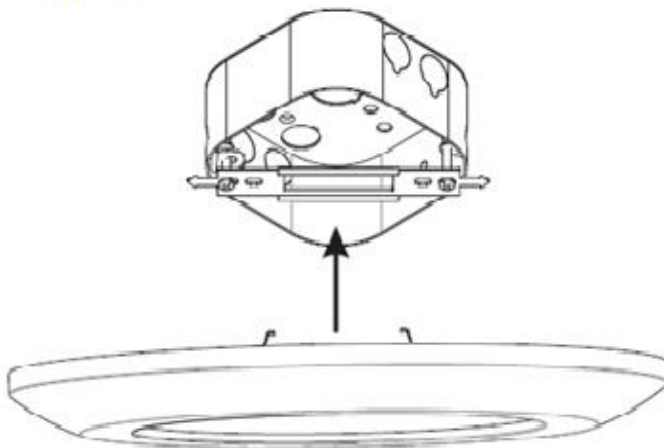


### Step 3.

Connect supply wires to wires in fixture wiring box with proper size wire nuts or push wires into "push-in" connector. Connect white to white, black to black, and green or bare copper wire to bare copper wire.



### Step 4.



### Step 4.

Slide the wire cable in the notch of the cross bar, and then insert the fixture's clip to the center hole of cross bar.



**Liteharbor Lighting Technology Co., Ltd.**

New Industry Area Hecun Danzao Town  
Nanhai Foshan City Guangdong China

TEL: +86-757-8180 8687

FAX: +86-757-8180 8685

E-mail: info@liteharbor.com

Website: www.liteharbor.com

Specifications subject to change w/o notice

Revision: Jun. 2018