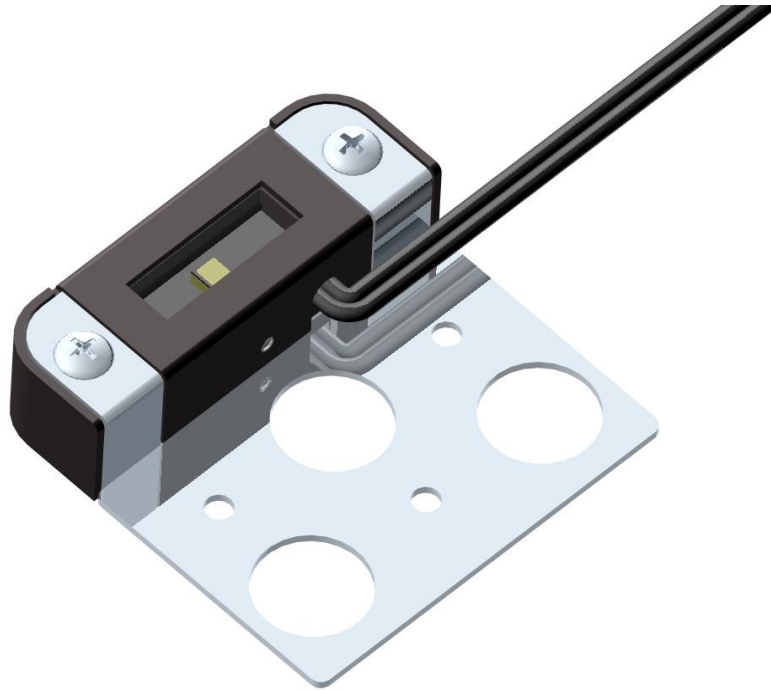


# LED HARDSCAPE LAMP

Catalog #		Prepared by	LiteHarbor
Project		Date	
Notes			



## Descriptions

Liteharbor Hardscape Lamp is the perfect solution for outdoor applications, this fixture is intended to be installed between brick or masonry, fully encapsulated design ensures the fixture will stand the test of time with no callback or replacement.

## Features

- Die-casting aluminum light bar, stainless steel mounting bracket and screws.
- Break off corners on mounting plate for easy install.
- Operates at 12V with no loss in output due to constant current technology.
- Removable light bar can suitable for different application.
- 120 degree beam angle with 1 pcs LED chips at a total of 0.2W.
- Using LED SMD 3535/5050 Chips, the quality is guaranteed.

## Applications

Suitable for retaining wall, gardens, benches, gazebos, decks, patios, stairs and outdoor living spaces.



**Liteharbor Lighting Technology Co., Ltd.**

New Industry Area Hecun Danzao Town  
Nanhai Foshan City Guangdong China

TEL: +86-757-8180 8675

FAX: +86-757-8180 8685

E-mail: info@liteharbor.com

Website: www.liteharbor.com

Specifications subject to change w/o notice

Revision: Jan. 2019



LED HARDSCAPE LAMP

## Product Details

Product Series	LED Hardspace Lamp
Item No.	DG6216

## Electronic Performance

Input Voltage	AC/DC12V
Frequency Range	60Hz
System Power	0.2W
PF	>0.9
Driver	Liteharbor
Dimmable	Non-dimmable

## Optical Performance

Total Lumen	15 lm
LED Light Source	SMD3535/5050
LED Qty	1 PCS
CCT	2700K-5000K
CRI	90+
IP Rating	IP66
Beam Angle	120 Degree

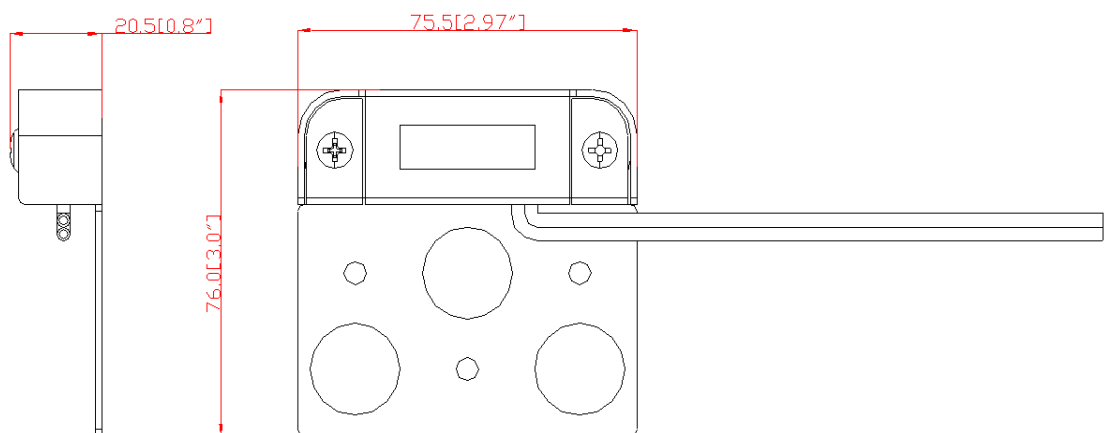
## Mechanical Performance

Material	Stainless steel/Aluminium/Bronzed
IP Rating	IP65
Finish	White/Black/Brown
Dimensions	75.5mm*25mm*18.5mm

## Warranty

5 Years Limited Warranty.

## Dimensions



**Liteharbor Lighting Technology Co., Ltd.**

New Industry Area Hecun Danzao Town  
Nanhai Foshan City Guangdong China

TEL: +86-757-8180 8675

FAX: +86-757-8180 8685

E-mail: info@liteharbor.com

Website: www.liteharbor.com

Specifications subject to change w/o notice

Revision: Jan. 2019

