

# LED CABINET LIGHT WITH 9 PCS LAMP BEADS

Catalog #		Prepared by	LiteHarbor
Project		Date	
Notes			



LED CABINET LIGHT

## Descriptions

Liteharbor Cabinet Light is the perfect solution for the kitchen lighting, these fixtures are important for work space lighting or as aesthetic complements or both.

## Features

- Die-casting aluminum light bar, stainless steel mounting bracket and screws.
- Break off corners on mounting plate for easy install.
- Operates at 12V with no loss in output due to constant current technology.
- Removable light bar can suitable for different application.
- 120 degree beam angle with 9 pcs LED chips at a total of 3W.
- Using LED SMD 3535/5050 Chips, the quality is guaranteed.

## Applications

Suitable for cabinet, counter, cupboard, shelf, display, pelmet, etc.



**Liteharbor Lighting Technology Co., Ltd.**

New Industry Area Hecun Danzao Town  
Nanhai Foshan City Guangdong China

TEL: +86-757-8180 8675

FAX: +86-757-8180 8685

E-mail: info@liteharbor.com

Website: www.liteharbor.com

Specifications subject to change w/o notice

Revision: Jan. 2019

## Product Details

Product Series	LED Cabinet Light
Item No.	DG5014

## Electronic Performance

Input Voltage	AC/DC12V
Frequency Range	60Hz
System Power	3W
PF	>0.9
Driver	Liteharbor
Dimmable	Non-dimmable

## Optical Performance

Total Lumen	180 lm
LED Light Source	SMD3535/5050
LED Qty	9 PCS
CCT	2700K-5000K
CRI	90+
IP Rating	IP66
Beam Angle	120 Degree

## Mechanical Performance

Material	Stainless steel/Aluminium/Bronzed
IP Rating	IP65
Finish	White/Black/Brown
Dimensions	480mm*25mm*18.5mm

## Warranty

5 Years Limited Warranty.



**Liteharbor Lighting Technology Co., Ltd.**

New Industry Area Hecun Danzao Town

Nanhai Foshan City Guangdong China

TEL: +86-757-8180 8675

FAX: +86-757-8180 8685

E-mail: info@liteharbor.com

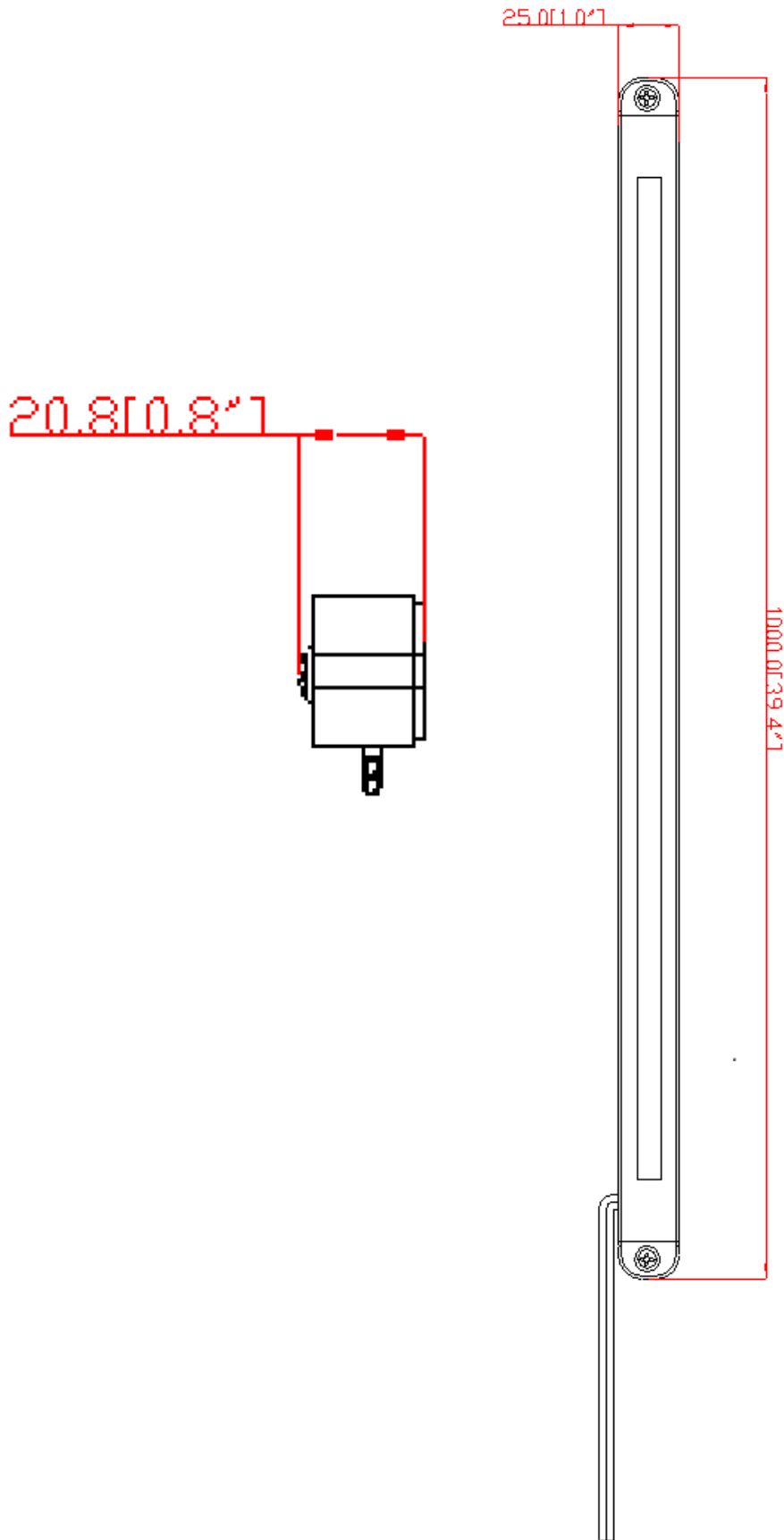
Website: www.liteharbor.com

Specifications subject to change w/o notice

Revision: Jan. 2019



## Dimensions



LED CABINET LIGHT



**Liteharbor Lighting Technology Co., Ltd.**

New Industry Area Hecun Danzao Town  
Nanhai Foshan City Guangdong China

TEL: +86-757-8180 8675

FAX: +86-757-8180 8685

E-mail: [info@liteharbor.com](mailto:info@liteharbor.com)

Website: [www.liteharbor.com](http://www.liteharbor.com)

Specifications subject to change w/o notice

Revision: Jan. 2019