

LED WALL LIGHT

Catalog #		Prepared by	LiteHarbor
Project		Date	
Notes			



LED WALL LIGHT

Descriptions

Liteharbor Wall Light feature a polished brass surface that complements the classic design, it blends a variety of home look and style. Durable copper construction and weather resistance make it a reliable choice for your home exterior.

Features

- The appearance of the product is textured, simple, smooth, luxurious and changeable style.
- Crafted and well done. It is a combination of science and technology and plastic arts. The effect is vivid and intimate, functionally clever and practical.
- The lamp is composed of three parts, consisting of a lamp body, a rotating bracket and a base, and a 180 °rotating structure, can meet the needs of different applications.
- The lamps are made of brass, with retro surface treatment, and a variety of color choices.
- Reasonable heat dissipation design ensures lamp service life more than 5 years.
- Professional optical design with high-efficiency optical lens distribution, a variety of light distribution options.
- IP Rating: IP68



Liteharbor Lighting Technology Co., Ltd.

New Industry Area Hecun Danzao Town
Nanhai Foshan City Guangdong China

TEL: +86-757-8180 8675

FAX: +86-757-8180 8685

E-mail: info@liteharbor.com

Website: www.liteharbor.com

Specifications subject to change w/o notice

Revision: Mar. 2019

Applications

Suitable for outdoor lighting.

Product Details

Product Series	LED Wall Light
Item No.	DG5702

Electronic Performance

Input Voltage	AC/DC12V
Frequency Range	60Hz
System Power	6W
PF	>0.9
Driver	Liteharbor
Dimmable	YES

Optical Performance

Total Lumen	450 lm
LED Light Source	SMD3030
CCT	2700K-5000K
CRI	90+
Beam Angle	15/25/30/45/60 Degree

Mechanical Performance

Material	Copper
IP Rating	IP68
Finish	White/Black/Brown
Dimensions	φ73.5*192.5mm

Warranty

5 Years Limited Warranty.



Liteharbor Lighting Technology Co., Ltd.

New Industry Area Hecun Danzao Town
Nanhai Foshan City Guangdong China

TEL: +86-757-8180 8675

FAX: +86-757-8180 8685

E-mail: info@liteharbor.com

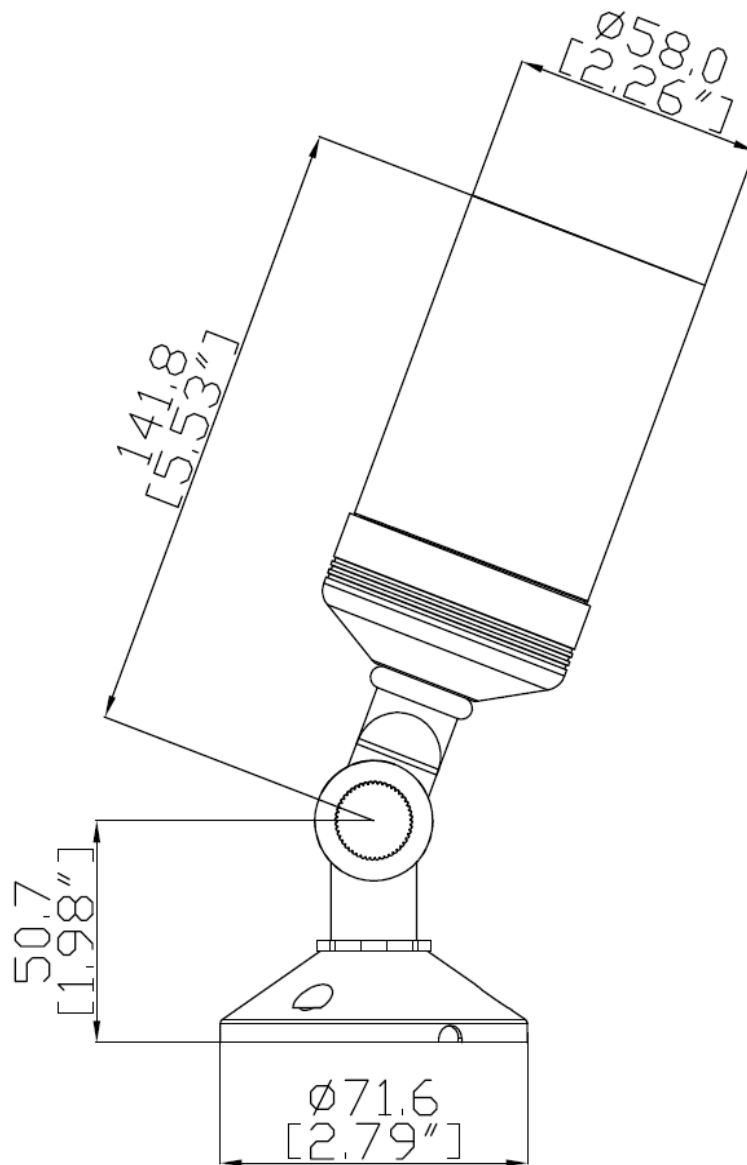
Website: www.liteharbor.com

Specifications subject to change w/o notice

Revision: Mar. 2019



Dimension



LED WALL LIGHT



Liteharbor Lighting Technology Co., Ltd.

New Industry Area Hecun Danzao Town
Nanhai Foshan City Guangdong China

TEL: +86-757-8180 8675

FAX: +86-757-8180 8685

E-mail: info@liteharbor.com

Website: www.liteharbor.com

Specifications subject to change w/o notice

Revision: Mar. 2019