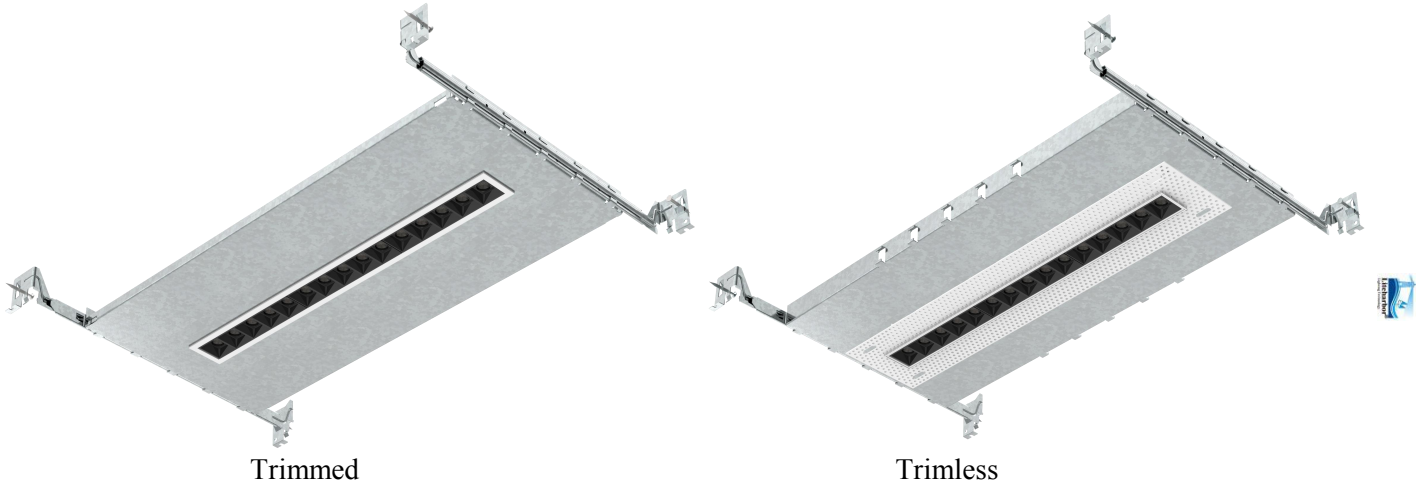


G4013A-15-NC MINI MULTIPLE DOWNLIGHT

Catalog #		Prepared by	LiteHarbor
Project		Date	
Notes			



Trimmed

Trimless

New Construction Vertical Mini LED Multiple Downlight with 15 Lamps

Description

The New Construction Mini Multiple Downlight are equipped with 1, 2, 5, 10 and 15 lamps. The miniaturized design, die-cast aluminum body, and high-performance acrylic diffuser provide uniform scientific light output for maximum visual comfort.

Features

- Revolutionary narrow recessed downlight available in slim trim or trimless.
- The simplified retrofit installation can be used in both new and existing spaces.
- Dimmable with a variety of commonly used drivers.
- Life Rated for 50,000 hours at 70% lumen maintenance.
- Easy installation for new construction and remodel applications.

Specification

- Luminaire efficacy: 65 to 80lm/W
- Source: White LED module (LM-80 tested) 2700K~6000K CRI>90
- Lumen maintenance: 90% of initial lumens at 50 000 hours (L90) (LM79 tested)
- Optics: Low luminance: Spot optic, with pptbeam technology
- Material: Body and Heat sink: Die-cast aluminum, Reflector and Baffle: Thermoplastic
- Mounting: New construction installation or remodel installation



Liteharbor Lighting Technology Co., Ltd.
New Industry Area Hecun Danzao Town
Nanhai Foshan City Guangdong China

TEL: +86-757-8180 8687
FAX: +86-757-8180 8685
E-mail: info@liteharbor.com

Website: www.liteharbor.com
Specifications subject to change w/o notice
Revision: Jun. 2019

- Electrical: High efficiency electronic driver, rated at 50 000 hours
- Weight: 0.1 to 2.42lbs (0.05 to 1.1kg)
- Warranty: 3 year limited warranty.

Listing / Warranty

ETL listed to US and Canadian standards for damp location W/Feed through.
3 Year Limited Warranty.

Applications

Suitable for jewelry stores, boutiques, luxury goods stores, shopping malls and other places that require concentrated lighting and accent lighting.

Parameter

Wattage	2W/Lamp
Lumen	65-80lm/W
Optics	30°
CCT	2700K ~ 6000K
Material	Die-cast Aluminum
Dimming	Non/TRIAC/0~10V
Finish	White/Black/Silver

Ceiling Cut Hole

Lamp	1 Lamp	2 Lamps	5 Lamps	10 Lamps	15 Lamps
Cut-out Size	1 ³ / ₈ " x 1 ³ / ₈ " (35x 35mm)	1 ³ / ₈ " x 2 ¹ / ₂ " (35x 64mm)	1 ¹ / ₂ " x 5 ¹ / ₂ " (37x 141mm)	1 ¹ / ₂ " x 10 ³ / ₄ " (37x 274mm)	1 ¹ / ₂ " x 16" (37x 406mm)



MINI MULTIPLE DOWNLIGHT



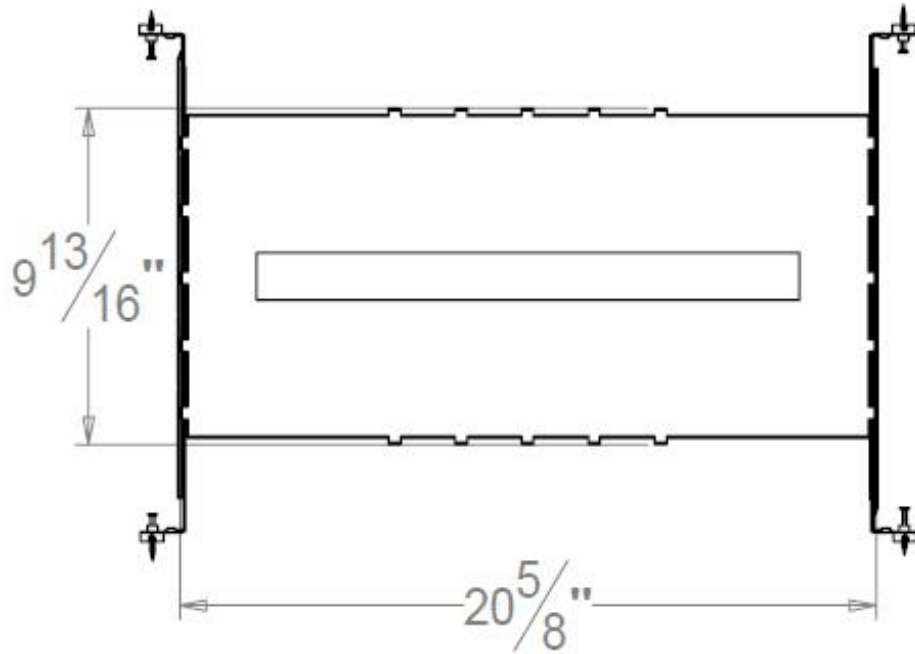
Liteharbor Lighting Technology Co., Ltd.
New Industry Area Hecun Danzao Town
Nanhai Foshan City Guangdong China

TEL: +86-757-8180 8687
FAX: +86-757-8180 8685
E-mail: info@liteharbor.com

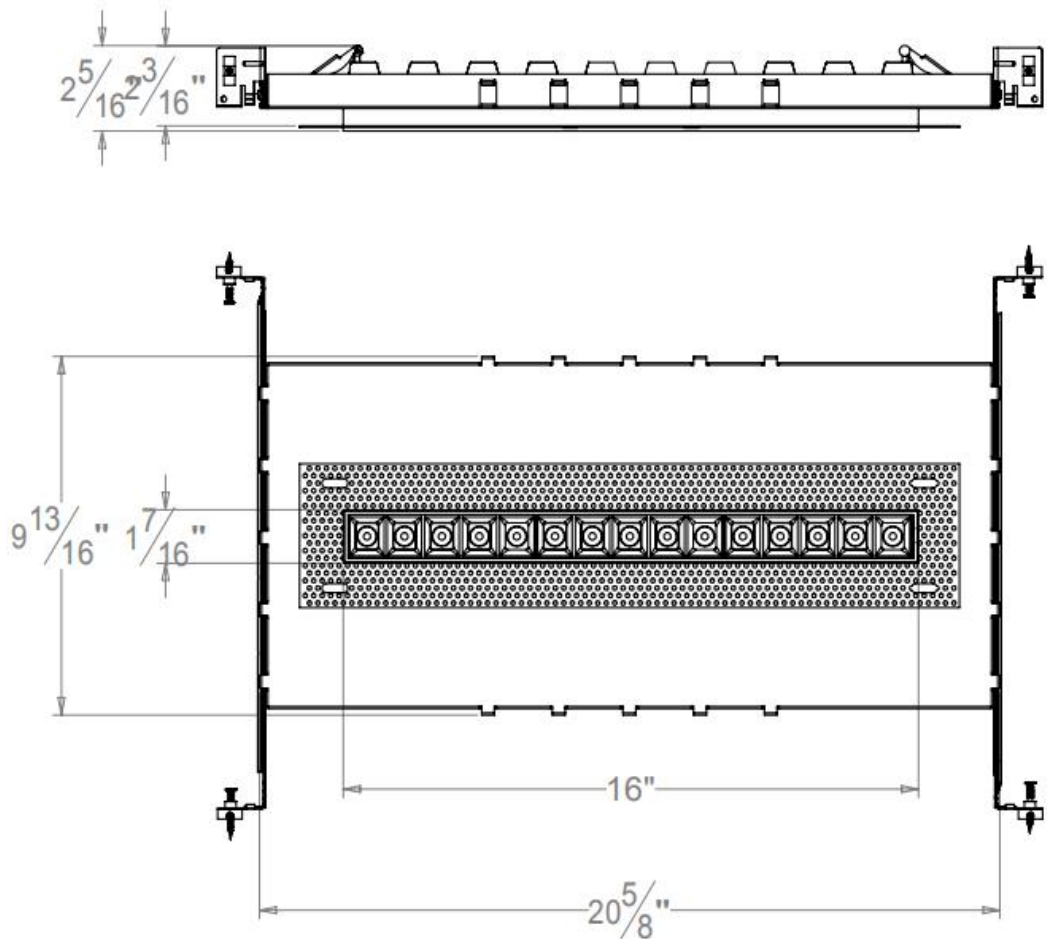
Website: www.liteharbor.com
Specifications subject to change w/o notice
Revision: Jun. 2019

Dimensions

① Trimmed:



② Trimless:



MINI MULTIPLE DOWNLIGHT



Liteharbor Lighting Technology Co., Ltd.
 New Industry Area Hecun Danzao Town
 Nanhai Foshan City Guangdong China

TEL: +86-757-8180 8687
 FAX: +86-757-8180 8685
 E-mail: info@liteharbor.com

Website: www.liteharbor.com
 Specifications subject to change w/o notice
 Revision: Jun. 2019

Trim Option



① Trimmed



② Trimless

Ordering Guide

Series/Lumen	Input Voltage	CCT/CRI	Dimming	Trim
<input type="checkbox"/> G4013A-15-NC/2200lm New Construction Mini LED Multiple Downlight	<input type="checkbox"/> 120V <input type="checkbox"/> 230V <input type="checkbox"/> 277V <input type="checkbox"/> 120-277V AC	<input type="checkbox"/> 3000K/90+ <input type="checkbox"/> 4000K/90+ <input type="checkbox"/> 5000K/90+	<input type="checkbox"/> Non-dimming <input type="checkbox"/> TRIAC Dimming <input type="checkbox"/> 0~10V Dimming	<input type="checkbox"/> Trimmed <input type="checkbox"/> Trimless
Finish	Reflector			
<input type="checkbox"/> White <input type="checkbox"/> Black <input type="checkbox"/> Silver	<input type="checkbox"/> White <input type="checkbox"/> Black <input type="checkbox"/> Chrome <input type="checkbox"/> Gold			

*Other special requirements please confirm with our factory

Notes:

1. In order to ensure normal operation of the product, please ensure that the voltage used is within the marked voltage range.
2. Please install and use the product in the correct way.
3. Please turn off the power to avoid the risk of electric shock when installing or removing product.
4. Do not look directly at LED light source for a long time, high intensity light source may cause eye injury.
5. If you find any of the following problems, please ask a qualified electrician for repair service. Do not disassemble it at will:
 - ① When the product produces odorous gas, abnormal sound or unusual flashing.
 - ② When the shell is damaged and foreign bodies invade the interior.



Liteharbor Lighting Technology Co., Ltd.

New Industry Area Hecun Danzao Town

Nanhai Foshan City Guangdong China

TEL: +86-757-8180 8687

FAX: +86-757-8180 8685

E-mail: info@liteharbor.com

Website: www.liteharbor.com

Specifications subject to change w/o notice

Revision: Jun. 2019

